

METER ADDRESS: 4891 HIGHWAY 5 - FP J1P

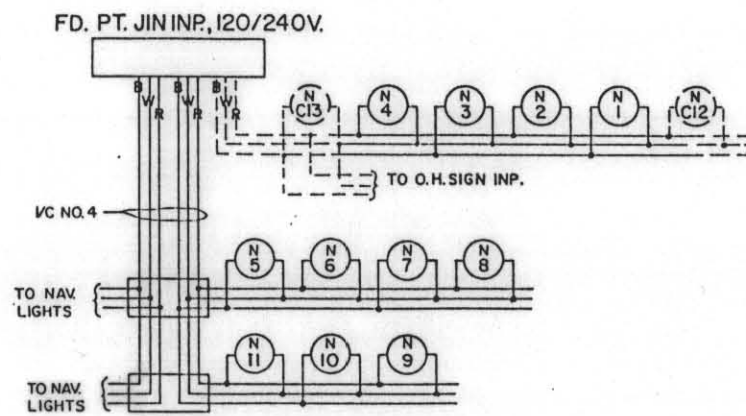
FD. PT. JIN, 120/240V.
LIGHT STANDARDS & BASES

NO.	STATION	LT.	RT.	LOCATION	TYPE
1	1117+07	-	-	W. 7TH ST.	9-40
2	1115+00	-	-		
3	1113+10	-	-		
4	1110+00	-	-		9-40
(1) 5	1108+25	-	-		6B-40
(1) 6	1104+40	-	-		
(1) 7	1100+70	-	-		
(1) 8	1096+50	-	-		
(1) 9	1098+80	-	-		
(1) 10	1102+70	-	-		
(1) 11	1106+05	-	-	W. 7TH ST.	6B-40
C12	14+70 INP.			STREET B-B	6-30
C13	8+20 INP.			MISS. R. BLVD	6-30

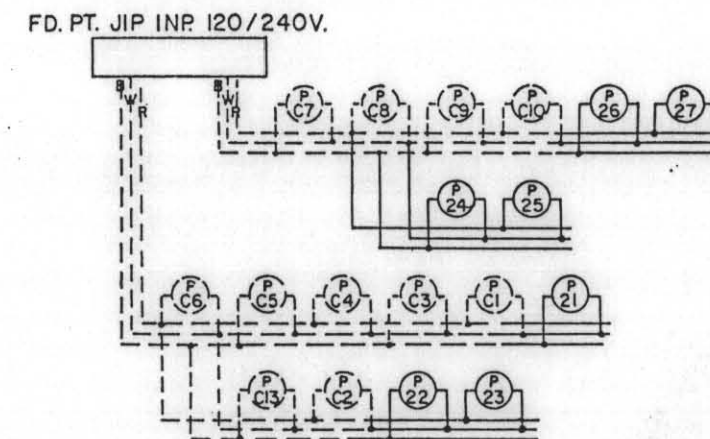
(1) BR. MOUNTED

LOCATE LIGHT STANDARDS 9' BEHIND FACE OF CURB OR EDGE OF SHOULDER OR AS DIRECTED BY THE ENGINEER.

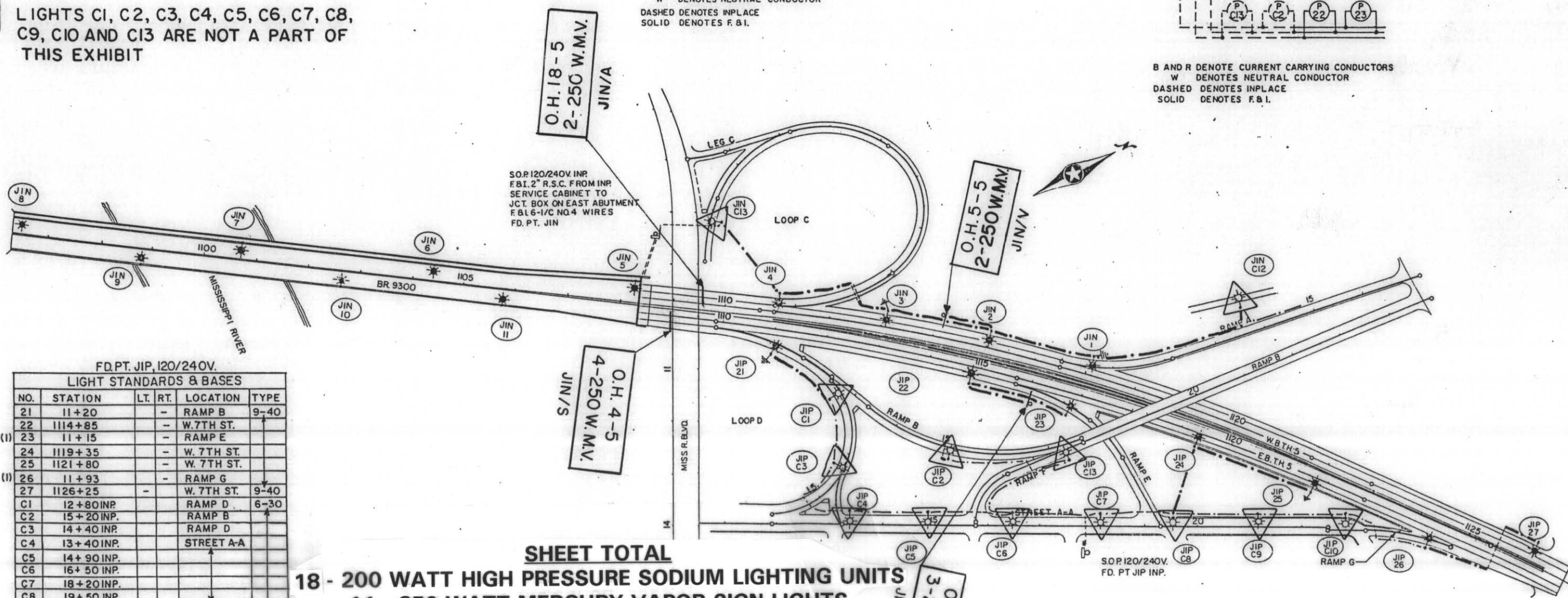
⚡ LIGHTS C1, C2, C3, C4, C5, C6, C7, C8, C9, C10 AND C13 ARE NOT A PART OF THIS EXHIBIT



B AND R DENOTE CURRENT CARRYING CONDUCTORS
W DENOTES NEUTRAL CONDUCTOR
DASHED DENOTES INPLACE
SOLID DENOTES F. & I.



B AND R DENOTE CURRENT CARRYING CONDUCTORS
W DENOTES NEUTRAL CONDUCTOR
DASHED DENOTES INPLACE
SOLID DENOTES F. & I.



FD. PT. JIP, 120/240V.
LIGHT STANDARDS & BASES

NO.	STATION	LT.	RT.	LOCATION	TYPE
21	11+20	-	-	RAMP B	9-40
22	1114+85	-	-	W. 7TH ST.	
(1) 23	11+15	-	-	RAMP E	
(1) 24	1119+35	-	-	W. 7TH ST.	
(1) 25	1121+80	-	-	W. 7TH ST.	
(1) 26	11+93	-	-	RAMP G	
(1) 27	1126+25	-	-	W. 7TH ST.	9-40
C1	12+80 INP.			RAMP D	6-30
C2	15+20 INP.			RAMP B	
C3	14+40 INP.			RAMP D	
C4	13+40 INP.			STREET A-A	
C5	14+90 INP.				
C6	16+50 INP.				
C7	18+20 INP.				
C8	19+50 INP.				
C9	21+15 INP.			STREET A-A	
C10	10+27 INP.			RAMP G	
C13	17+27 INP.			RAMP F	6-30

(1) DESIGN E LIGHT BASE INP.

LOCATE LIGHT STANDARDS 9' BEHIND FACE OF CURB OR EDGE OF SHOULDER OR AS DIRECTED BY THE ENGINEER.

SHEET TOTAL
18 - 200 WATT HIGH PRESSURE SODIUM LIGHTING UNITS
11 - 250 WATT MERCURY VAPOR SIGN LIGHTS

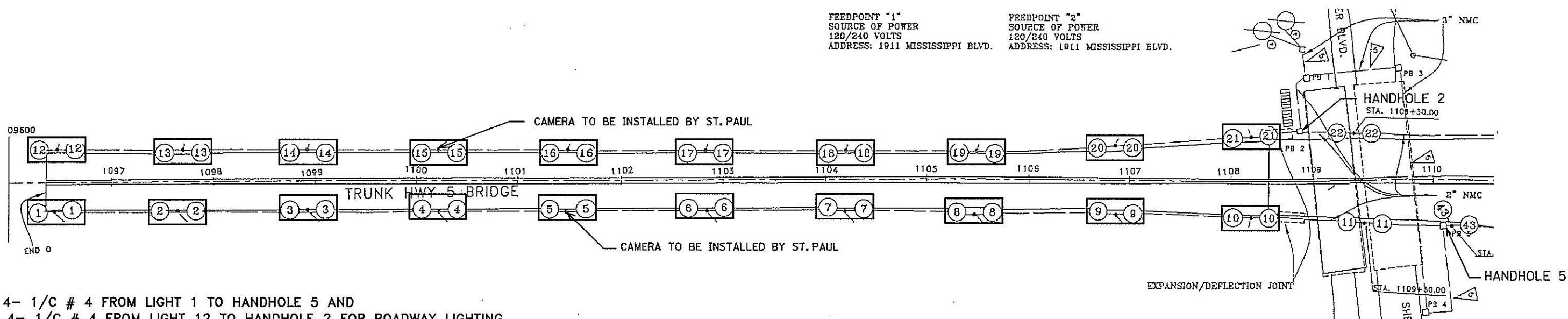
EXHIBIT 19C
W 7th St and BR. 9300

LEGEND

(X) (X) SALVAGE LIGHTING UNIT PRIOR TO CONSTRUCTION
 INSTALL LIGHTING UNIT AFTER CONSTRUCTION

FEEDPOINT "1"
 SOURCE OF POWER
 120/240 VOLTS
 ADDRESS: 1911 MISSISSIPPI BLVD.

FEEDPOINT "2"
 SOURCE OF POWER
 120/240 VOLTS
 ADDRESS: 1911 MISSISSIPPI BLVD.



F. & I. 4- 1/C # 4 FROM LIGHT 1 TO HANDHOLE 5 AND
 4- 1/C # 4 FROM LIGHT 12 TO HANDHOLE 2 FOR ROADWAY LIGHTING

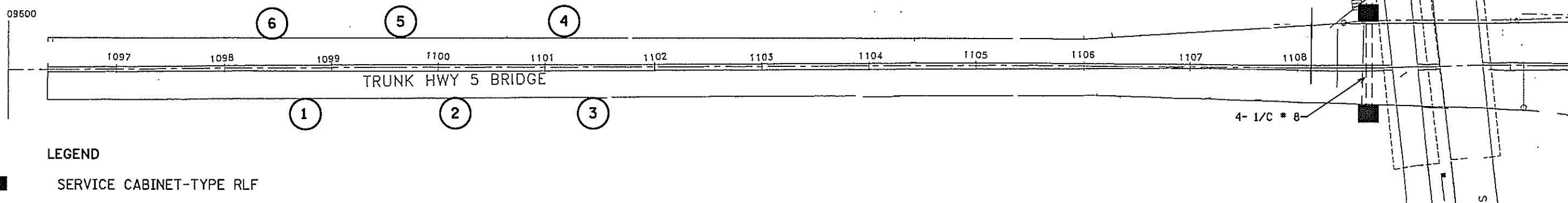
F. & I. 2- 1/C # 10 FROM LIGHT 5 TO HANDHOLE 5 AND
 2- 1/C # 10 FROM LIGHT 15 TO HANDHOLE 2 FOR CAMARAS

ROADWAY LIGHTING

PLOTTED/REVISED: 9/22/2014

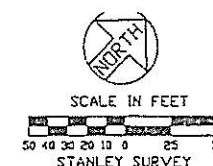
DISTRICT #: METRO
 IPLOT NAME: gatewaywire
 PATH & FILENAME: IP_FWP-d1580463gatewaywire.dgn

MN/DOT FEEDPOINT JIN
 120/240 VOLT
 SERVICE CABINET TYPE RLF
 EQUIPMENT PAD
 2" RSC & 3-1/C*2 TO TRANSFORMER



LEGEND

■ SERVICE CABINET-TYPE RLF
 ■ HANDHOLE
 --- 2" P.V.C. UNLESS NOTED OTHERWISE
 (X) NAVIGATION LIGHT



NAVIGATION LIGHTING

BY	DATE	LOCATION: T.H. 5 AT BR. 9300	LIGHTING PLAN
DRAWN BY: GB	CKD BY: PB	CERTIFIED BY: <i>Michael P. Selinsky</i> LICENSED PROFESSIONAL ENGINEER	STATE PROJ. NO. 6201-86 (T.H.5) SHEET NO. L2 OF L3 SHEETS
	DATE: 9/22/2014	LIC. NO. 19863	