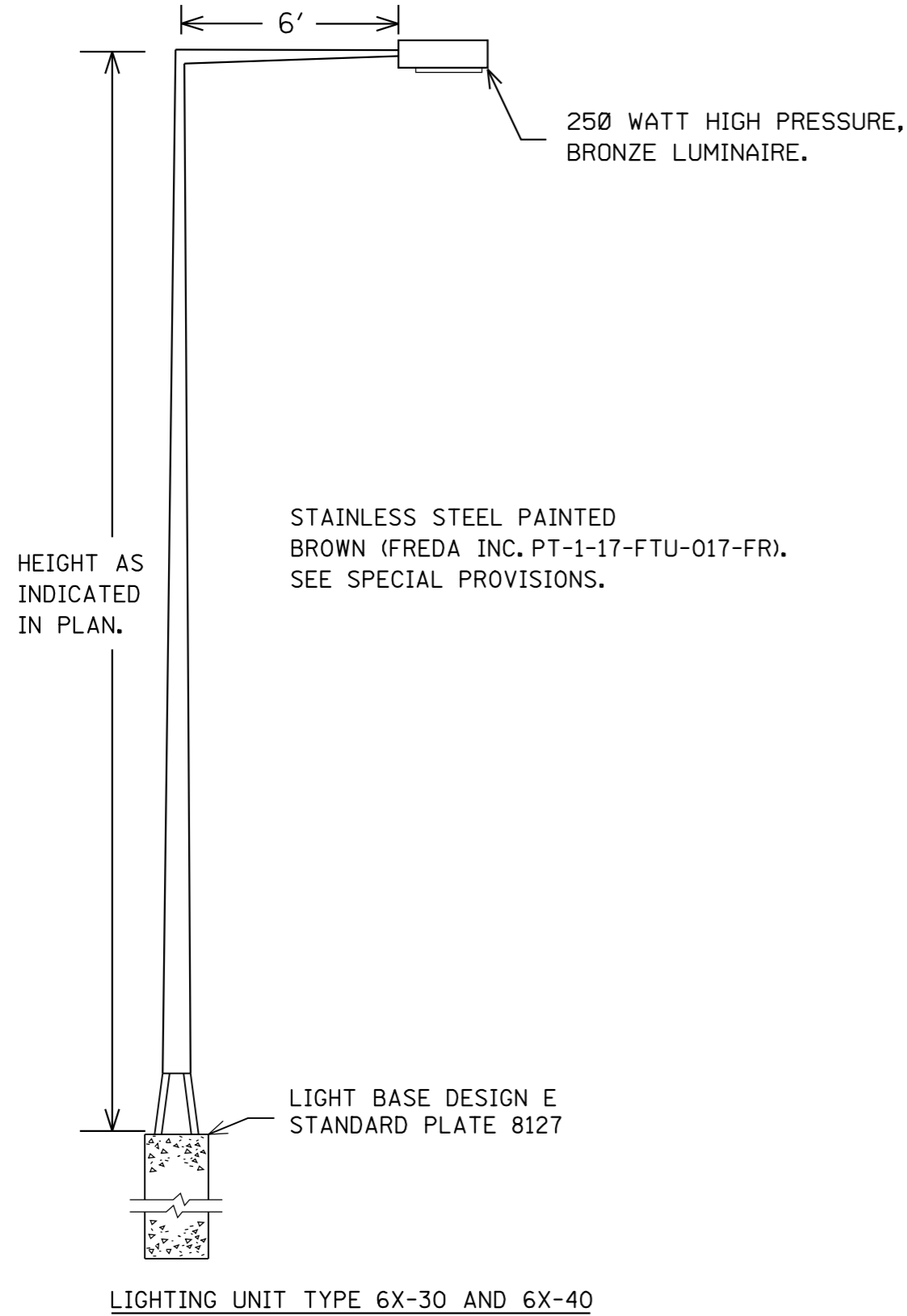


PLOTTED/REVISED: 4/16/2010

DISTRICT #: METRO
 IPLOT NAME: 18214-145-1173
 PATH & FILENAME: IP_PWP-d\1594\3\8214-145-1173.dgn

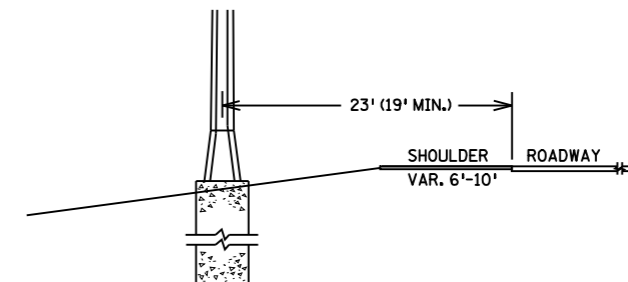


LUMINAIRES
 LUMINAIRES SHALL BE 120-240 VOLT
 WITH NO PHOTO CELL.

LAMPS
 EXTENDED LIFE LAMPS REQUIRED.

LUMINAIRE SHIELD
 LUMINAIRES NOTED ON SHEET 168 SHALL
 HAVE A HOUSE SHIELD EXTERNAL,
 PLACED AS INDICATED.

USE THE MAXIMUM DISTANCE WHENEVER POSSIBLE,
 IF THE MINIMUM DISTANCE CANNOT BE OBTAINED
 CONTACT THE DISTRICT/DIVISION TRAFFIC ENGINEER.
 LIGHT BASES SHALL BE FURNISHED IN ACCORDANCE
 WITH 2545.3F2. DISTANCES SHALL BE MEASURED FROM
 THE EDGE OF DRIVING LANE OR TURN LANE.



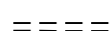
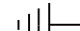



PLACEMENT LIGHTING UNIT TYPE 6X-40

BY	DATE	REVISIONS
DRAWN BY:	PB	CKD BY: GB DATE:

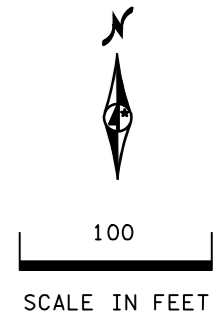
CERTIFIED BY *Michael P. Gubensky* LIC. NO. 19863 DATE: 4/16/2010
LICENSED PROFESSIONAL ENGINEER

LEGEND

-  LIGHTING UNIT
-  ARMORED CABLE 4 COND NO. 4
-  3" NON-METALLIC CONDUIT (DIRECTIONAL BORE), UNLESS OTHERWISE NOTED.
-  PERMANENT GROUND ROD (25 OHMS OR LESS)
-  HANDHOLE

FEEDPOINT 82R1 LIGHTING STANDARDS AND BASES

NO.	STATION	LT.	RT.	LOCATION	TYPE	WATTAGE
(1) 1	476 + 50		X	E.B. T.H. 5	6X - 40	250
2	478 + 90		X	E.B. T.H. 5		
3	189 + 05	X		S.B. STILLWATER BLVD.		
4	187 + 70		X	N.B. STILLWATER BLVD.		
5	483 + 05		X	E.B. T.H. 5		
6	486 + 15	X		W.B. T.H. 5		
(1) 7	483 + 75	X		W.B. T.H. 5		
8	AS SHOWN			EAST ISLAND		
(1) 9	10 + 20		X	N.B. EXIT	6X - 40	
(1) 10	11 + 65	X		S.B. JAMACA	6X - 30	
11	AS SHOWN			WEST ISLAND	6X - 40	
(1) 12	478 + 85	X		W.B. T.H. 5	6X - 40	250

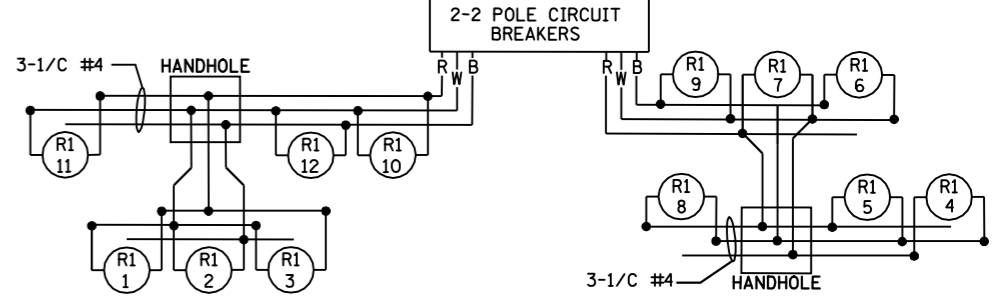
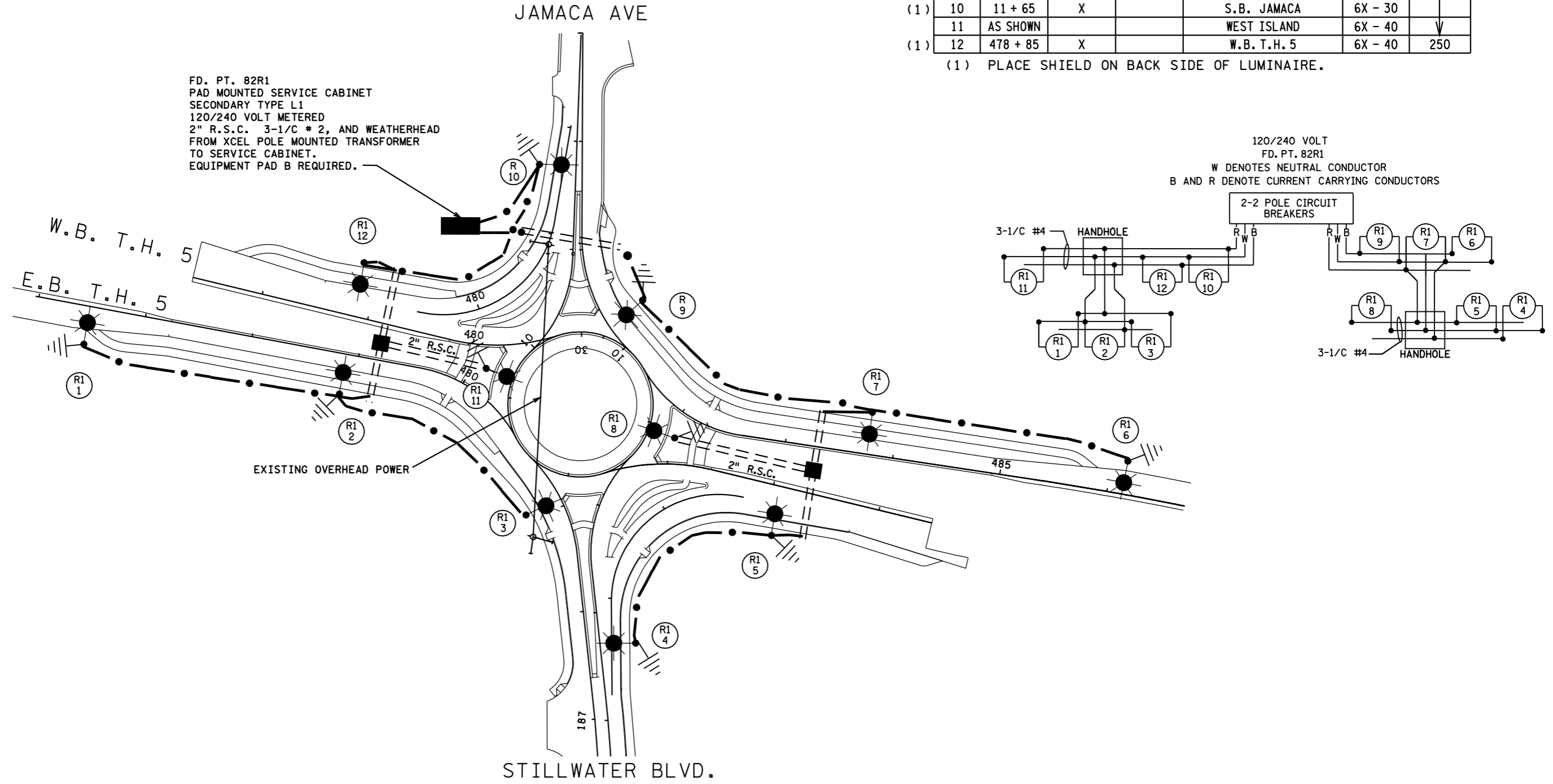


(1) PLACE SHIELD ON BACK SIDE OF LUMINAIRE.

FD. PT. 82R1
PAD MOUNTED SERVICE CABINET
SECONDARY TYPE L1
120/240 VOLT METERED
2" R.S.C. 3-1/C # 2, AND WEATHERHEAD
FROM XCEL POLE MOUNTED TRANSFORMER
TO SERVICE CABINET.
EQUIPMENT PAD B REQUIRED.

120/240 VOLT
FD. PT. 82R1
W DENOTES NEUTRAL CONDUCTOR
B AND R DENOTE CURRENT CARRYING CONDUCTORS

2-2 POLE CIRCUIT
BREAKERS



FEED POINT 82R1

LIGHTING PLAN

FEEDPOINT: 82R1 LOCATION: JAMACA AVE. N.
METER ADDRESS: TBD

CERTIFIED BY *Michael P. Lubensky* LIC. NO. 19863 DATE: 4/16/2010
LICENSED PROFESSIONAL ENGINEER

STATE PROJ. NO. 8214-145 (T.H.5) SHEET NO. 168 OF 199 SHEETS

BY	DATE
DRAWN BY: PB	CKD BY: GB DATE:

DISTRICT #: METRO
 IPLOT NAME: 18214-145.J114
 PATH & FILENAME: IP_PWP-d\1594\3\8214-145_l1r.dgn
 PLOTTED/REVISED: 4/16/2010