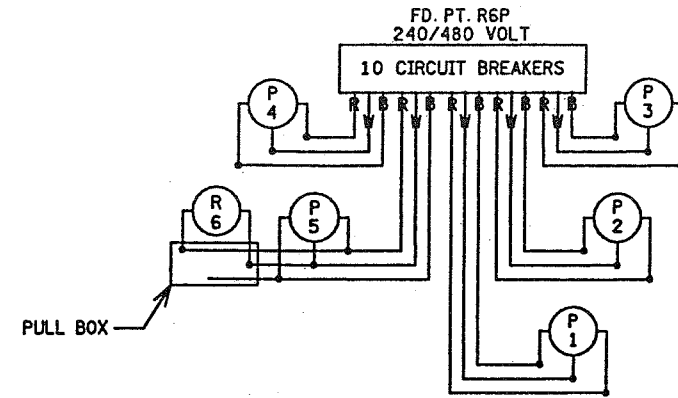


Sheet Totals

- 30 - 1000 Watt High Pressure Sodium Lighting Units
- 2 - 200 Watt High Pressure Sodium Underpass Lights
- 4 - 175 Watt Mercury Vapor Sign Lights

FEED POINT R6P

LIGHTING STANDARDS AND BASES					
NO.	STATION	LT.	RT.	LOCATION	TYPE
1	1203+20	46'		T.H 5 W.B.	3-100
2	1197+00	56'		T.H 5 W.B.	3-100
3	1359+75	100'		T.H 212 W.B.	3-100
4	1354+70	72'		T.H 212 W.B.	3-100
5	13+10	50'		RAMP E	3-100
6	AS SHOWN	-		T.H 212 W.B.	L



B AND R DENOTE CURRENT CARRYING CONDUCTORS
W DENOTES NEUTRAL CONDUCTOR

MAY 17 2001

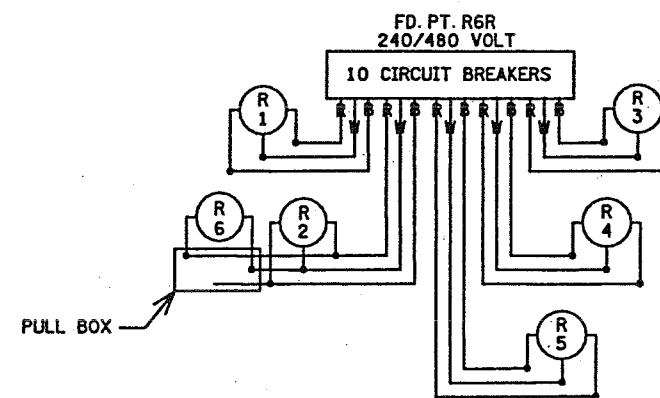
COPY

PAD MOUNTED SOURCE OF POWER
SERVICE PANEL SECONDARY TYPE L2
EQUIPMENT PAD A REQUIRED.
POWER BY NSP CO.
FD. PT. R6P, 240/480 V. (METERED)

R6R
A
OH 2-212
4-175W. M.V.

FEED POINT R6R

LIGHTING STANDARDS AND BASES					
NO.	STATION	LT.	RT.	LOCATION	TYPE
1	1345+00	75'		T.H 212 E.B.	3-100
2	14+50	40'		RAMP F	3-100
3	20+00	120'		RAMP F	3-100
4	1362+20	66'		T.H 212 E.B.	3-100
5	10+60	40'		RAMP H	3-100
6	AS SHOWN	-		T.H 212 E.B.	L



B AND R DENOTE CURRENT CARRYING CONDUCTORS
W DENOTES NEUTRAL CONDUCTOR

EXHIBIT 335
TH 212 AND WALLACE ROAD
XCEL ENERGY
METERED

FD PT R06P, R06R