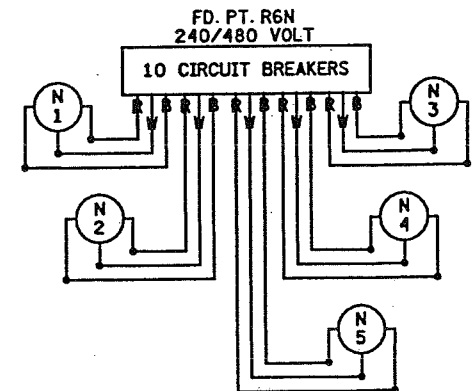
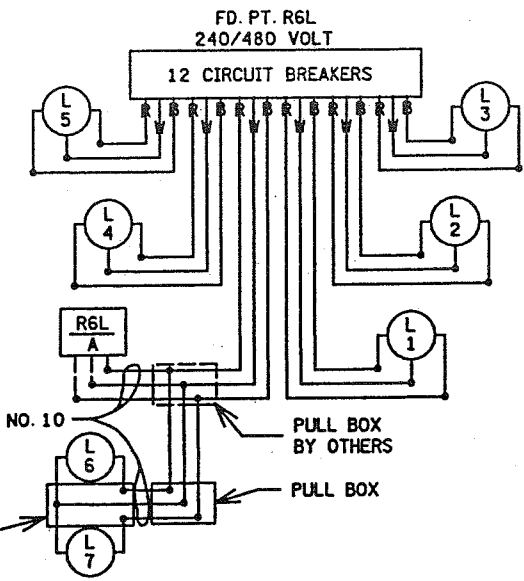
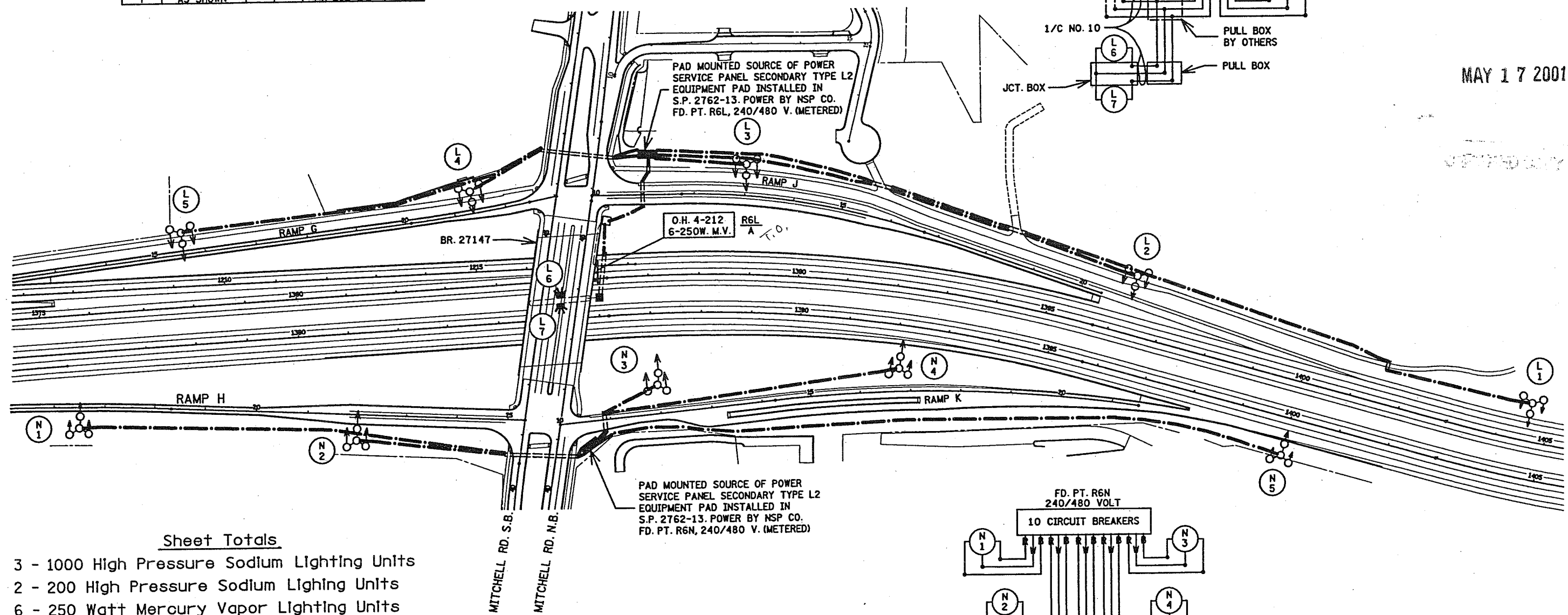


FEED POINT R6L

| LIGHTING STANDARDS AND BASES |          |      |     |              |       |  |
|------------------------------|----------|------|-----|--------------|-------|--|
| NO.                          | STATION  | LT.  | RT. | LOCATION     | TYPE  |  |
| 1                            | 1404+60  | 85'  |     | T.H 212 W.B. | 3-100 |  |
| 2                            | 1396+30  | 112' |     | T.H 212 W.B. | 3-100 |  |
| 3                            | 13+00    | 60'  |     | RAMP J       | 3-100 |  |
| 4                            | 21+35    | 42'  |     | RAMP G       | 3-100 |  |
| 5                            | 15+60    | 48'  |     | RAMP G       | 3-100 |  |
| 6                            | AS SHOWN | -    |     | T.H 212 W.B. | L     |  |
| 7                            | AS SHOWN | -    |     | T.H 212 E.B. | L     |  |



MAY 17 2001

Sheet Totals

- 3 - 1000 High Pressure Sodium Lighting Units
- 2 - 200 High Pressure Sodium Lighting Units
- 6 - 250 Watt Mercury Vapor Lighting Units

Grand Totals

- 66 - 1000 Watt High Pressure Sodium Lighting Units
- 4 - 200 Watt High Pressure Sodium Lighting Units
- 6 - 250 Watt Mercury Vapor Sign Lights
- 4 - 175 Watt Mercury Vapor Sign Lights

FEED POINT R6N

| LIGHTING STANDARDS AND BASES |         |     |     |              |       |  |
|------------------------------|---------|-----|-----|--------------|-------|--|
| NO.                          | STATION | LT. | RT. | LOCATION     | TYPE  |  |
| 1                            | 16+50   | 40' |     | RAMP H       | 3-100 |  |
| 2                            | 22+00   | 65' |     | RAMP H       | 3-100 |  |
| 3                            | 12+00   | 58' |     | RAMP K       | 3-100 |  |
| 4                            | 1392+10 | 85' |     | T.H 212 E.B. | 3-100 |  |
| 5                            | 1400+00 | 75' |     | T.H 212 E.B. | 3-100 |  |

B AND R DENOTE CURRENT CARRYING CONDUCTORS  
W DENOTES NEUTRAL CONDUCTOR

EXHIBIT 335  
TH 212 AND MITCHELL ROAD  
XCEL ENERGY  
METERED

FD PT R06N, R06L

F.P. R06N -  
Meter Address: F.P. R06L - 7735 Mitchell Road