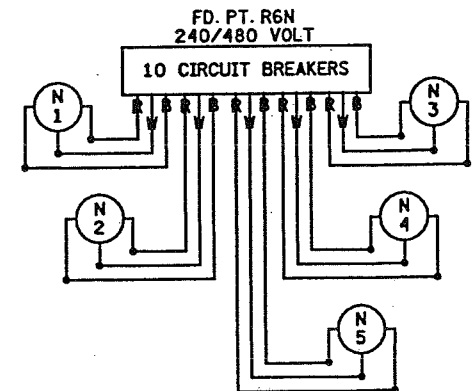
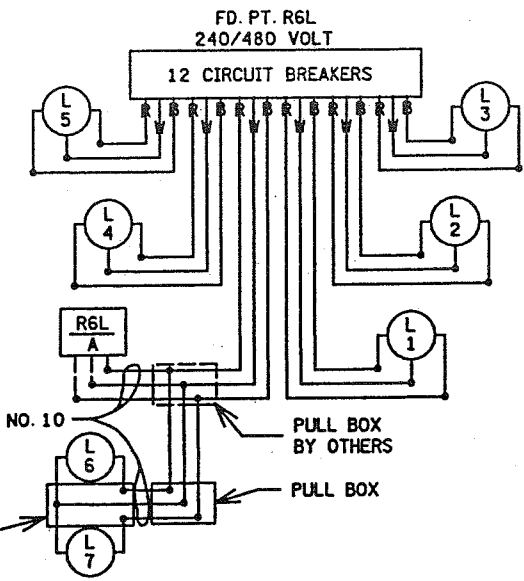
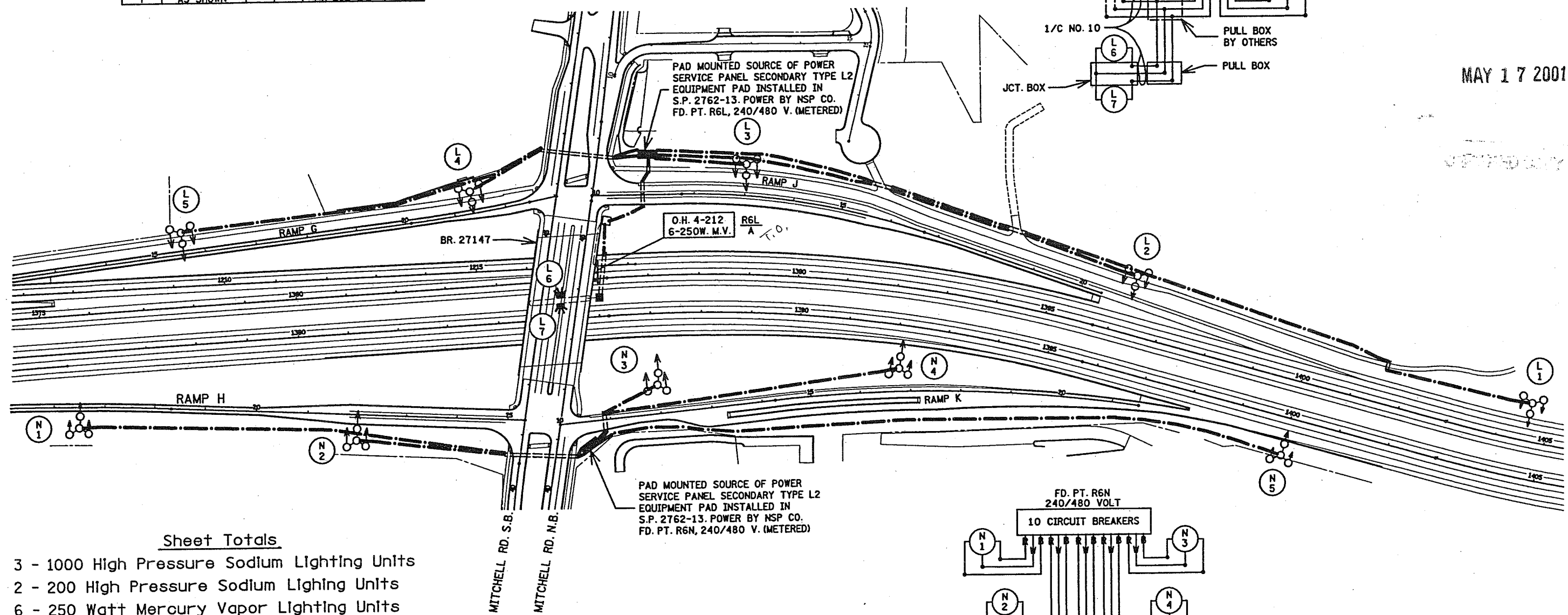


FEED POINT R6L

LIGHTING STANDARDS AND BASES						
NO.	STATION	LT.	RT.	LOCATION	TYPE	
1	1404+60	85'		T.H 212 W.B.	3-100	
2	1396+30	112'		T.H 212 W.B.	3-100	
3	13+00	60'		RAMP J	3-100	
4	21+35	42'		RAMP G	3-100	
5	15+60	48'		RAMP G	3-100	
6	AS SHOWN	-		T.H 212 W.B.	L	
7	AS SHOWN	-		T.H 212 E.B.	L	



MAY 17 2001

Sheet Totals

- 3 - 1000 High Pressure Sodium Lighting Units
- 2 - 200 High Pressure Sodium Lighting Units
- 6 - 250 Watt Mercury Vapor Lighting Units

Grand Totals

- 66 - 1000 Watt High Pressure Sodium Lighting Units
- 4 - 200 Watt High Pressure Sodium Lighting Units
- 6 - 250 Watt Mercury Vapor Sign Lights
- 4 - 175 Watt Mercury Vapor Sign Lights

FEED POINT R6N

LIGHTING STANDARDS AND BASES						
NO.	STATION	LT.	RT.	LOCATION	TYPE	
1	16+50	40'		RAMP H	3-100	
2	22+00	65'		RAMP H	3-100	
3	12+00	58'		RAMP K	3-100	
4	1392+10	85'		T.H 212 E.B.	3-100	
5	1400+00	75'		T.H 212 E.B.	3-100	

B AND R DENOTE CURRENT CARRYING CONDUCTORS
W DENOTES NEUTRAL CONDUCTOR

EXHIBIT 335
TH 212 AND MITCHELL ROAD
XCEL ENERGY
METERED

FD PT R06N, R06L

F.P. R06N -
Meter Address: F.P. R06L - 7735 Mitchell Road