

LEGEND

- PAD MOUNTED SOURCE OF POWER (240/480 V.)
- HIGH MAST LIGHTING UNIT WITH 3 LUMINAIRES
- ⊠ 200 WATT HIGH PRESSURE SODIUM UNDERPASS LIGHTING UNIT
- ==== 3' R.S.C. EXCEPT AS NOTED 2' R.S.C.
- DIRECT BURIED POWER CABLE 3 CONDUCTOR NO. 4 AWG - SPEC NO. 3804 & 3805

SHEET TOTALS
 36-1000 WATT HIGH PRESSURE SODIUM LIGHTING UNITS
 2-200 WATT HIGH PRESSURE SODIUM UNDERPASS LIGHTS
 14-250 WATT MERCURY VAPOR SIGN LIGHTS



FD. PT. R6F

LIGHTING STANDARDS AND BASES					
NO.	STATION	LT.	RT.	LOCATION	TYPE
(1)	1	1432+40	80'	T.H. 212 W.B.	3-100
(2)	2	1427+20	105'	T.H. 212 W.B.	3-100
(2)	3	1421+05	66'	T.H. 212 W.B.	3-100
(1)	4	23+55	55'	RAMP B2	3-100
(1)	5	18+50	40'	RAMP A	3-100

- (1) ASYMMETRICAL LUMINAIRES REQUIRED
 - (2) SYMMETRICAL LUMINAIRES REQUIRED
- ORIENT ASYMMETRICAL LUMINAIRES IN DIRECTION OF ARROWS

FD. PT. R6J

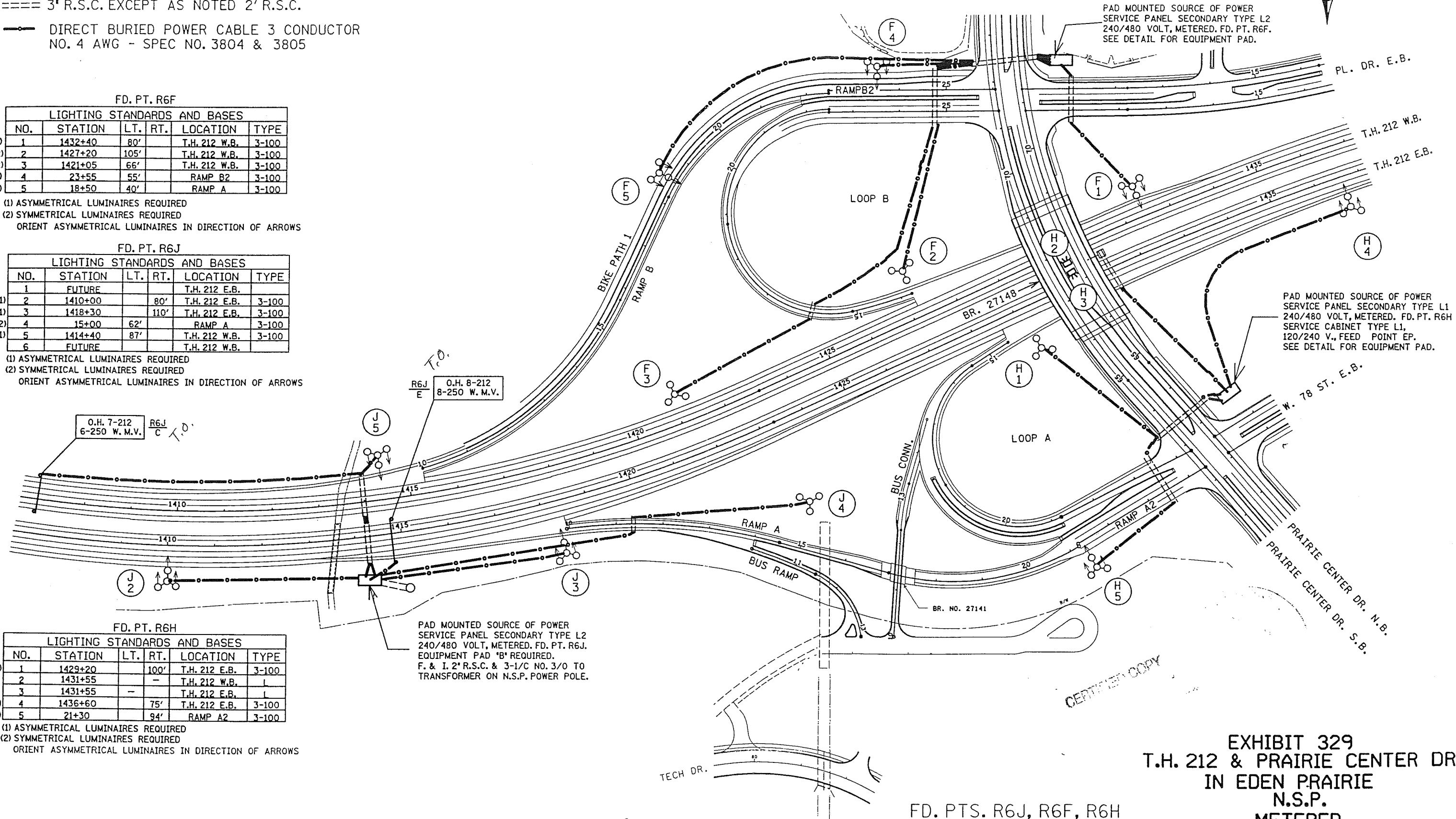
LIGHTING STANDARDS AND BASES					
NO.	STATION	LT.	RT.	LOCATION	TYPE
	1	FUTURE		T.H. 212 E.B.	
(1)	2	1410+00	80'	T.H. 212 E.B.	3-100
(1)	3	1418+30	110'	T.H. 212 E.B.	3-100
(1)	4	15+00	62'	RAMP A	3-100
(2)	5	1414+40	87'	T.H. 212 W.B.	3-100
	6	FUTURE		T.H. 212 W.B.	

- (1) ASYMMETRICAL LUMINAIRES REQUIRED
 - (2) SYMMETRICAL LUMINAIRES REQUIRED
- ORIENT ASYMMETRICAL LUMINAIRES IN DIRECTION OF ARROWS

FD. PT. R6H

LIGHTING STANDARDS AND BASES					
NO.	STATION	LT.	RT.	LOCATION	TYPE
(2)	1	1429+20	100'	T.H. 212 E.B.	3-100
	2	1431+55		T.H. 212 W.B.	I
	3	1431+55		T.H. 212 E.B.	I
(1)	4	1436+60	75'	T.H. 212 E.B.	3-100
(1)	5	21+30	94'	RAMP A2	3-100

- (1) ASYMMETRICAL LUMINAIRES REQUIRED
 - (2) SYMMETRICAL LUMINAIRES REQUIRED
- ORIENT ASYMMETRICAL LUMINAIRES IN DIRECTION OF ARROWS



PAD MOUNTED SOURCE OF POWER
 SERVICE PANEL SECONDARY TYPE L2
 240/480 VOLT, METERED. FD. PT. R6J.
 EQUIPMENT PAD 'B' REQUIRED.
 F. & I. 2' R.S.C. & 3-1/C NO. 3/0 TO
 TRANSFORMER ON N.S.P. POWER POLE.

PAD MOUNTED SOURCE OF POWER
 SERVICE PANEL SECONDARY TYPE L2
 240/480 VOLT, METERED. FD. PT. R6F.
 SEE DETAIL FOR EQUIPMENT PAD.

PAD MOUNTED SOURCE OF POWER
 SERVICE PANEL SECONDARY TYPE L1
 240/480 VOLT, METERED. FD. PT. R6H
 SERVICE CABINET TYPE L1,
 120/240 V., FEED POINT EP.
 SEE DETAIL FOR EQUIPMENT PAD.

CERTIFIED COPY

EXHIBIT 329
 T.H. 212 & PRAIRIE CENTER DR.
 IN EDEN PRAIRIE
 N.S.P.
 METERED

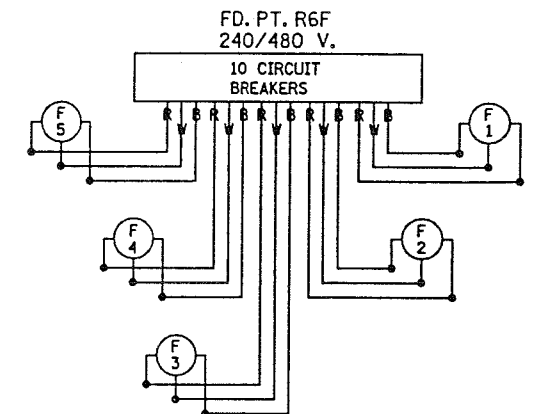
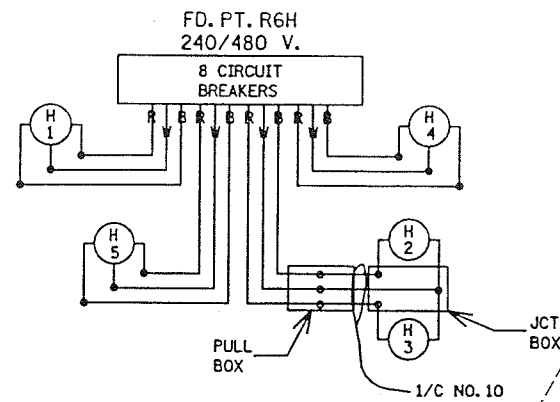
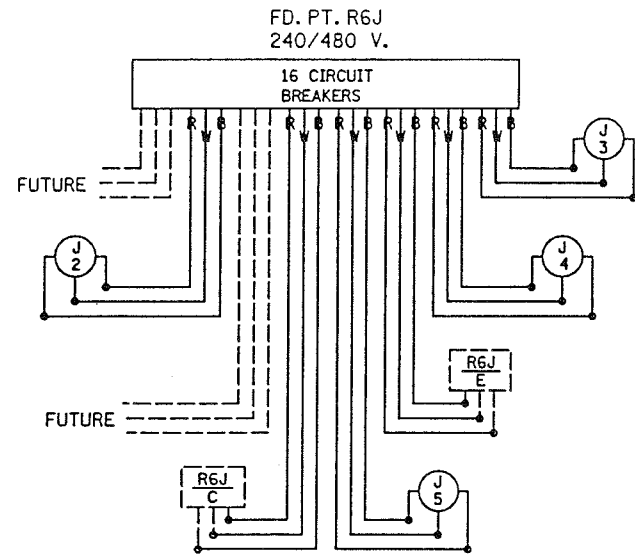
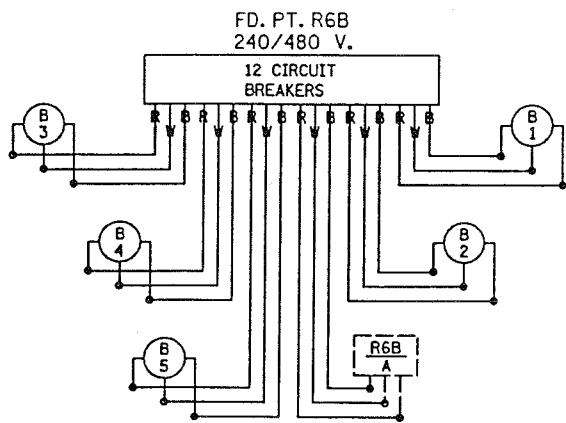
FD. PTS. R6J, R6F, R6H

FD. PT. R6B

LIGHTING STANDARDS AND BASES

NO.	STATION	LT.	RT.	LOCATION	TYPE
(2) 1	1456+90	115'		T.H. 212 W.B.	3-100
2	1449+95	77'		T.H. 212 W.B.	3-100
3	1441+25	66'		T.H. 212 W.B.	3-100
(1) 4	1445+60		66'	T.H. 212 E.B.	3-100
(1) 5	1453+20		96'	T.H. 212 E.B.	3-100

- (1) ASYMMETRICAL LUMINAIRES REQUIRED
 - (2) SYMMETRICAL LUMINAIRES REQUIRED
- ORIENT ASYMMETRICAL LUMINAIRES IN DIRECTION OF ARROWS



PAD MOUNTED SOURCE OF POWER
SERVICE PANEL SECONDARY TYPE L2
240/480 VOLT, METERED. FD. PT. R6B
EQUIPMENT PAD A REQUIRED.

R6B
A
O.H. 10-212
4-250 W.M.V.

SHEET TOTAL

15-1000 WATT HIGH PRESSURE SODIUM LIGHTING UNITS
4-250 WATT MERCURY VAPOR SIGN LIGHTS

GRAND TOTALS

51-1000 WATT HIGH PRESSURE SODIUM LIGHTING UNITS
2-200 WATT HIGH PRESSURE SODIUM UNDERPASS LIGHTS
18-250 WATT MERCURY VAPOR SIGN LIGHTS

EXHIBIT 329
T.H. 212 & PRAIRIE CENTER DR.
IN EDEN PRAIRIE
N.S.P.
METERED

FD. PT. R6B

CERTIFIED BY *Susan A. Lott*
PROFESSIONAL ENGINEER

REG. NO. 21180

State Proj. No. 2762-11 (T.H. 212)

Sheet No. 2 of 2 Sheets