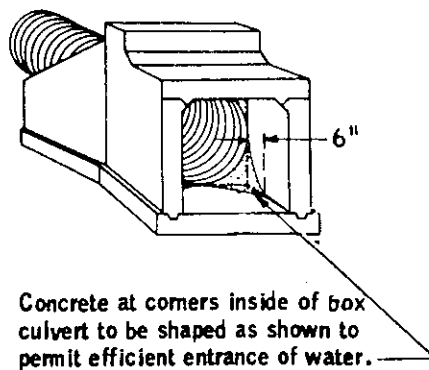
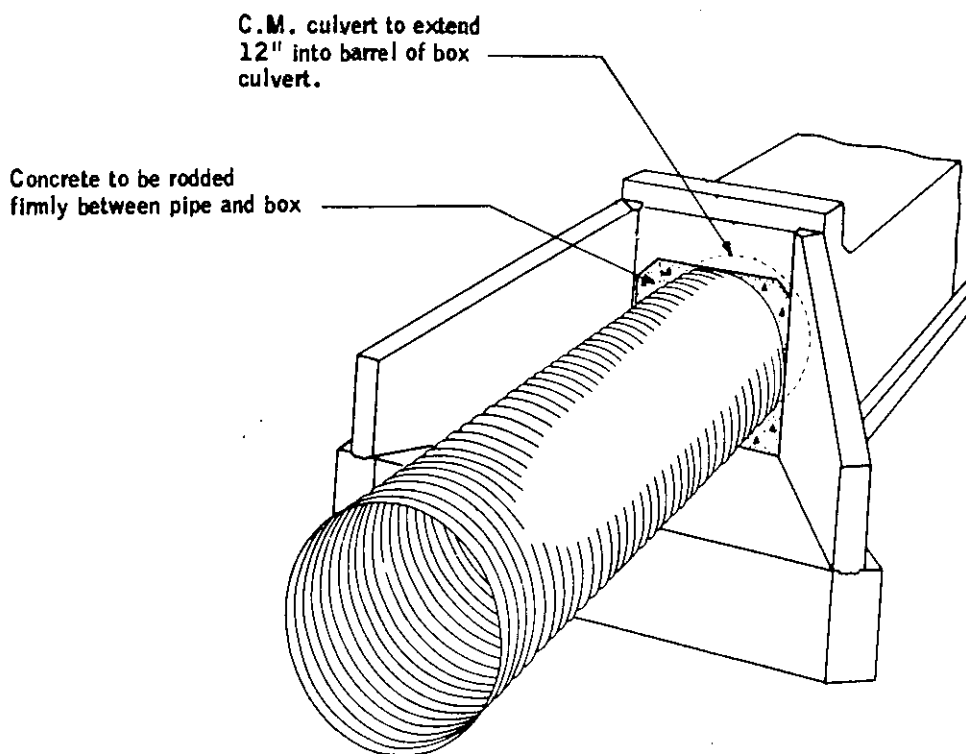


**EXPANDER DETAIL**



**INSIDE VIEW**



**PERSPECTIVE**

Spec. Ref. 2501

APPROVED Oct. 1, 1966

*W. A. Ekern*  
 ASSISTANT COMMISSIONER  
 ENGINEERING STANDARDS

STATE OF MINNESOTA  
 DEPARTMENT OF HIGHWAYS

**C.M. EXTENSION FOR BOX CULVERT**

STANDARD  
 PLATE  
 NO.

**3066A**