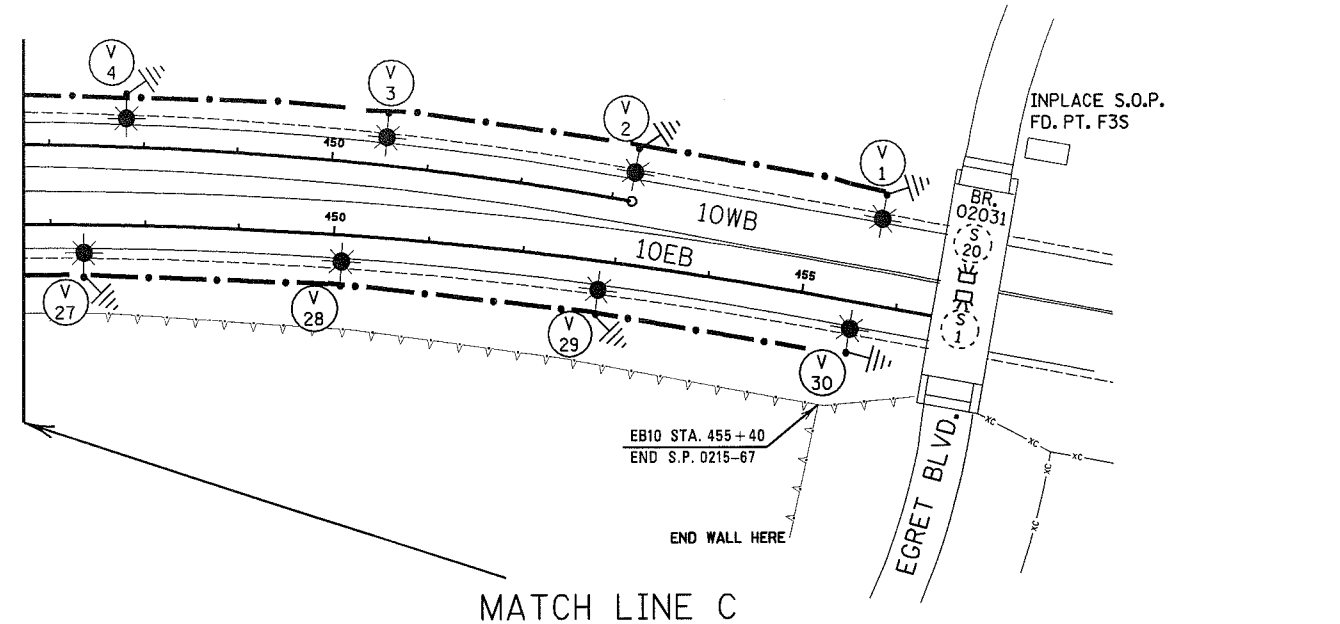


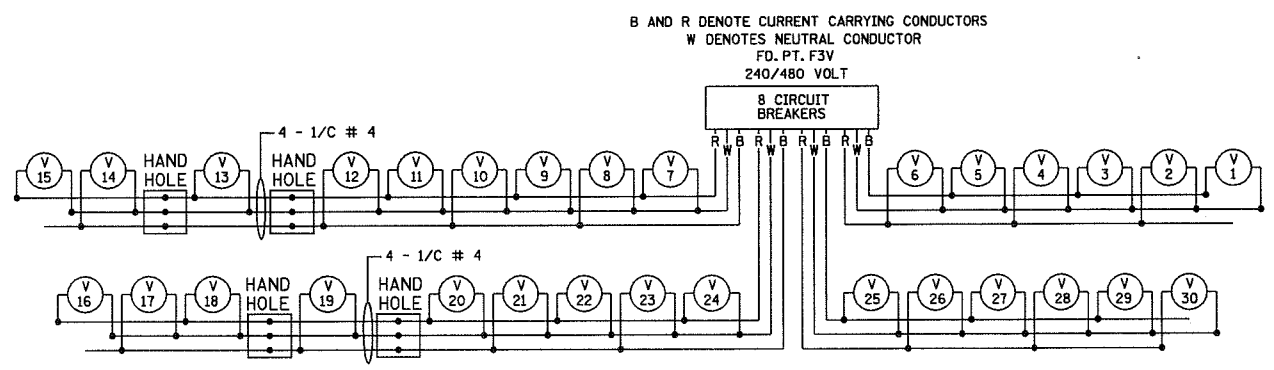
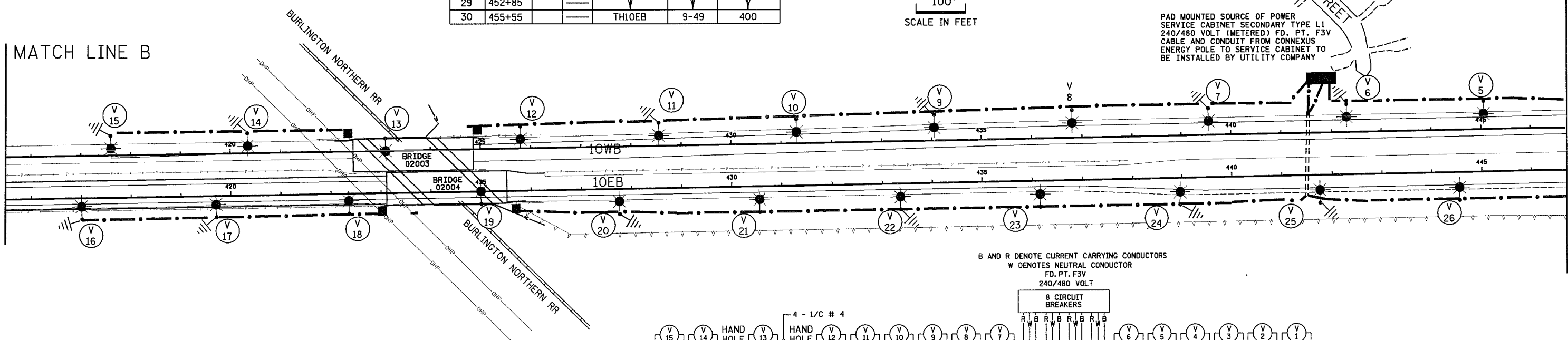
SEE LEGEND SHEET 175

FEEDPOINT F3V

LIGHTING STANDARDS AND BASES						
NO.	STA.	LT.	RT.	LOCATION	TYPE	WATTAGE
1	455+70			TH10WB	9-49	400
2	453+20					
3	450+55					
4	447+80					
5	445+05					
6	442+20					
7	439+55					
8	436+80					
9	434+05					
10	431+30					
11	428+55					
12	425+80				9-49	400
13	423+10				6B-40	250
14	420+35				9-49	400
15	417+60			TH10WB		
16	417+00			TH10EB		
17	419+70					
18	422+35				9-49	400
19	425+00				6B-40	250
20	427+75				9-49	400
21	430+55					
22	433+35					
23	436+15					
24	438+95					
25	441+75					
26	444+55					
27	447+35					
28	450+10					
29	452+85					
30	455+55			TH10EB	9-49	400



MATCH LINE B



FEEDPOINT F3V

LIGHTING PLAN

BY	DATE	REVISIONS	FEEDPOINT: F3V	LOCATION: TH10 & OLIVE STREET	
			METER ADDRESS:		
			CERTIFIED BY: <i>Michael P. Lubinsky</i>	LIC. NO. 19863	DATE:
DRAWN BY: NS	CKD BY: GB	DATE:		STATE PROJ. NO. 0215-67 (T.H. 10)	SHEET NO. 176 OF 222 SHEETS

DISTRICT #: METRO  
 IPLOT NAME: 10215-67\_101-2  
 PATH & FILENAME: c:\Project\wise\pw\_working\k\ut\er\10104134\0215-67\_101-2.lit.dgn  
 PLOTTED/REVISED: 3/4/2010