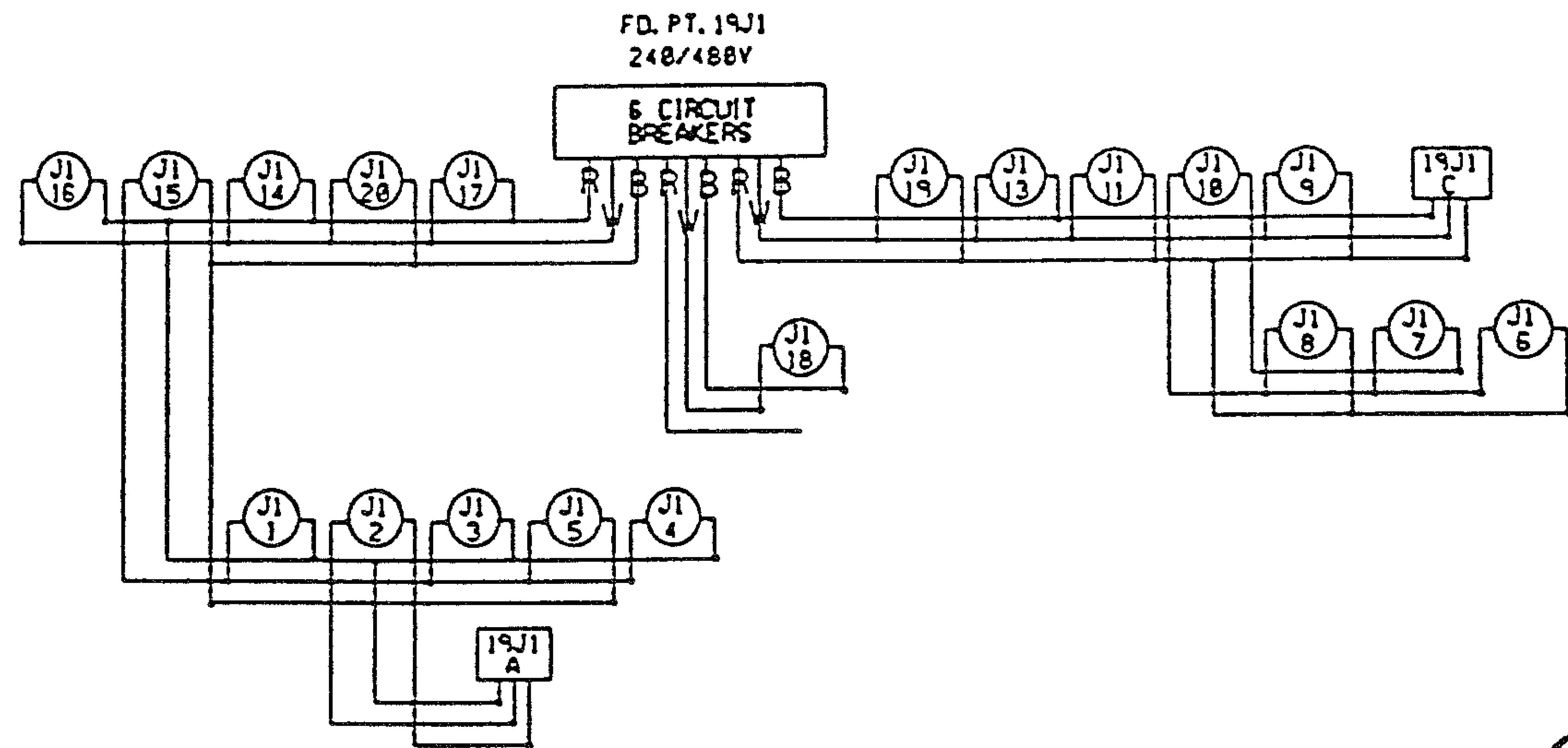


LIGHT STANDARD LOCATIONS					
NO.	STATION	LT.	RT.	LOCATION	TYPE
1	E.B. 332-30	-	-	T.H. 55	9-40
2	E.B. 334-70	-	-	T.H. 55	9-40
3	E.B. 337-10	-	-	T.H. 55	9-40
4	E.B. 339-50	-	-	T.H. 55	9-40
5	339-40	-	-	RAMP I	6-40
6	E.B. 334-30	-	-	T.H. 55	9-40
7	E.B. 356-90	-	-	T.H. 55	9-40
8	E.B. 339-30	-	-	T.H. 55	9-40
9	W.B. 342-20	-	-	T.H. 55	9-40
10	W.B. 340-00	-	-	T.H. 55	9-40
11	W.B. 337-80	-	-	T.H. 55	9-40
12	W.B. 335-40	-	-	T.H. 55	9-40
13	335-40	-	-	RAMP B	6-40
14	W.B. 339-30	-	-	T.H. 55	9-40
15	W.B. 332-90	-	-	T.H. 55	9-40
16	W.B. 330-30	-	-	T.H. 55	9-40
17	428-70	-	-	SO. ROBERT TR.	6-40
18	429-60	-	-	SO. ROBERT TR.	6-40
19	425-80	-	-	SO. ROBERT TR.	6-40
20	434-70	-	-	SO. ROBERT TR.	6-40

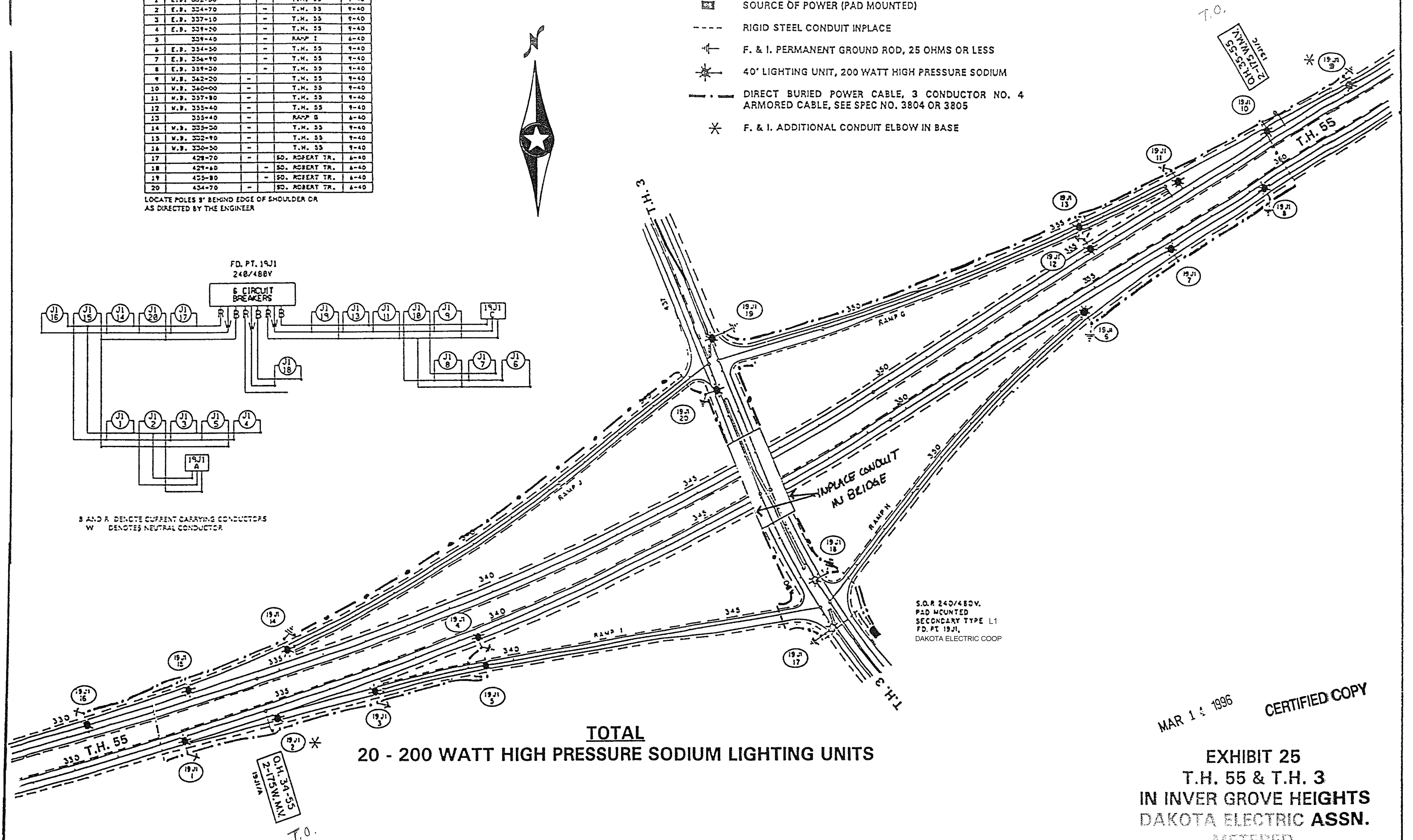
LOCATE POLES 9' BEHIND EDGE OF SHOULDER OR AS DIRECTED BY THE ENGINEER

LEGEND

- SOURCE OF POWER (PAD MOUNTED)
- RIGID STEEL CONDUIT INPLACE
- F. & I. PERMANENT GROUND ROD, 25 OHMS OR LESS
- 40' LIGHTING UNIT, 200 WATT HIGH PRESSURE SODIUM
- DIRECT BURIED POWER CABLE, 3 CONDUCTOR NO. 4 ARMORED CABLE, SEE SPEC NO. 3804 OR 3805
- F. & I. ADDITIONAL CONDUIT ELBOW IN BASE



B AND A DENOTE CURRENT CARRYING CONDUCTORS
W DENOTES NEUTRAL CONDUCTOR.



S.O.R. 240/480V.
PAD MOUNTED
SECONDARY TYPE L1
FD. PT. 19J1,
DAKOTA ELECTRIC COOP

TOTAL
20 - 200 WATT HIGH PRESSURE SODIUM LIGHTING UNITS

MAR 14 1996
CERTIFIED COPY
EXHIBIT 25
T.H. 55 & T.H. 3
IN INVER GROVE HEIGHTS
DAKOTA ELECTRIC ASSN.
METERED

FD. PT. 19J1