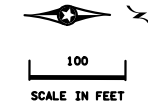


SEE LEGEND SHEET 16

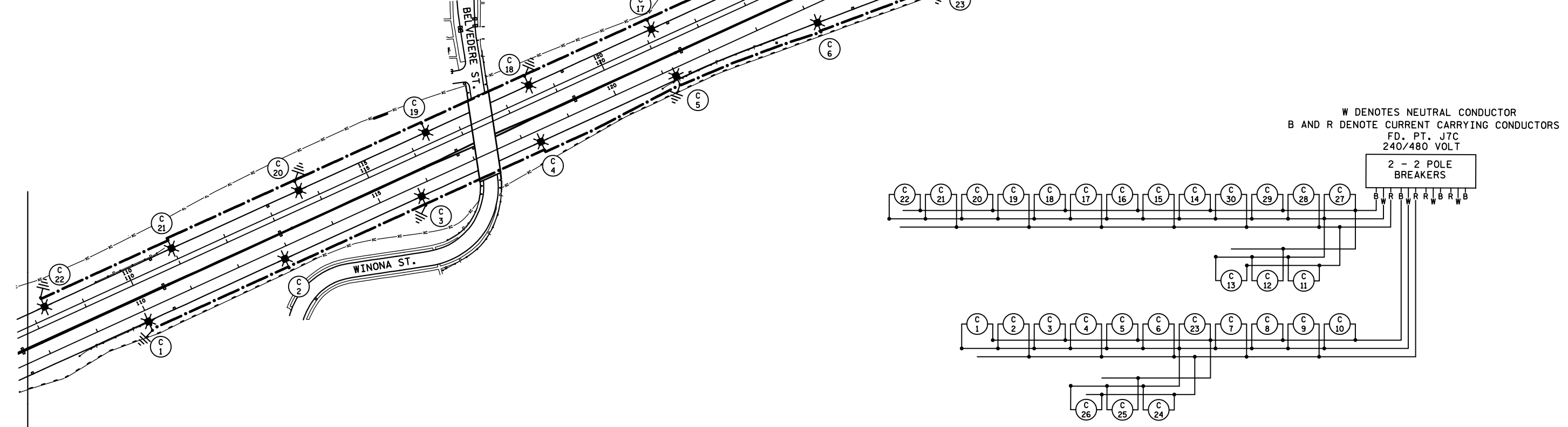
MATCHLINE "H"



S.O.P XCEL ENERGY  
 FD. PT. J7C  
 PAD MOUNTED SERVICE CABINET  
 SECONDARY TYPE L1  
 240/480 V (METERED).  
 EQUIPMENT PAD TYPE B REQUIRED  
 2" R.S.C. 3- 1/C #2 TO XCEL  
 PAD MOUNTED TRANSFORMER.

FEEDPOINT J7C  
 LIGHTING STANDARDS AND FOUNDATIONS

NO.	STATION	LT.	RT.	LOCATION	TYPE
1	110+00		X	T.H. 52 N.B.	9-49
2	112+90		X		9-49
3	115+80		X		9-49
4	118+30		X		9-49
5	121+20		X		9-49
6	124+10		X		9-49
7	127+00		X		9-49
8	129+90		X		9-49
9	132+80		X		9-49
10	135+70		X	T.H. 52 N.B.	9-49
11	136+75	X		T.H. 52 S.B.	9-49
12	134+15	X			9-49
13	131+55	X			9-49
14	128+95	X			9-49
15	126+35	X			9-49
16	123+75	X			9-49
17	121+15	X			9-49
18	118+55	X			9-49
19	116+35	X			9-49
20	113+65	X			9-49
21	110+95	X			9-49
22	108+25	X		T.H. 52 S.B.	9-49
23	00+50	X	X	CONCORD ST. S.E. RAMP	9-40
24	02+95	X			9-40
25	05+40	X			9-40
26	07+80	X	X	CONCORD ST. S.E. RAMP	9-40
27	08+20	X		CONCORD ST. S.W. RAMP	9-40
28	05+70	X			9-40
29	03+25	X			9-40
30	00+75	X	X	CONCORD ST. S.W. RAMP	9-40



W DENOTES NEUTRAL CONDUCTOR  
 B AND R DENOTE CURRENT CARRYING CONDUCTORS  
 FD. PT. J7C  
 240/480 VOLT

2 - 2 POLE  
 BREAKERS

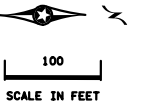
FEED POINT J7C

BY	DATE	REVISIONS	FEEDPOINT: J7C	LOCATION: TH52 AT CONCORD ST.	<b>LIGHTING PLAN</b>
			METER ADDRESS: 360 CONCORD ST. ST. PAUL 55107		
DRAWN BY: DC			CERTIFIED BY <i>Michael P. Libensky</i> LIC. NO. 19863 DATE: 9/16/2014		STATE PROJ. NO. 1928-60 (T.H. 52) SHEET NO. 22 OF 31 SHEETS
CKD BY: GB			DATE: 8/2014		

PLOTTED/REVISED: 9/16/2014

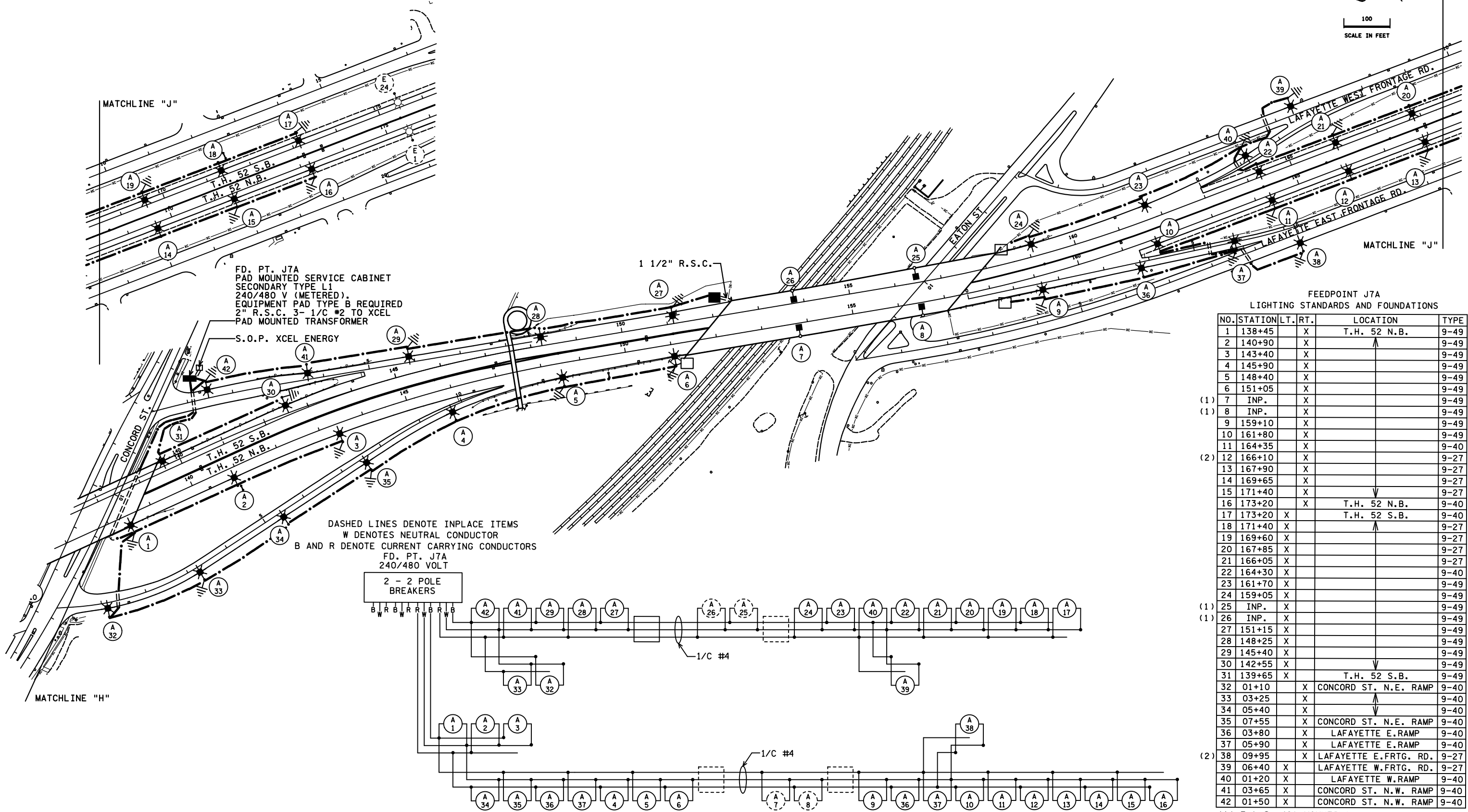
DISTRICT #: METRO  
 I/PLOT NAME: 1928-60.II.sht22  
 PATH & FILENAME: IP\_PWP-d\5884\2\1928-60.II.lo.dgn

SEE LEGEND SHEET 16



PLOTTED/REVISED: 9/16/2014

DISTRICT #: METRO  
 I/PLOT NAME: 1928-60.II.sht23  
 PATH & FILENAME: IP\_PWP-d\5884\2\1928-60.II.dwg



FD. PT. J7A  
 PAD MOUNTED SERVICE CABINET  
 SECONDARY TYPE L1  
 240/480 V (METERED)  
 EQUIPMENT PAD TYPE B REQUIRED  
 2" R.S.C. 3- 1/C #2 TO XCEL  
 PAD MOUNTED TRANSFORMER

DASHED LINES DENOTE INPLACE ITEMS  
 W DENOTES NEUTRAL CONDUCTOR  
 B AND R DENOTE CURRENT CARRYING CONDUCTORS  
 FD. PT. J7A  
 240/480 VOLT

2 - 2 POLE  
 BREAKERS

FEEDPOINT J7A  
 LIGHTING STANDARDS AND FOUNDATIONS

NO.	STATION	LT.	RT.	LOCATION	TYPE
1	138+45		X	T.H. 52 N.B.	9-49
2	140+90		X		9-49
3	143+40		X		9-49
4	145+90		X		9-49
5	148+40		X		9-49
6	151+05		X		9-49
(1) 7	INP.		X		9-49
(1) 8	INP.		X		9-49
9	159+10		X		9-49
10	161+80		X		9-49
11	164+35		X		9-40
(2) 12	166+10		X		9-27
13	167+90		X		9-27
14	169+65		X		9-27
15	171+40		X		9-27
16	173+20		X	T.H. 52 N.B.	9-40
17	173+20	X		T.H. 52 S.B.	9-40
18	171+40	X			9-27
19	169+60	X			9-27
20	167+85	X			9-27
21	166+05	X			9-27
22	164+30	X			9-40
23	161+70	X			9-49
24	159+05	X			9-49
(1) 25	INP.	X			9-49
(1) 26	INP.	X			9-49
27	151+15	X			9-49
28	148+25	X			9-49
29	145+40	X			9-49
30	142+55	X			9-49
31	139+65	X		T.H. 52 S.B.	9-49
32	01+10	X		CONCORD ST. N.E. RAMP	9-40
33	03+25		X		9-40
34	05+40		X		9-40
35	07+55	X		CONCORD ST. N.E. RAMP	9-40
36	03+80	X		LAFAYETTE E. RAMP	9-40
37	05+90	X		LAFAYETTE E. RAMP	9-40
(2) 38	09+95	X		LAFAYETTE E. FRTG. RD.	9-27
39	06+40	X		LAFAYETTE W. FRTG. RD.	9-27
40	01+20	X		LAFAYETTE W. RAMP	9-40
41	03+65	X		CONCORD ST. N.W. RAMP	9-40
42	01+50	X		CONCORD ST. N.W. RAMP	9-40

(1) F & I: 49' MOUNTING HEIGHT LUMINAIRE  
 (2) F & I: AIR OBSTRUCTION LIGHT

FEED POINT J7A

BY	DATE	REVISIONS	FEEDPOINT: J7A	LOCATION: TH 52 AT CONCORD ST.	<b>LIGHTING PLAN</b>
			METER ADDRESS: 350 CONCORD ST. ST. PAUL 55107		
DRAWN BY: DC	CKD BY: GB	DATE: 8/2014	CERTIFIED BY	 LIC. NO. 19863 DATE: 9/16/2014	STATE PROJ. NO. 1928-60 (T.H. 52) SHEET NO. 23 OF 31 SHEETS