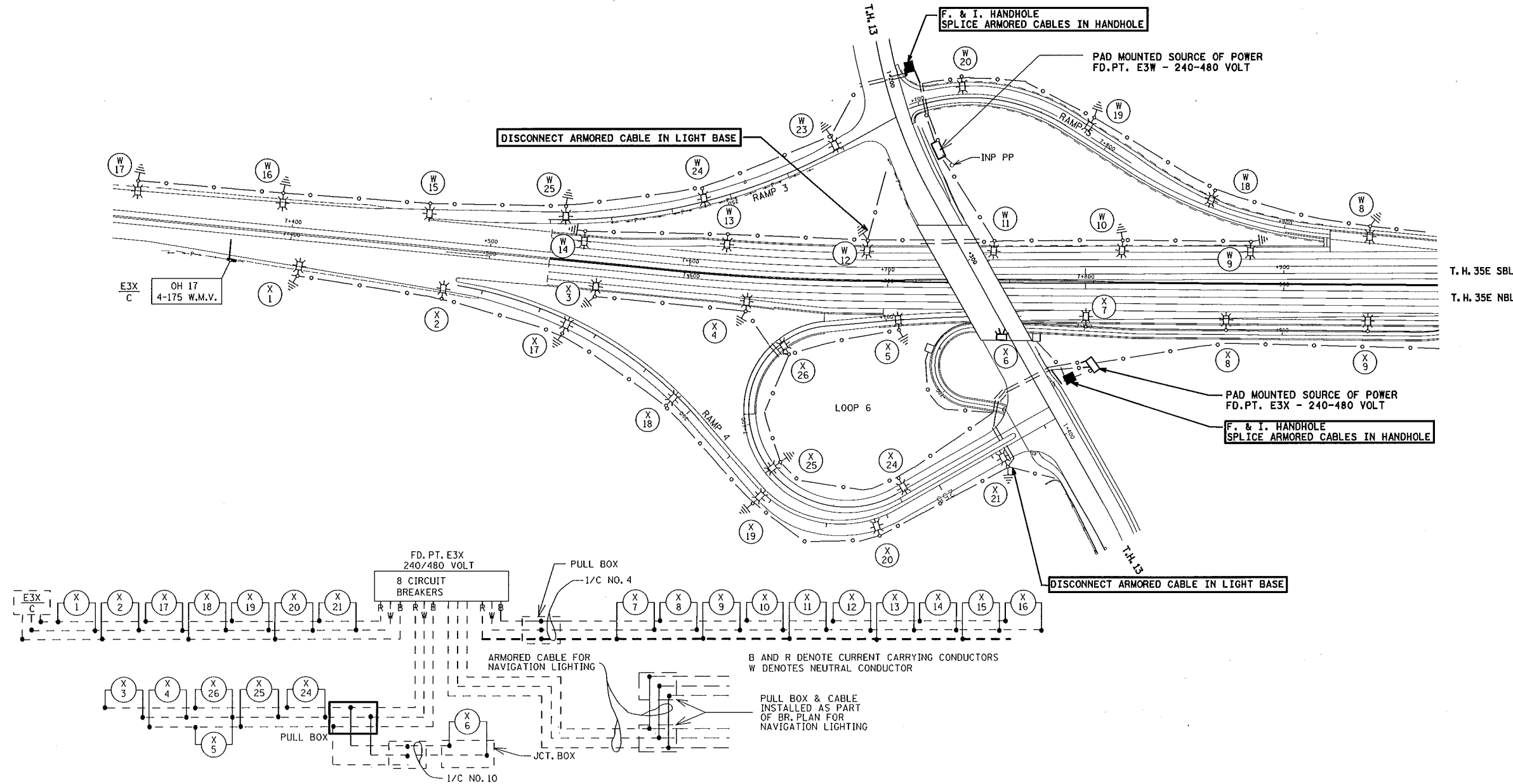
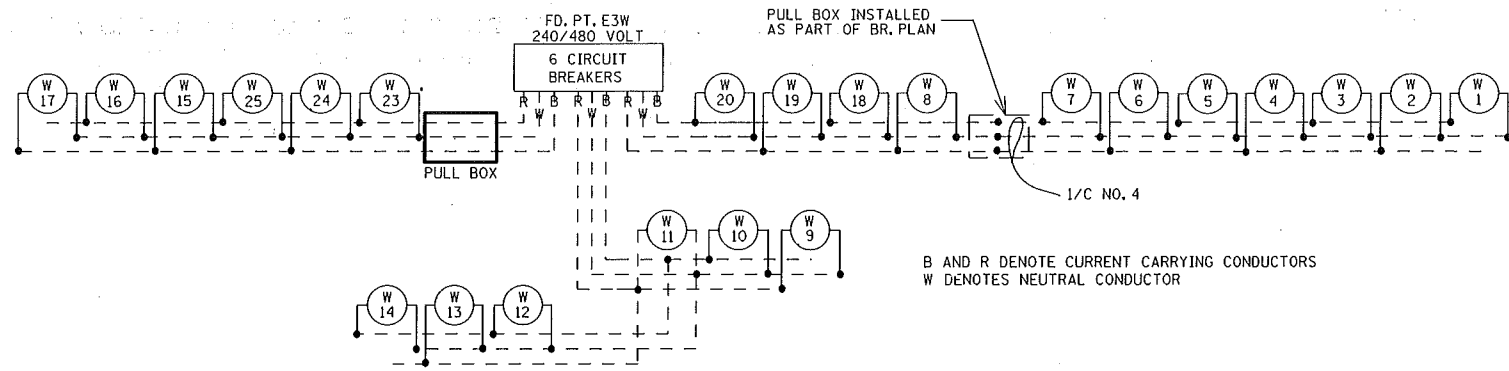


**LEGEND**

- F.&I. HANDHOLE
- INPLACE - PAD MOUNTED SOURCE OF POWER (VOLTAGE AS INDICATED ON PLAN)
- ⊛ INPLACE - 250 WATT HIGH PRESSURE SODIUM LIGHTING UNIT
- ⊞ INPLACE - 250 WATT HIGH PRESSURE SODIUM UNDERPASS LIGHTING UNIT
- === INPLACE - 78 mm RIGID STEEL CONDUIT EXCEPT AS NOTED OTHERWISE
- INPLACE - DIRECT BURIED POWER CABLE 3 CONDUCTOR NO. 4 AWG ARMORED CABLE SPEC NO. 3815
- ⊥ PERMANENT GROUND ROD (25 OHMS OR LESS)



NO SCALE

AS BUILT 1/5/12

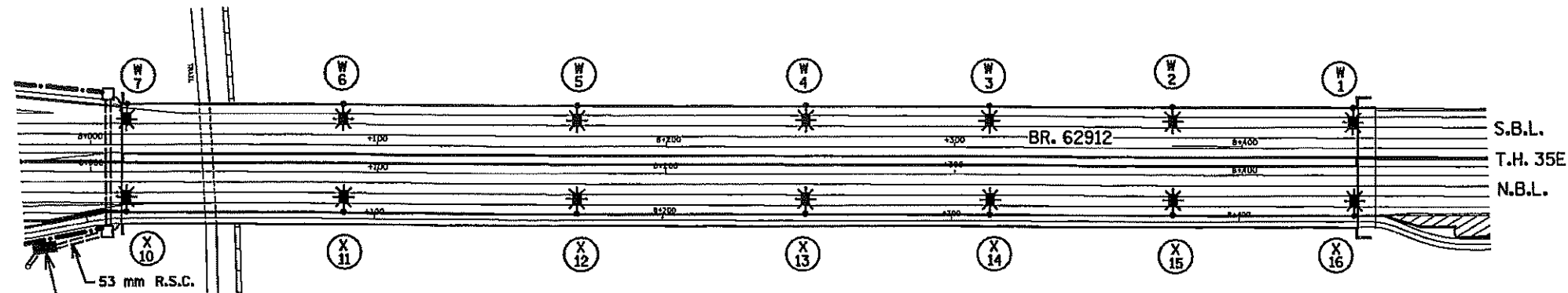
DISTRICT #: METRO  
 PLOT NAME: E03W\_E03XAB  
 PATH & FILENAME: IP\_PWP-d0705484-E03W\_E03XAB.dgn  
 PLOTTED/REVISED: 1/5/2012

BY	DATE	REVISIONS	FEEDPOINTS: E3W AND E3X	LOCATION: TH 13 AT 35E	<b>LIGHTING PLAN</b>
			METER ADDRESS: (E3X)949 SIBLEY MEMORIAL HWY & (E3W)957 SIBLEY MEMORIAL		
DRAWN BY: GB			CERTIFIED BY _____ LIC. NO. 19863		STATE PROJ. NO. SP1902-56 (T.H.13)
CKD BY: PB			DATE: 1/5/2012		SHEET NO. L2 OF L2 SHEETS

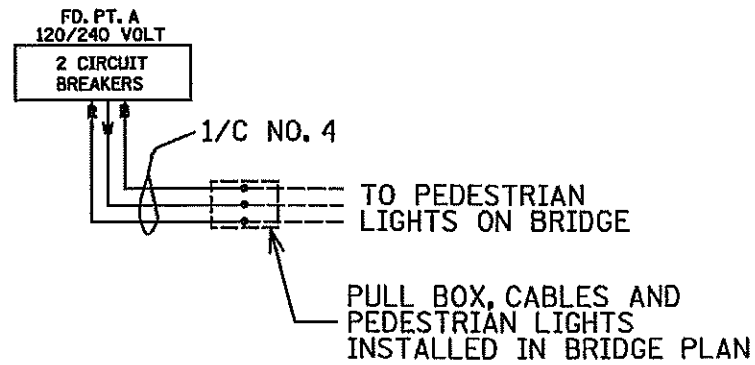
FD. PT. E3W

LIGHTING STANDARDS AND BASES					
NO.	STATION	L.T.	RT.	LOCATION	TYPE
1	8+433	--	--	T.H. 35E SBL	2BX-12
2	8+376	--	--	T.H. 35E SBL	2BX-12
3	8+312	--	--	T.H. 35E SBL	2BX-12
4	8+248	--	--	T.H. 35E SBL	2BX-12
5	8+169	--	--	T.H. 35E SBL	2BX-12
6	8+088	--	--	T.H. 35E SBL	2BX-12
7	8+015	--	--	T.H. 35E SBL	2BX-12
8	7+947	--	--	T.H. 35E SBL	2X-12
9	7+883	--	--	T.H. 35E SBL	2X-12
10	7+818	--	--	T.H. 35E SBL	2X-12
11	7+753	--	--	T.H. 35E SBL	2X-12
12	7+689	--	--	T.H. 35E SBL	2X-12
13	7+618	--	--	T.H. 35E SBL	2X-12
14	7+556	--	--	T.H. 35E SBL	2X-12
15	7+467	--	--	T.H. 35E SBL	2X-12
16	7+394	--	--	T.H. 35E SBL	2X-12
17	7+321	--	--	T.H. 35E SBL	2X-12
18	7+875	--	--	RAMP 5	2X-12
19	7+800	--	--	RAMP 5	2X-12
20	7+730	--	--	RAMP 5	2X-12
21	1+196	--	--	T.H. 13	2X-12
22	1+233	--	--	T.H. 13	2X-12
23	251+80	--	--	RAMP 3	2X-12
24	249+50	--	--	RAMP 3	2X-12
25	242+25	--	--	RAMP 3	2X-12

PLACE LIGHTING UNITS 3 m BEHIND SHOULDER OR AS DIRECTED BY THE ENGINEER



PAD MOUNTED SOURCE OF POWER SERVICE CABINET SECONDARY TYPE L1 FD. PT. A, 120/240 VOLT, METERED, XCEL ENERGY. F. & I. 53 mm R.S.C. & 3 - 1/C NO. 2 TO XCEL ENERGY POWER POLE. EQUIPMENT PAD B REQUIRED. THIS SOURCE OF POWER IS FOR DECORATIVE POLES ON BIKE PATH INSTALLED AS PART OF THE BRIDGE PLAN.



FD. PT. E3X

LIGHTING STANDARDS AND BASES					
NO.	STATION	L.T.	RT.	LOCATION	TYPE
1	7+405	--	--	T.H. 35E NBL	2X-12
2	7+478	--	--	T.H. 35E NBL	2X-12
3	7+554	--	--	T.H. 35E NBL	2X-12
4	7+630	--	--	T.H. 35E NBL	2X-12
5	7+706	--	--	T.H. 35E NBL	2X-12
6	7+758	--	--	T.H. 35E NBL	L
7	7+800	--	--	T.H. 35E NBL	2BX-12
8	7+871	--	--	T.H. 35E NBL	2BX-12
9	7+942	--	--	T.H. 35E NBL	2BX-12
10	8+015	--	--	T.H. 35E NBL	2BX-12
11	8+088	--	--	T.H. 35E NBL	2BX-12
12	8+169	--	--	T.H. 35E NBL	2BX-12
13	8+248	--	--	T.H. 35E NBL	2BX-12
14	8+312	--	--	T.H. 35E NBL	2BX-12
15	8+376	--	--	T.H. 35E NBL	2BX-12
16	8+433	--	--	T.H. 35E NBL	2BX-12
17	247+50	--	--	RAMP 4	2X-12
18	249+65	--	--	RAMP 4	2X-12
19	251+80	--	--	RAMP 4	2X-12
20	253+85	--	--	RAMP 4	2X-12
21	255+15	--	--	RAMP 4	2X-12
22	1+405	--	--	T.H. 13	2X-12
23	1+373	--	--	T.H. 13	2X-12
24	7+500	--	--	LOOP 6	2X-12
25	7+575	--	--	LOOP 6	2X-12
26	7+645	--	--	LOOP 6	2X-12

PLACE LIGHTING UNITS 3 m BEHIND SHOULDER OR AS DIRECTED BY THE ENGINEER

