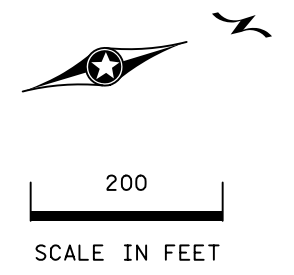


FEEDPOINT W8H  
LIGHTING STANDARDS AND FOUNDATIONS

NO.	STATION	LT.	RT.	LOCATION	TYPE	LUMINAIRE
1	732+35		-	T.H. 35W N.B.	9-40	40 FOOT
2	733+20		-	T.H. 35W N.B.	UNDERPASS	LED
3	735+51		-	T.H. 35W N.B.	9-40	40 FOOT
4	11+23		-	CR. 52 N.E. LOOP	9-40	40 FOOT
5	737+99		-	T.H. 35W N.B.	9-40	40 FOOT
6	20+91		-	CR. 52 N.E. RAMP	9-40	40 FOOT
7	749+54		-	T.H. 35W N.B.	9-40	40 FOOT
8	551+36		-	T.H. 35W N.B.	9-40	40 FOOT
9	10+58		-	CR. 52 N.W. RAMP	9-40	40 FOOT
10	13+17		-	CR. 52 N.W. RAMP	9-40	40 FOOT
11	15+57		-	CR. 52 N.W. RAMP	9-40	40 FOOT
12	741+21		-	T.H. 35W S.B.	9-40	40 FOOT
13	23+53		-	CR. 52 S.W. RAMP	9-40	40 FOOT
14	26+06		-	CR. 52 S.W. RAMP	9-40	40 FOOT
15	713+82		-	T.H. 35W S.B.	9-40	40 FOOT

CL CR. 52 N.B.

CL CR. 52 S.B.



FD. PT. W8H  
PAD MOUNTED SERVICE CABINET  
SECONDARY TYPE L1  
240/480 V (METERED)  
EQUIPMENT PAD B  
2" R.S.C. & 3-1/C#2 TO INPLACE  
CONNEXUS PAD MOUNTED TRANSFORMER

CL CR. 52 S.W. RAMP

CL T.H. 35W S.B.

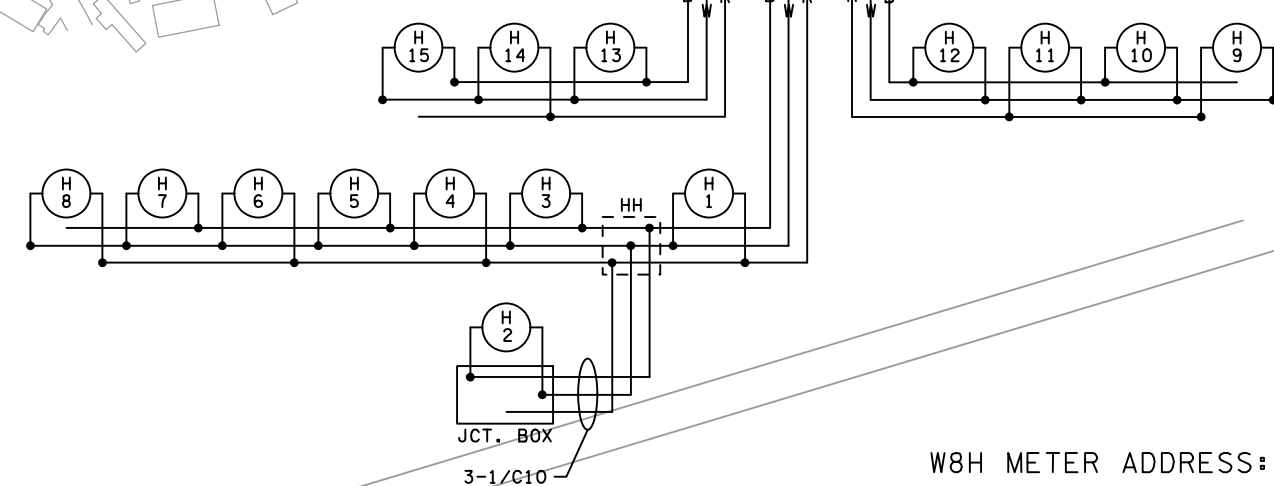
CL T.H. 35W N.B.

MATCHLINE T.H. 35W N.B. STA. 706+50

MATCHLINE T.H. 35W N.B. STA. 733+00

DASHED LINE INDICATES INPLACE ITEMS  
B AND R DENOTE CURRENT CARRYING CONDUCTORS  
W DENOTES NEUTRAL CONDUCTOR

FD. PT. W8H  
240/480 VOLT  
3 CIRCUIT  
BREAKERS



W8H METER ADDRESS: 3300 95TH AVE NE BLAINE 55014

E:\48-43 PM 12/17/2021 12:17:2021\Projects\2018\18005\CONSTRUCTION\Plan Sheets\cd6284180\_cb\_11175.dgn

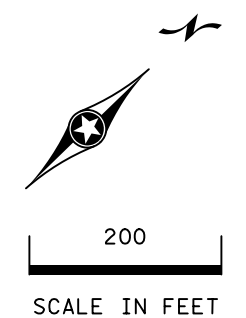
NO	DATE	DWN	CKD	REVISIONS
0	05/22/19	AKS	MPM	RFC DP T-6
1	12/18/19	AKS	MPM	RFC DP T-5
2	12/03/21			RECORD DRAWING



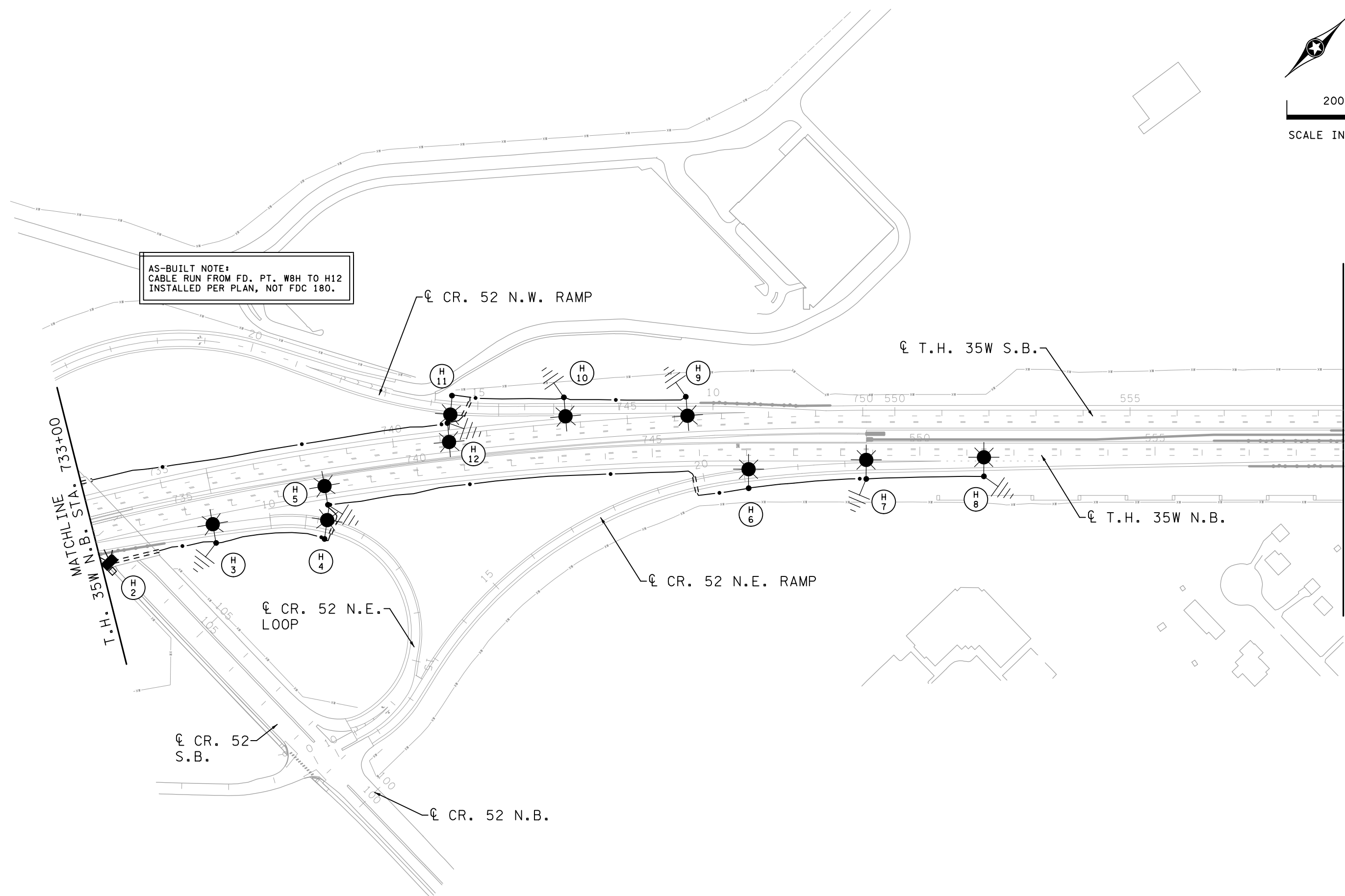
RECORD DRAWING NOTE: THESE RECORD DRAWINGS WERE DEVELOPED BASED ON THE PREVIOUS DRAWING REVISIONS AND INFORMATION TRANSMITTED FROM THE FIELD BY OTHERS. THE INFORMATION CONTAINED WITHIN THIS RECORD AS-BUILT PLAN REPRESENTS THE ACTUAL CONDITIONS FOR ALL CHANGES OF WHICH ALLIANT IS AWARE. FUTURE USERS OF THESE DRAWINGS SHOULD VERIFY AS-BUILT CONDITIONS IN THE FIELD IN ALL CIRCUMSTANCES.

LIGHTING PLANS  
FD. PT. W8H LAYOUT

I-35W NORTH MNPASS DB (S.P. 6284-180)  
SHEET NO. LL59 OF LL67 SHEETS



AS-BUILT NOTE:  
CABLE RUN FROM FD. PT. W8H TO H12  
INSTALLED PER PLAN, NOT FDC 180.



21:48:42 PM 12/23/2021 C:\Projects\2018\18005\CONSTRUCTION\Plan\_Sheets\cd6284180\_cb\_11180.dgn

1	12/09/19	AKS	MPM	FDC 180
2	12/18/19	AKS	MPM	REC DP T-5
3	12/03/21			RECORD DRAWING
NO	DATE	DWN	CKD	REVISIONS



RECORD DRAWING NOTE: THESE RECORD DRAWINGS WERE DEVELOPED BASED ON THE PREVIOUS DRAWING REVISIONS AND INFORMATION TRANSMITTED FROM THE FIELD BY OTHERS. THE INFORMATION CONTAINED WITHIN THIS RECORD AS-BUILT PLAN REPRESENTS THE ACTUAL CONDITIONS FOR ALL CHANGES OF WHICH ALLIANT IS AWARE. FUTURE USERS OF THESE DRAWINGS SHOULD VERIFY AS-BUILT CONDITIONS IN THE FIELD IN ALL CIRCUMSTANCES.

LIGHTING PLANS  
FD. PT. W8H LAYOUT

I-35W NORTH MNPASS DB (S.P. 6284-180)  
SHEET NO. LL60 OF LL67 SHEETS