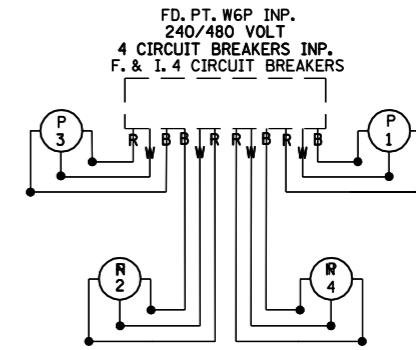


B AND R DENOTE CURRENT CARRYING CONDUCTORS
W DENOTES NEUTRAL CONDUCTOR



B AND R DENOTE CURRENT CARRYING CONDUCTORS
W DENOTES NEUTRAL CONDUCTOR

FD. PT. W6N

LIGHTING STANDARDS AND BASES					
NO.	STATION	LT.	RT.	LOCATION	TYPE
(2)	1	96+75	60'	T.H. 35W S.B.	3-100
(2)	2	94+20	70'	N.W. CONN.	3-100
(2)	3	19+25	170'	CO. RD. C	3-100

(2) SYMETRICAL LUMINAIRES

FD. PT. W6P

LIGHTING STANDARDS AND BASES					
NO.	STATION	LT.	RT.	LOCATION	TYPE
(2)	1	86+80	80'	T.H. 35W N.B.	4-120
(2)	2	92+15	80'	T.H. 35W N.B.	3-100
(1)	3	101+35	75'	T.H. 35W N.B.	3-100
(2)	4	93+70	45'	N.E. CONN.	3-100

(1) ASYMETRIC LUMINAIRES
(2) SYMETRICAL LUMINAIRES

INP. FD. PT. W6N
240/480V.
F. & I. METER SOCKET

INP. FD. PT. W6P
240/480V.
F. & I. METER SOCKET

