

LEGEND

- INSTALL LIGHTING UNIT AND STEEL LIGHT BASE
- INPLACE PAD MOUNTED SOURCE OF POWER
240/480 VOLT
- F & I OVERHEAD CABLE 4 COND. NO. 4
- INPLACE ARMORED CABLE 4 COND. NO. 4
- ☼ INPLACE LIGHTING UNIT

FD. PT. W5X TEMPORARY LIGHTING

LIGHTING STANDARDS AND BASES					
NO.	STATION	LT.	RT.	LOCATION	WATTAGE
1	10+80			PARKRIDE	250
2	12+90				
3	15+70				
4	16+60				
5	14+40				
6	12+40			PARKRIDE	250

100'

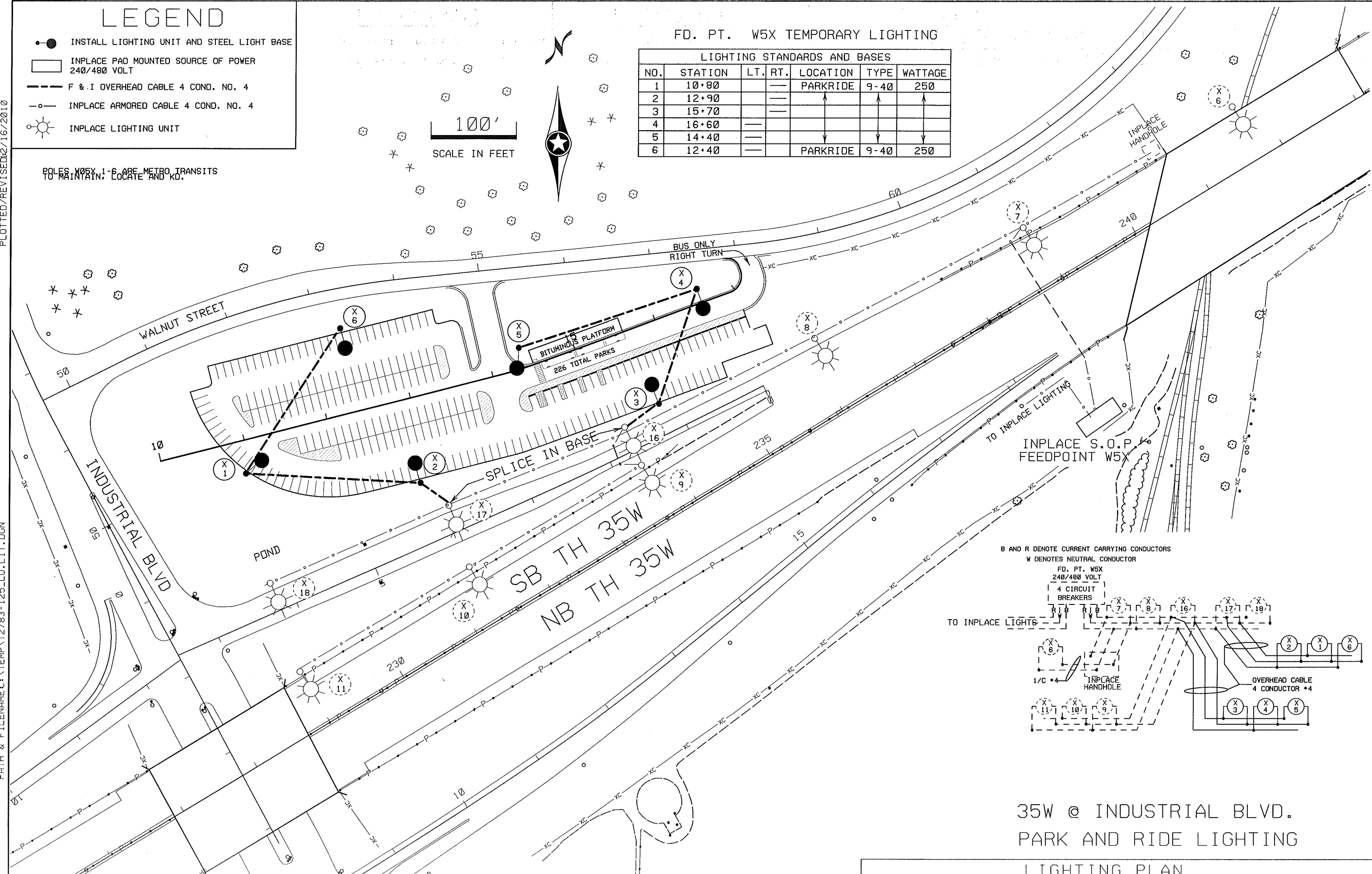
SCALE IN FEET



POLES W5X 1-6 ARE METRO TRANSITS TO MAINTAIN, LOCATE AND KD.

PLOTTED/REVISED 02/16/2010

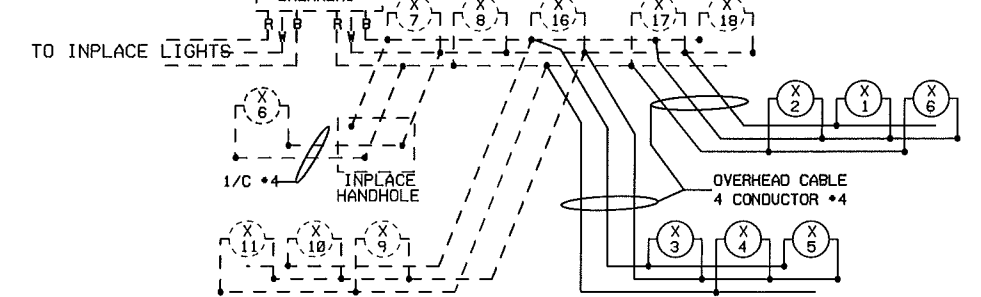
DISTRICT *-METRO
IPLOT NAME:T2783-125_LO.LIT
PATH & FILENAME:C:\TEMP\T2783-125_LO.LIT.DGN



B AND R DENOTE CURRENT CARRYING CONDUCTORS
W DENOTES NEUTRAL CONDUCTOR

FD. PT. W5X
240/480 VOLT

4 CIRCUIT
BREAKERS



35W @ INDUSTRIAL BLVD.
PARK AND RIDE LIGHTING

LIGHTING PLAN

FD.PT. W5X

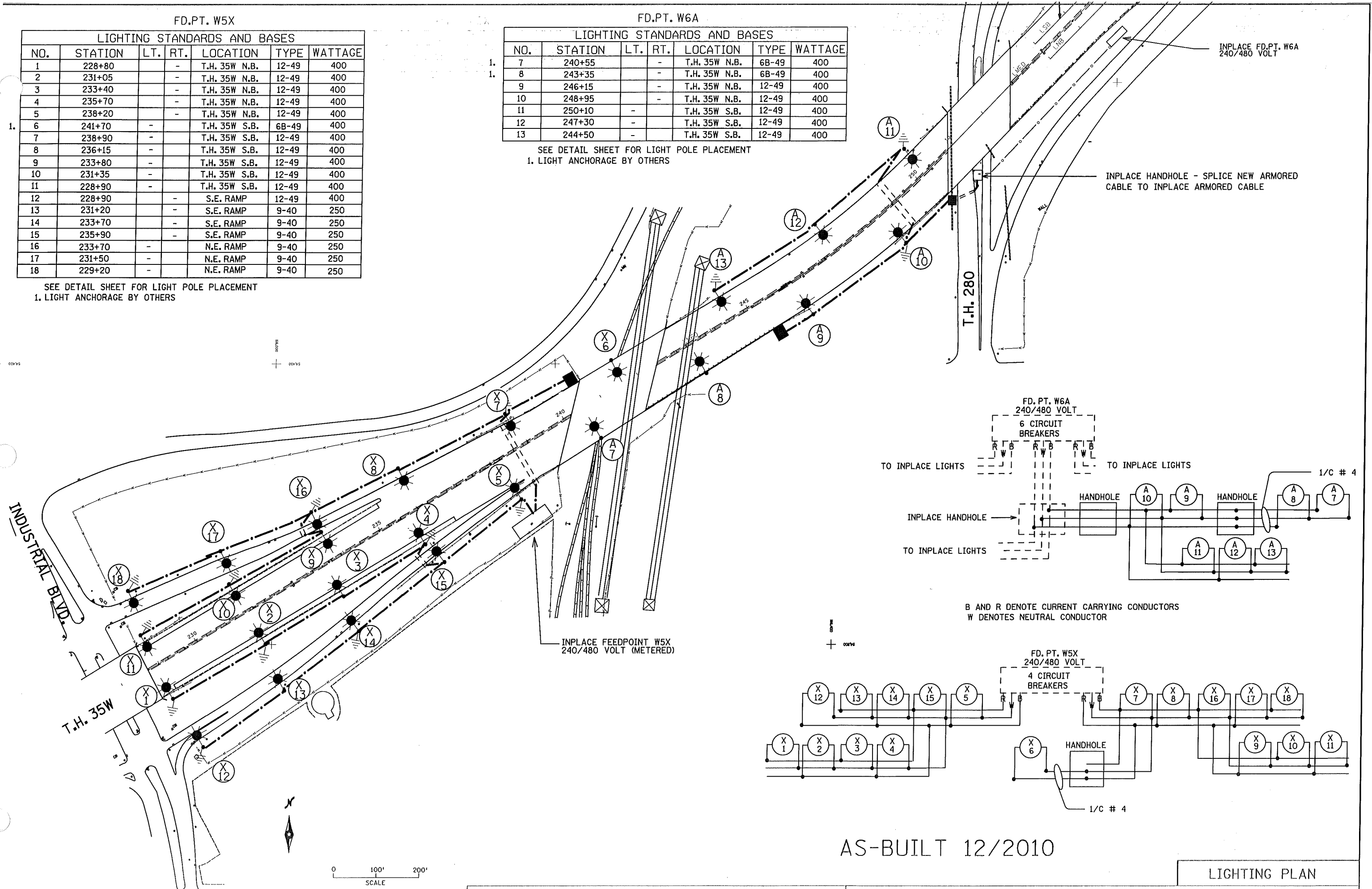
LIGHTING STANDARDS AND BASES						
NO.	STATION	LT.	RT.	LOCATION	TYPE	WATTAGE
1	228+80	-	-	T.H. 35W N.B.	12-49	400
2	231+05	-	-	T.H. 35W N.B.	12-49	400
3	233+40	-	-	T.H. 35W N.B.	12-49	400
4	235+70	-	-	T.H. 35W N.B.	12-49	400
5	238+20	-	-	T.H. 35W N.B.	12-49	400
6	241+70	-	-	T.H. 35W S.B.	6B-49	400
7	238+90	-	-	T.H. 35W S.B.	12-49	400
8	236+15	-	-	T.H. 35W S.B.	12-49	400
9	233+80	-	-	T.H. 35W S.B.	12-49	400
10	231+35	-	-	T.H. 35W S.B.	12-49	400
11	228+90	-	-	T.H. 35W S.B.	12-49	400
12	228+90	-	-	S.E. RAMP	12-49	400
13	231+20	-	-	S.E. RAMP	9-40	250
14	233+70	-	-	S.E. RAMP	9-40	250
15	235+90	-	-	S.E. RAMP	9-40	250
16	233+70	-	-	N.E. RAMP	9-40	250
17	231+50	-	-	N.E. RAMP	9-40	250
18	229+20	-	-	N.E. RAMP	9-40	250

SEE DETAIL SHEET FOR LIGHT POLE PLACEMENT
1. LIGHT ANCHORAGE BY OTHERS

FD.PT. W6A

LIGHTING STANDARDS AND BASES						
NO.	STATION	LT.	RT.	LOCATION	TYPE	WATTAGE
7	240+55	-	-	T.H. 35W N.B.	6B-49	400
8	243+35	-	-	T.H. 35W N.B.	6B-49	400
9	246+15	-	-	T.H. 35W N.B.	12-49	400
10	248+95	-	-	T.H. 35W N.B.	12-49	400
11	250+10	-	-	T.H. 35W S.B.	12-49	400
12	247+30	-	-	T.H. 35W S.B.	12-49	400
13	244+50	-	-	T.H. 35W S.B.	12-49	400

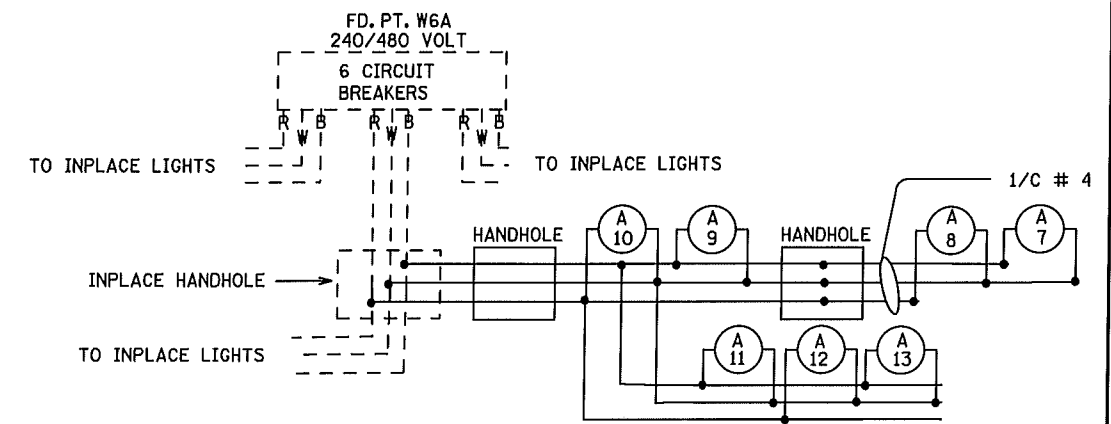
SEE DETAIL SHEET FOR LIGHT POLE PLACEMENT
1. LIGHT ANCHORAGE BY OTHERS



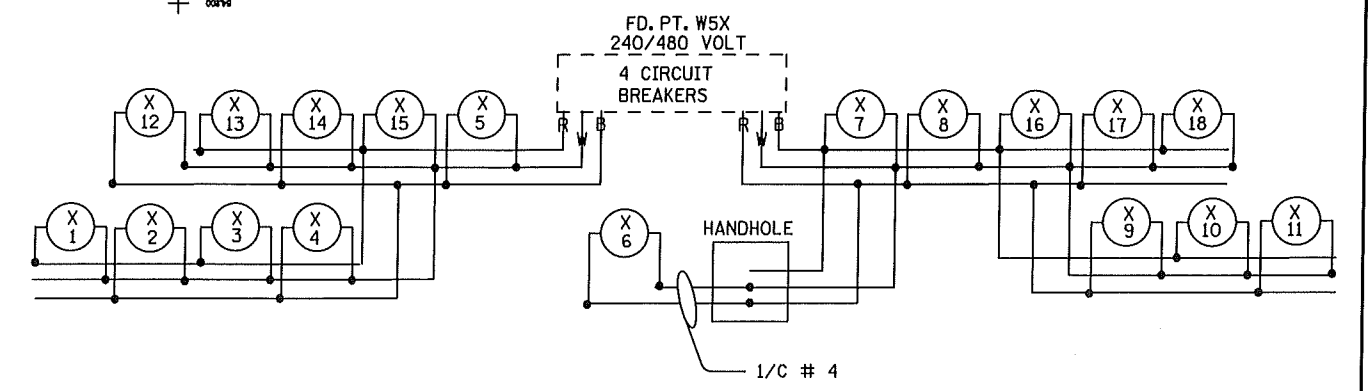
INPLACE FD.PT. W6A
240/480 VOLT

INPLACE HANDHOLE - SPLICE NEW ARMORED
CABLE TO INPLACE ARMORED CABLE

T.H. 280



B AND R DENOTE CURRENT CARRYING CONDUCTORS
W DENOTES NEUTRAL CONDUCTOR



AS-BUILT 12/2010

LIGHTING PLAN