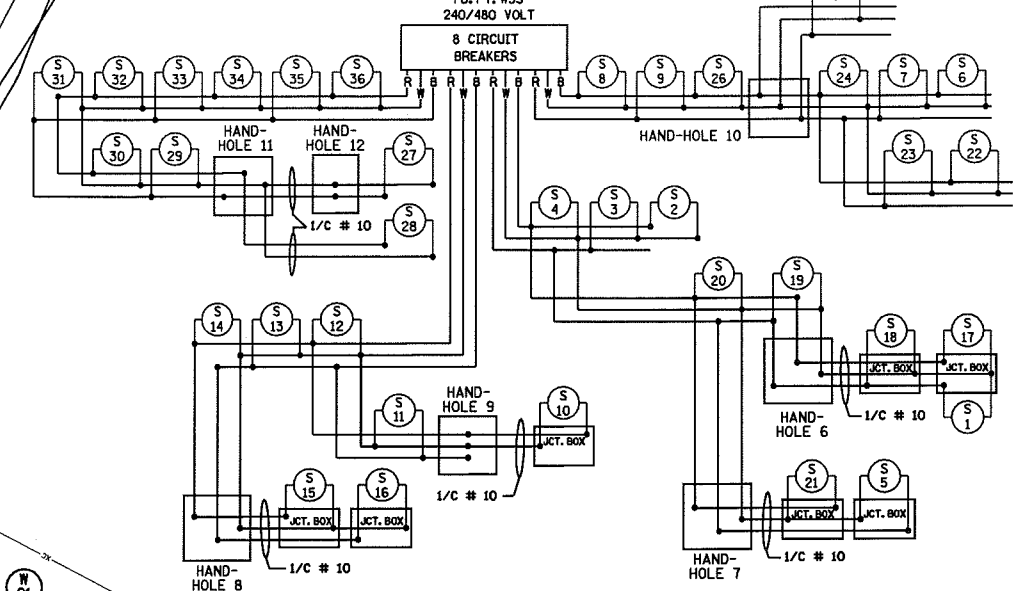
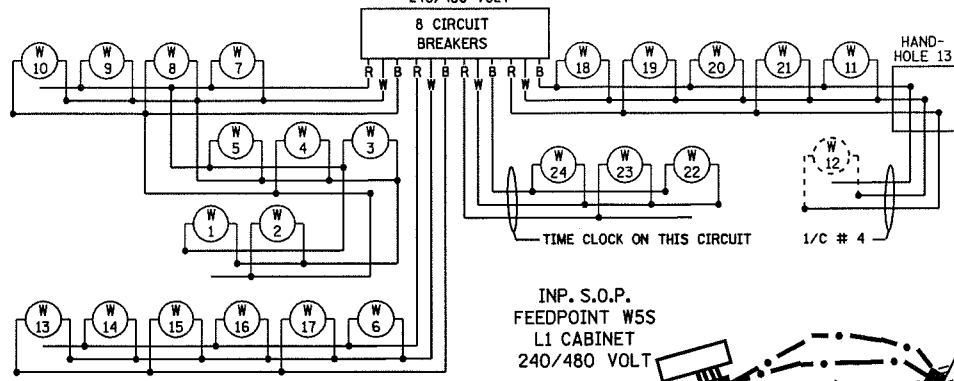


SEE LEGEND SHEET 357

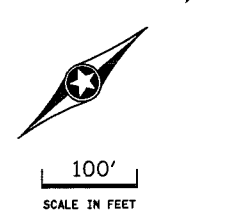
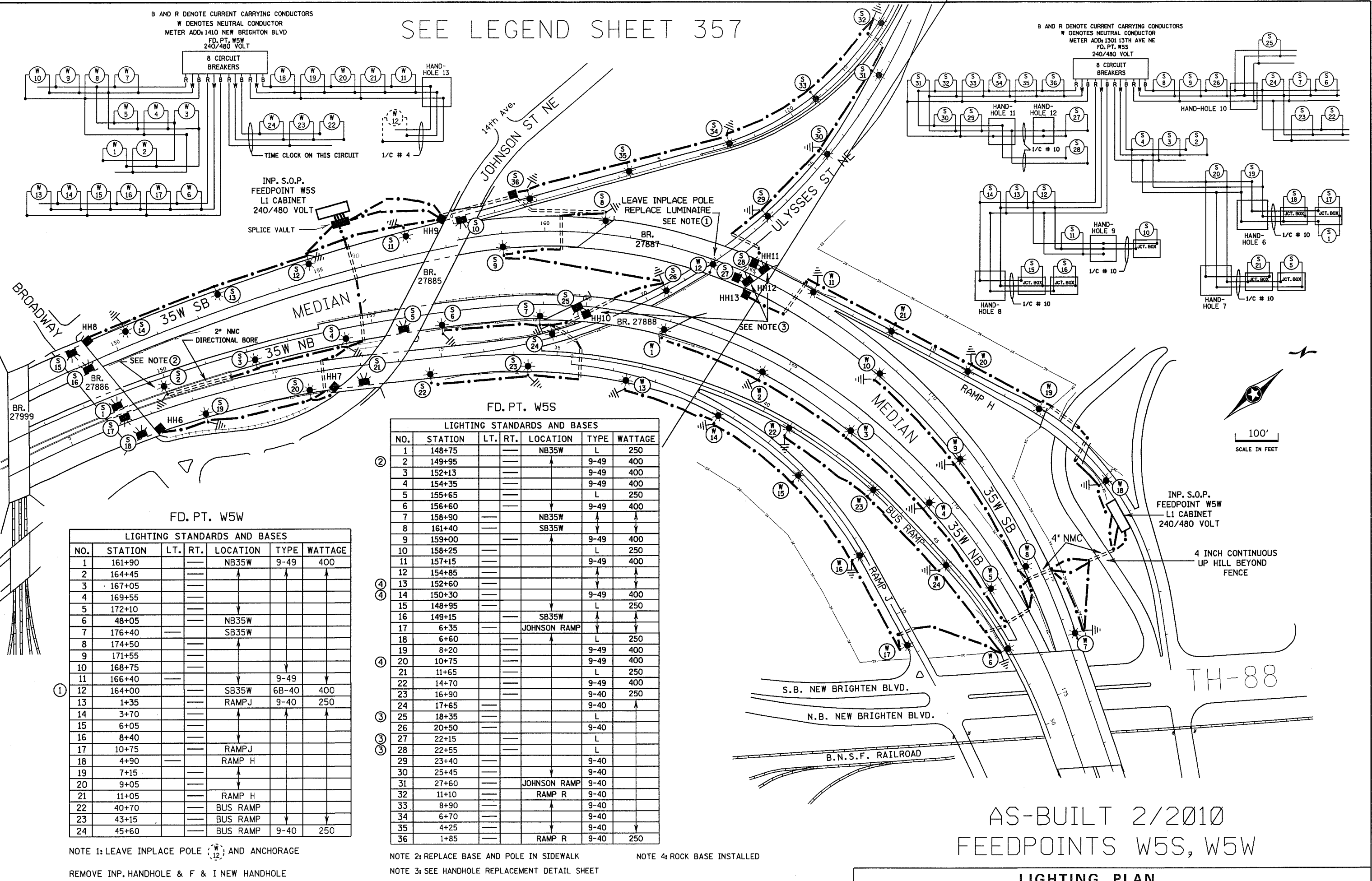
B AND R DENOTE CURRENT CARRYING CONDUCTORS  
W DENOTES NEUTRAL CONDUCTOR  
METER ADD: 1410 NEW BRIGHTON BLVD  
FD. PT. W5W  
240/480 VOLT

B AND R DENOTE CURRENT CARRYING CONDUCTORS  
W DENOTES NEUTRAL CONDUCTOR  
METER ADD: 1301 13TH AVE NE  
FD. PT. W5S  
240/480 VOLT



PLOTTED/REVISED: 2/23/2010

DISTRICT #: METRO  
PLOT NAME: 2783-107\_102-4  
PATH & FILENAME: c:\projects\wise\pw\_working\k\l\er\1078404\2783-107\_102-4\l\ab.dgn



FD. PT. W5W

LIGHTING STANDARDS AND BASES

NO.	STATION	LT.	RT.	LOCATION	TYPE	WATTAGE
1	161+90			NB35W	9-49	400
2	164+45					
3	167+05					
4	169+55					
5	172+10					
6	48+05			NB35W		
7	176+40			SB35W		
8	174+50					
9	171+55					
10	168+75					
11	166+40				9-49	
12	164+00			SB35W	6B-40	400
13	1+35			RAMP J	9-40	250
14	3+70					
15	6+05					
16	8+40					
17	10+75			RAMP J		
18	4+90			RAMP H		
19	7+15					
20	9+05					
21	11+05			RAMP H		
22	40+70			BUS RAMP		
23	43+15			BUS RAMP		
24	45+60			BUS RAMP	9-40	250

NOTE 1: LEAVE IN PLACE POLE (W<sub>12</sub>) AND ANCHORAGE  
REMOVE INP. HANDHOLE & F & I NEW HANDHOLE

LIGHTING STANDARDS AND BASES

NO.	STATION	LT.	RT.	LOCATION	TYPE	WATTAGE
1	148+75			NB35W	L	250
2	149+95				9-49	400
3	152+13				9-49	400
4	154+35				9-49	400
5	155+65				L	250
6	156+60				9-49	400
7	158+90			NB35W		
8	161+40			SB35W		
9	159+00				9-49	400
10	158+25				L	250
11	157+15				9-49	400
12	154+85					
13	152+60					
14	150+30				9-49	400
15	148+95				L	250
16	149+15			SB35W		
17	6+35			JOHNSON RAMP		
18	6+60				L	250
19	8+20				9-49	400
20	10+75				9-49	400
21	11+65				L	250
22	14+70				9-49	400
23	16+90				9-40	250
24	17+65				9-40	
25	18+35				L	
26	20+50				9-40	
27	22+15				L	
28	22+55				L	
29	23+40				9-40	
30	25+45				9-40	
31	27+60			JOHNSON RAMP	9-40	
32	11+10			RAMP R	9-40	
33	8+90				9-40	
34	6+70				9-40	
35	4+25				9-40	
36	1+85			RAMP R	9-40	250

NOTE 2: REPLACE BASE AND POLE IN SIDEWALK  
NOTE 3: SEE HANDHOLE REPLACEMENT DETAIL SHEET  
NOTE 4: ROCK BASE INSTALLED

AS-BUILT 2/2010  
FEEDPOINTS W5S, W5W

LIGHTING PLAN