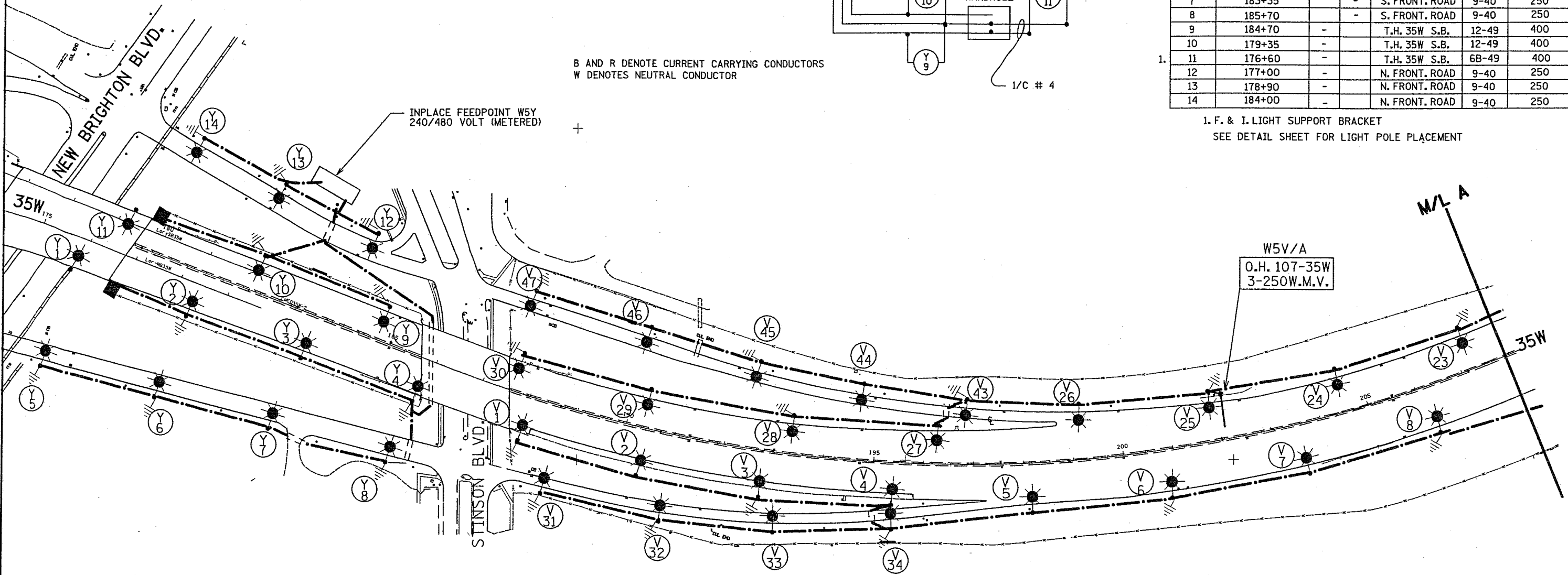


B AND R DENOTE CURRENT CARRYING CONDUCTORS  
W DENOTES NEUTRAL CONDUCTOR

FD.PT. W5Y

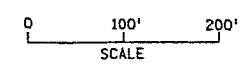
LIGHTING STANDARDS AND BASES						
NO.	STATION	LT.	RT.	LOCATION	TYPE	WATTAGE
1.	175+90	-	-	T.H. 35W N.B.	6B-49	400
2	178+35	-	-	T.H. 35W N.B.	12-49	400
3	183+40	-	-	T.H. 35W N.B.	12-49	400
4	185+80	-	-	T.H. 35W N.B.	12-49	400
5	176+00	-	-	S. FRONT. ROAD	9-40	250
6	178+35	-	-	S. FRONT. ROAD	9-40	250
7	183+35	-	-	S. FRONT. ROAD	9-40	250
8	185+70	-	-	S. FRONT. ROAD	9-40	250
9	184+70	-	-	T.H. 35W S.B.	12-49	400
10	179+35	-	-	T.H. 35W S.B.	12-49	400
1.	176+60	-	-	T.H. 35W S.B.	6B-49	400
12	177+00	-	-	N. FRONT. ROAD	9-40	250
13	178+90	-	-	N. FRONT. ROAD	9-40	250
14	184+00	-	-	N. FRONT. ROAD	9-40	250

1. F. & I. LIGHT SUPPORT BRACKET  
SEE DETAIL SHEET FOR LIGHT POLE PLACEMENT



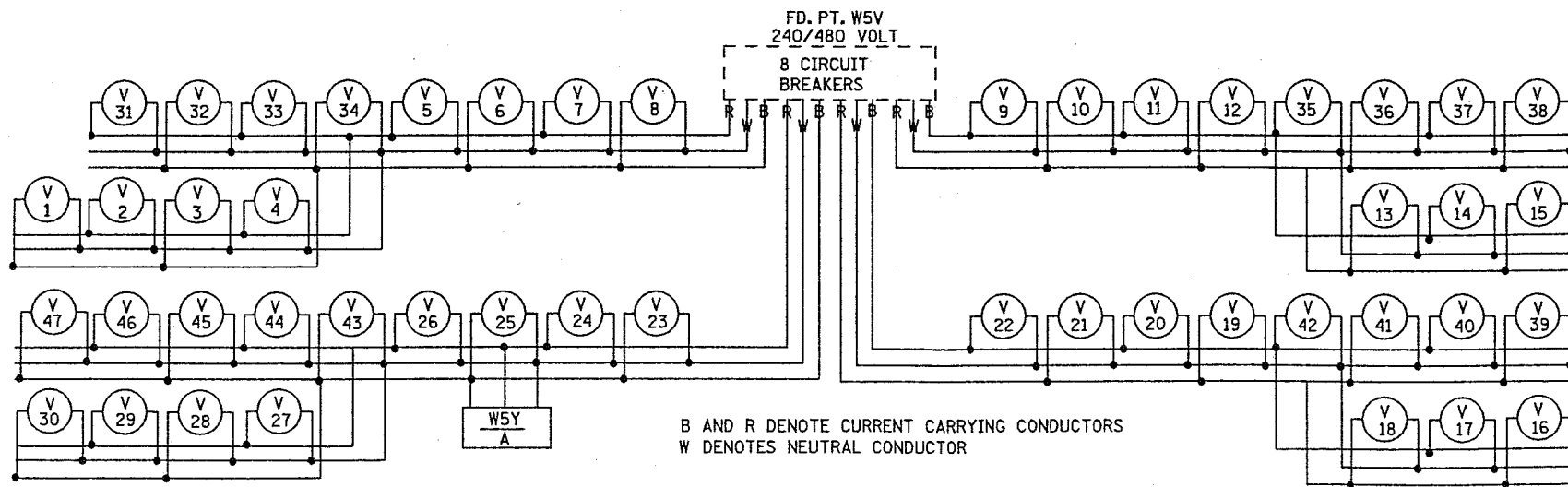
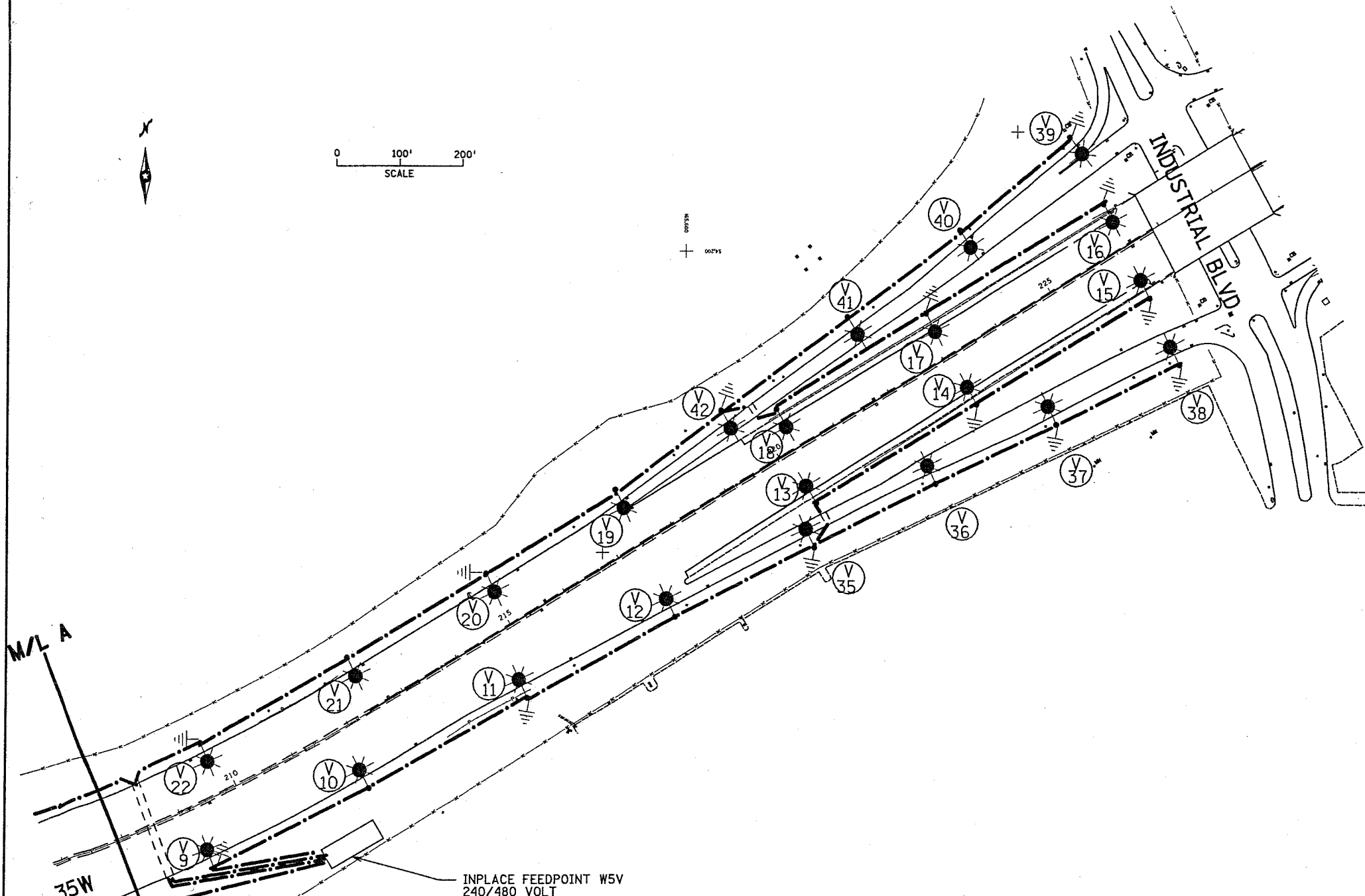
**LEGEND**

- INPLACE PAD MOUNTED SOURCE OF POWER (240/480 VOLT)
- 3" NON-METALIC CONDUIT (DIRECTIONAL BORE) EXCEPT AS NOTED OTHERWISE
- DIRECT BURIED POWER CABLE 3 CONDUCTOR NO. 4 AWG ARMORED CABLE SPEC. NO. 3815
- INPLACE ARMORED CABLE
- HIGH PRESSURE SODIUM LIGHTING UNIT
- PERMANENT GROUND ROD (25 OHMS OR LESS)
- HANDHOLE



LIGHTING STANDARDS AND BASES						
NO.	STATION	LT.	RT.	LOCATION	TYPE	WATTAGE
1	188+00	-	-	T.H. 35W N.B.	12-49	400
2	190+45	-	-	T.H. 35W N.B.	12-49	400
3	192+80	-	-	T.H. 35W N.B.	12-49	400
4	195+25	-	-	T.H. 35W N.B.	12-49	400
5	197+95	-	-	T.H. 35W N.B.	12-49	400
6	200+70	-	-	T.H. 35W N.B.	12-49	400
7	203+50	-	-	T.H. 35W N.B.	12-49	400
8	206+20	-	-	T.H. 35W N.B.	12-49	400
9	209+00	-	-	T.H. 35W N.B.	12-49	400
10	211+80	-	-	T.H. 35W N.B.	12-49	400
11	214+60	-	-	T.H. 35W N.B.	12-49	400
12	217+30	-	-	T.H. 35W N.B.	12-49	400
13	220+15	-	-	T.H. 35W N.B.	12-49	400
14	223+10	-	-	T.H. 35W N.B.	12-49	400
15	226+00	-	-	T.H. 35W N.B.	12-49	400
16	226+00	-	-	T.H. 35W S.B.	12-49	400
17	223+10	-	-	T.H. 35W S.B.	12-49	400
18	220+40	-	-	T.H. 35W S.B.	12-49	400
19	217+50	-	-	T.H. 35W S.B.	12-49	400
20	215+10	-	-	T.H. 35W S.B.	12-49	400
21	212+50	-	-	T.H. 35W S.B.	12-49	400
22	209+80	-	-	T.H. 35W S.B.	12-49	400
23	207+20	-	-	T.H. 35W S.B.	12-49	400
24	204+50	-	-	T.H. 35W S.B.	12-49	400
25	201+80	-	-	T.H. 35W S.B.	12-49	400
26	199+10	-	-	T.H. 35W S.B.	12-49	400
27	196+25	-	-	T.H. 35W S.B.	12-49	400
28	193+20	-	-	T.H. 35W S.B.	12-49	400
29	190+40	-	-	T.H. 35W S.B.	12-49	400
30	187+60	-	-	T.H. 35W S.B.	12-49	400
31	188+70	-	-	S.E. RAMP	9-40	250
32	191+10	-	-	S.E. RAMP	9-40	250
33	193+20	-	-	S.E. RAMP	9-40	250
34	195+40	-	-	S.E. RAMP	9-40	250
35	219+80	-	-	S.W. RAMP	9-40	250
36	221+90	-	-	S.W. RAMP	9-40	250
37	224+05	-	-	S.W. RAMP	9-40	250
38	226+20	-	-	S.W. RAMP	9-40	250
39	226+40	-	-	N.W. RAMP	9-40	250
40	224+20	-	-	N.W. RAMP	9-40	250
41	222+00	-	-	N.W. RAMP	9-40	250
42	219+60	-	-	N.W. RAMP	9-40	250
43	196+80	-	-	N.E. RAMP	9-40	250
44	194+60	-	-	N.E. RAMP	9-40	250
45	192+35	-	-	N.E. RAMP	9-40	250
46	189+95	-	-	N.E. RAMP	9-40	250
47	187+40	-	-	N.E. RAMP	9-40	250

SEE DETAIL SHEET FOR LIGHT POLE PLACEMENT



B AND R DENOTE CURRENT CARRYING CONDUCTORS  
W DENOTES NEUTRAL CONDUCTOR

LIGHTING PLAN