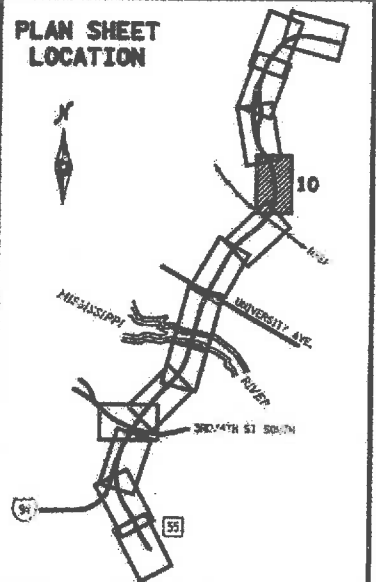
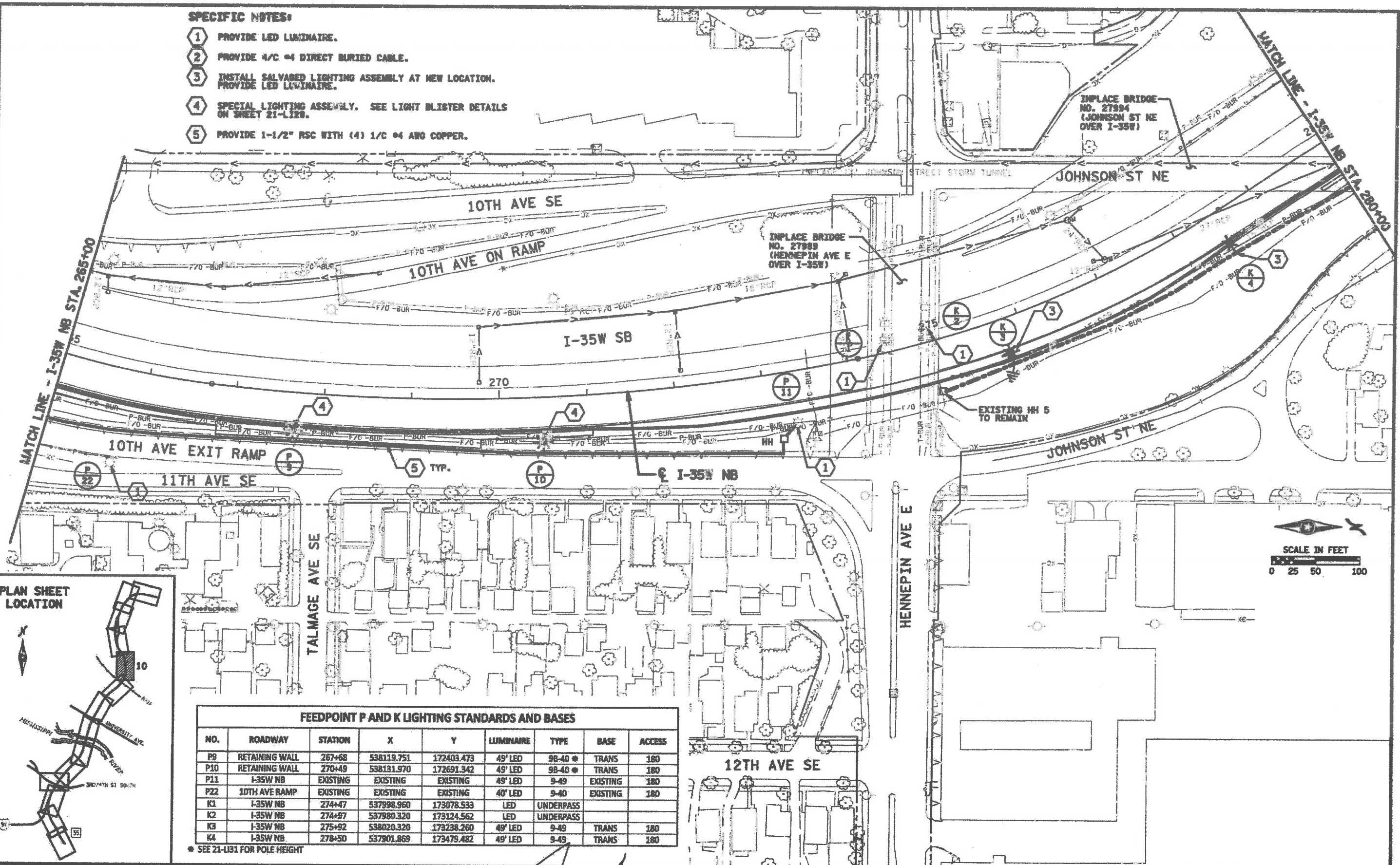




**SPECIFIC NOTES:**

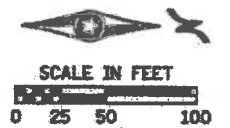
- 1 PROVIDE LED LUMINAIRE.
- 2 PROVIDE 1/2" #4 DIRECT BURIED CABLE.
- 3 INSTALL SALVAGED LIGHTING ASSEMBLY AT NEW LOCATION. PROVIDE LED LUMINAIRE.
- 4 SPECIAL LIGHTING ASSEMBLY. SEE LIGHT BLISTER DETAILS ON SHEET 21-L129.
- 5 PROVIDE 1-1/2" RSC WITH (4) 1/2" #4 AWG COPPER.



**FEEDPOINT P AND K LIGHTING STANDARDS AND BASES**

NO.	ROADWAY	STATION	X	Y	LUMINAIRE	TYPE	BASE	ACCESS
P9	RETAINING WALL	267+68	538119.751	172403.473	49' LED	98-40 *	TRANS	180
P10	RETAINING WALL	270+49	538131.970	172691.342	49' LED	98-40 *	TRANS	180
P11	I-35W NB	EXISTING	EXISTING	EXISTING	49' LED	9-49	EXISTING	180
P22	10TH AVE RAMP	EXISTING	EXISTING	EXISTING	40' LED	9-40	EXISTING	180
K1	I-35W NB	274+47	537998.960	173078.533	LED	UNDERPASS		
K2	I-35W NB	274+97	537980.320	173124.562	LED	UNDERPASS		
K3	I-35W NB	275+92	538020.320	173238.260	49' LED	9-49	TRANS	180
K4	I-35W NB	278+50	537901.869	173479.482	49' LED	9-49	TRANS	180

\* SEE 21-L131 FOR POLE HEIGHT



DATE: 7/23/2014 TIME: 5:08:47 PM  
 FILENAME: K:\r-z\Shaffer Contracting\05-rf\0000\hwy-brdg\hwy-pln-sht\DP-021 Permi-Lighting\02183136\_1110.dgn

NO.	DATE	BY	DESCRIPTION OF REVISIONS
0	7-23-14	C.J.L	DP-021 SUBMITTAL FOR RFP

DR: SFH  
 DES: JRY  
 CHK: C.J.L  
 I HEREBY CERTIFY THAT THIS PLAN WAS PREPARED BY ME OR UNDER MY DIRECT SUPERVISION AND THAT I AM A DULY LICENSED PROFESSIONAL ENGINEER UNDER THE LAWS OF THE STATE OF MINNESOTA.  
 SIGNATURE: *Christopher J. Letter*  
 PRINTED NAME: CHRISTOPHER J. LETTER  
 DATE: 7/23/2014 LIC. NO. 47889

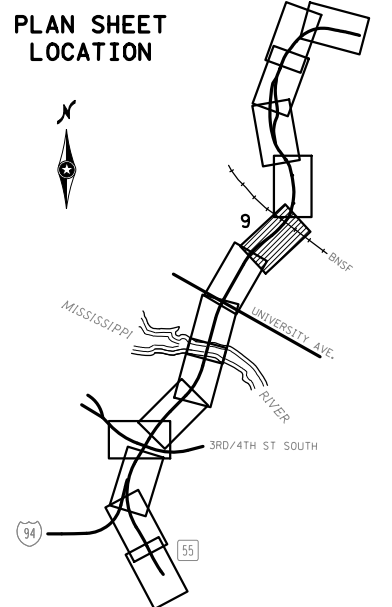
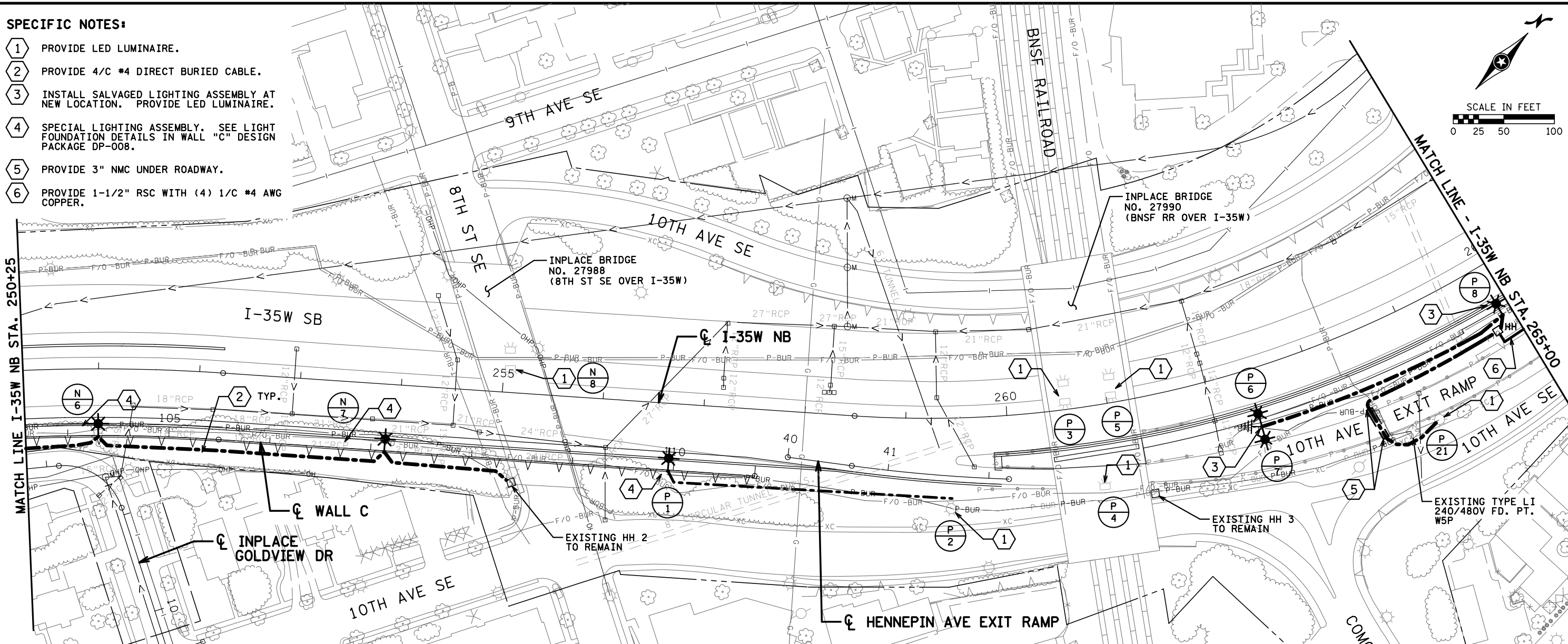
RELEASED FOR CONSTRUCTION  
 MOOD: *[Signature]*  
 DATE: 7/31/14

**LIGHTING PLAN**  
 I-35W NB STA. 265+00 TO 280+00

TH-35W/4TH STREET  
 DESIGN BUILD PROJECT  
 S.P. 2783-136  
 Sheet No. 21-L110 of 28 Sheets

**SPECIFIC NOTES:**

- 1 PROVIDE LED LUMINAIRE.
- 2 PROVIDE 4/C #4 DIRECT BURIED CABLE.
- 3 INSTALL SALVAGED LIGHTING ASSEMBLY AT NEW LOCATION. PROVIDE LED LUMINAIRE.
- 4 SPECIAL LIGHTING ASSEMBLY. SEE LIGHT FOUNDATION DETAILS IN WALL "C" DESIGN PACKAGE DP-008.
- 5 PROVIDE 3" NMC UNDER ROADWAY.
- 6 PROVIDE 1-1/2" RSC WITH (4) 1/C #4 AWG COPPER.



FEEDPOINT N AND P LIGHTING STANDARDS AND BASES								
NO.	ROADWAY	STATION	X	Y	LUMINAIRE	TYPE	BASE	ACCESS
N6	WALL C	104+30.25	537136.108	171083.545	49' LED	9B-40 *	TRANS	180
N7	WALL C	107+13.59	537353.273	171265.338	49' LED	9B-40 *	TRANS	180
N8	I-35W NB	EXISTING	EXISTING	EXISTING	LED	UNDERPASS		
P1	WALL C	109+94.82	537571.465	171442.771	49' LED	9B-40 *	TRANS	180
P2	I-35W NB	EXISTING	EXISTING	EXISTING	49' LED	9-49	EXISTING	180
P3	I-35W NB	EXISTING	EXISTING	EXISTING	LED	UNDERPASS		
P4	I-35W NB	EXISTING	EXISTING	EXISTING	LED	UNDERPASS		
P5	I-35W NB	EXISTING	EXISTING	EXISTING	LED	UNDERPASS		
P6	I-35W NB	262+40	537971.317	171875.736	49' LED	9D-49	TRANS	90
P8	I-35W NB	264+90	538070.027	172118.937	49' LED	9-49	TRANS	180
P21	I-35W NB	EXISTING	EXISTING	EXISTING	40' LED	9-40	EXISTING	180

\* SEE 21-L131 FOR POLE HEIGHT

0	7-23-14	CJL	DP-021 SUBMITTAL FOR RFC
1	12-18-15	RPM	AS-BUILTS
NO.	DATE	BY	DESCRIPTION OF REVISIONS

DR: SFH  
DES: JRY  
CHK: CJL

I HEREBY CERTIFY THAT THIS PLAN WAS PREPARED BY ME OR UNDER MY DIRECT SUPERVISION AND THAT I AM A DULY LICENSED PROFESSIONAL ENGINEER UNDER THE LAWS OF THE STATE OF MINNESOTA.

SIGNATURE: *Christopher J. Leiter*  
PRINTED NAME: CHRISTOPHER J. LEITER  
DATE: 12/18/2015 LIC. NO. 47889



**LIGHTING PLAN**  
I-35W NB STA. 250+25 TO 265+00

TH-35W/4TH STREET  
DESIGN BUILD PROJECT  
S.P. 2783-136

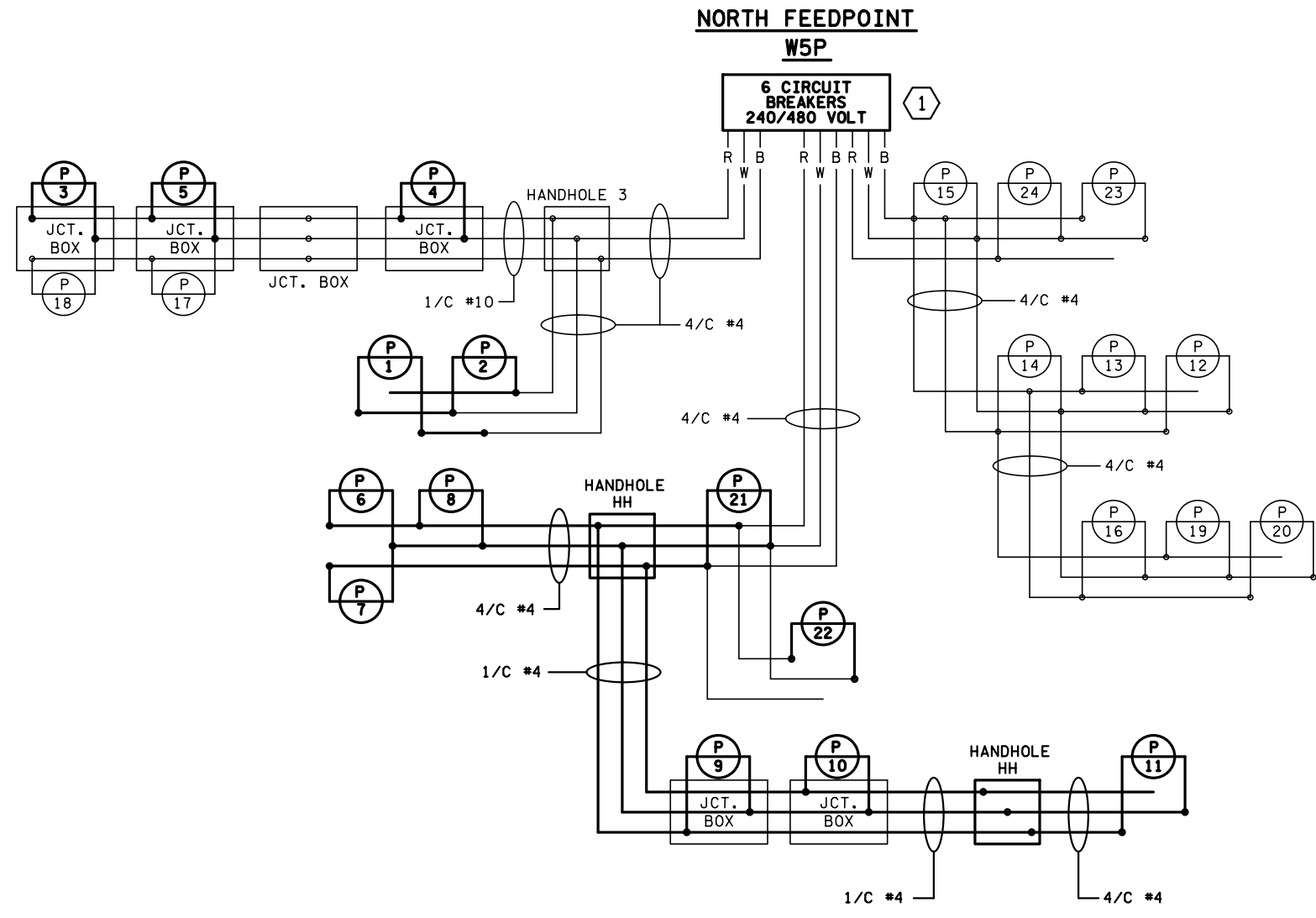
Sheet No. 21-L109 of 28 Sheets

DATE: 12/17/2015 TIME: 1:57:42 PM  
FILE NAME: K:\v-z\Shafar\Contracting\Co\15470000\my-brdg\AS-BUILT\Lighting\cd2783136\_1109.dgn

DATE: 12/17/2015 TIME: 1:58:01 PM  
 FILE NAME: K:\v-r-z\ShafarContracting\Co\5470000\hwy-brdg\AS-BUILT\S\pln-r-shf\DP-021 Perim-Lighting\cd2783136\_wire-ll17.dgn

B AND R DENOTE CURRENT CARRYING CONDUCTORS  
 W DENOTES NEUTRAL CONDUCTOR

**SPECIFIC NOTES:**  
 1 REMOVE 20A/1P BREAKERS AND REPLACE WITH 20A/2P BREAKERS. MATCH EXISTING MANUFACTURER AND AIC RATING. TYPICAL OF ALL (3) CIRCUITS.



0	7-23-14	CJL	DP-021 SUBMITTAL FOR RFC
1	12-18-15	RPM	AS-BUILTS
NO.	DATE	BY	DESCRIPTION OF REVISIONS

DR: SFH  
 DES: JRY  
 CHK: CJL

I HEREBY CERTIFY THAT THIS PLAN WAS PREPARED BY ME OR UNDER MY DIRECT SUPERVISION AND THAT I AM A DULY LICENSED PROFESSIONAL ENGINEER UNDER THE LAWS OF THE STATE OF MINNESOTA.

SIGNATURE: *Christopher J. Leiter*  
 PRINTED NAME: CHRISTOPHER J. LEITER  
 DATE: 12/18/2015 LIC. NO. 47889



LIGHTING PLAN  
 WIRE DIAGRAM  
 W5P

TH-35W/4TH STREET  
 DESIGN BUILD PROJECT  
 S.P. 2783-136

Sheet No. 21-LI17 of 28 Sheets