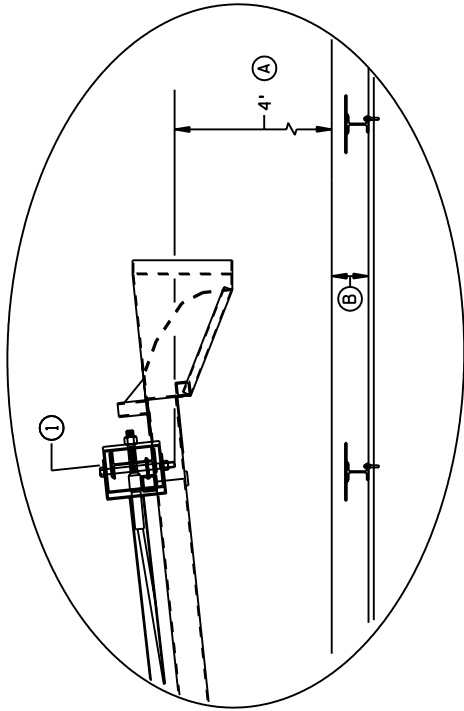
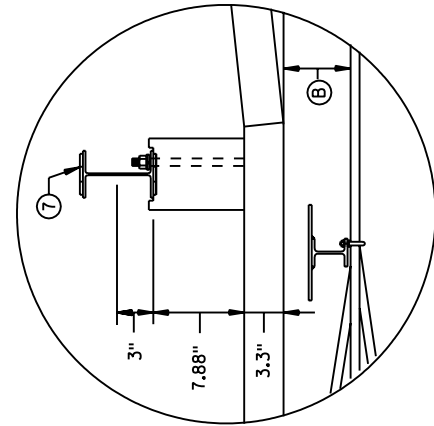


PLAN



POST NO. 1 INSET



POST NO. 7 INSET

NOTES:

- (A) THE 4' OFFSET IS MEASURED FROM A TANGENT LINE EXTENDING FROM THE FRONT FACE OF THE W-BEAM GUARDRAIL AT POSTS (8) AND (9) TOWARDS APPROACHING TRAFFIC.
- (B) 6" ± FOR I-BEAM POST.  
4" ± FOR FLANGED CHANNEL POST.  
1" MAXIMUM.

APPROVED JANUARY 20, 2006

*Milakovic*  
STATE DESIGN ENGINEER

STATE OF MINNESOTA  
DEPARTMENT OF TRANSPORTATION  
3-CABLE (STEEL POSTS)  
TO W BEAM (STEEL POSTS)  
GUARDRAIL TRANSITION

SPECIFICATION  
REFERENCE  
2554  
3401

STANDARD  
PLATE  
NO.  
8340A