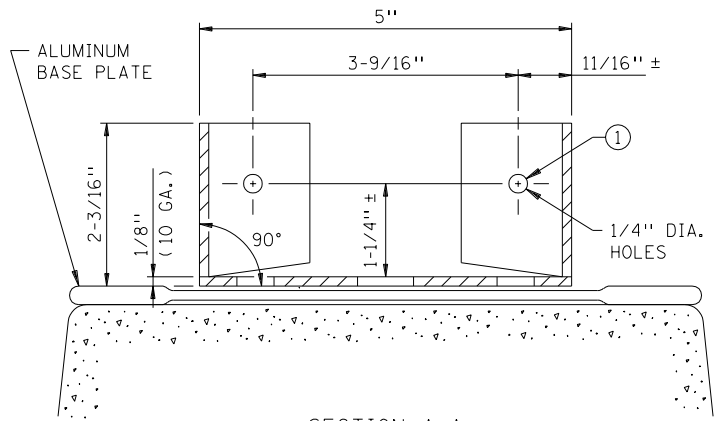


PLAN VIEW

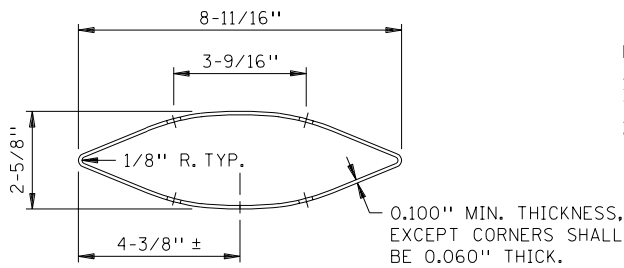
BASE PLATE BRACKET DETAIL



SECTION A-A

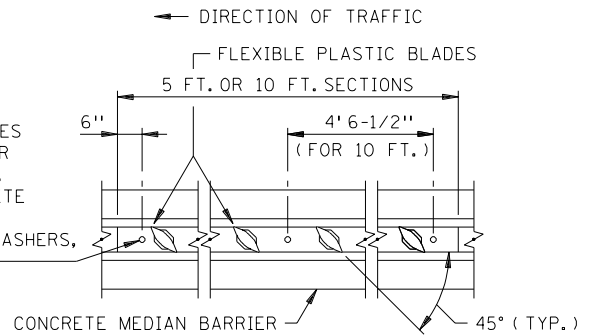
BASE PLATE TO BE ALUMINUM PER SPEC 3336. ALL STEEL TO BE GALVANIZED AFTER FABRICATION PER SPEC. 3394. ALL HARDWARE SHALL BE GALVANIZED PER SPEC. 3392 OR EQUAL.

- ① ATTACH BLADE TO BRACKET WITH FOUR (4) HEX HEAD TYPE B SELF-TAPPING SCREWS (5/16" DIA. X 5/8" LONG) WITH ONE 5/16" I.D. X 7/8" O.D. FLAT WASHER PER SCREW.
- ② CONNECTION TO THE BASE PLATE SHALL CONSIST OF TWO 1/4" DIA. X 1/2" LONG BOLTS WITH NUT AND ONE FLAT WASHER AND ONE LOCK WASHER PER BOLT.
- ③ THE ANCHORAGE SHALL BE APPROVED BY THE ENGINEER PRIOR TO USE ON THE PROJECT AND SHALL HAVE A MINIMUM PULL-OUT STRENGTH OF 2000 LBS.



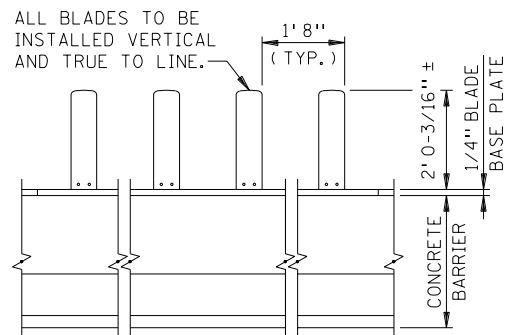
SECTION B-B

THREE 5/8" DIA. HOLES PER BASE PLATE FOR ATTACHING 1/2" DIA. X 2-3/4" LG CONCRETE ANCHORS, WITH NUTS, WASHERS AND LOCKWASHERS, TO BARRIER. ③



DIRECTION OF TRAFFIC

PLAN VIEW

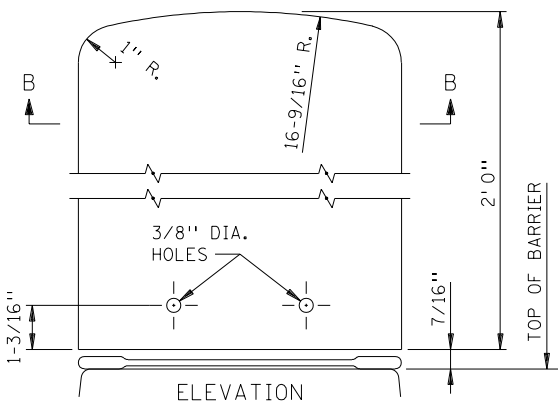


ELEVATION

INSTALLATION DETAIL

STAGGER BLADES AS REQUIRED TO AVOID CONSTRUCTION AND EXPANSION JOINTS IN CONCRETE BARRIER.

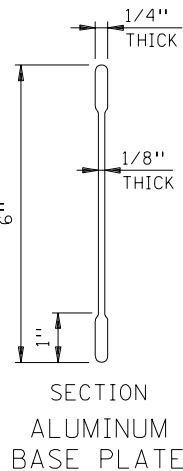
WHEN MOUNTED ON SPLIT MEDIAN BARRIER, GLARE SCREEN SHALL BE ERECTED ON THE HIGHEST BARRIER.



ELEVATION

FLEXIBLE PLASTIC BLADE DETAIL

PLASTIC BLADES SHALL BE HIGH DENSITY, GREEN POLYETHYLENE PLASTIC



SECTION ALUMINUM BASE PLATE

APPROVED Nov. 15, 1984

R.H. Sullivan
Assistant Division Director
Technical Services

STATE OF MINNESOTA
DEPARTMENT OF TRANSPORTATION

FLEXIBLE PLASTIC GLARE SCREEN

SPECIFICATION
REFERENCE

1703

REVISED
4-28-98

STANDARD
PLATE
NO.

8326D