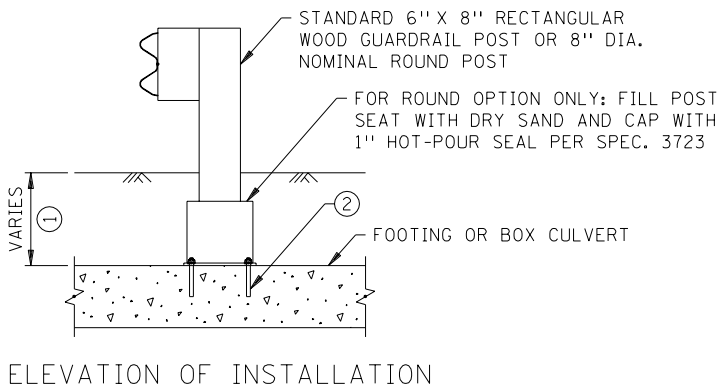
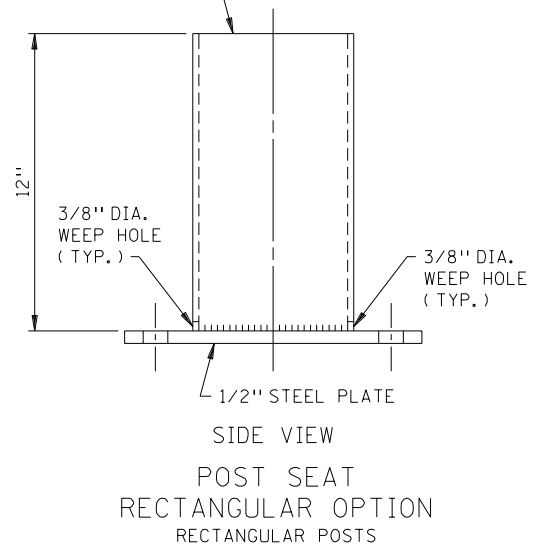


1/4" X 8" X 6" RECTANGULAR STRUCTURAL STEEL TUBING. TRIM WOOD POSTS TO FIT TUBING AS REQUIRED.



NOTES:

GALVANIZE AFTER FABRICATION PER SPEC. 3394.
SEE SPEC. 3306 FOR STRUCTURAL STEEL REQUIREMENTS, EXCEPT STEEL PILE SHELLS, SEE SPEC. 3371.

- ① IF EMBEDMENT IS GREATER THAN 3' 0" OR IF EMBEDMENT IS 2' 6" TO 3' 0" AND ADJACENT POSTS ARE EMBEDDED 3' 0" OR MORE, POST SEAT IS NOT REQUIRED.
- ② 3/4" BOLT ANCHORAGES FOR FASTENING POST SEAT SHALL HAVE AN ULTIMATE PULL OUT STRENGTH OF AT LEAST 13,500 LBS. AND SHALL BE INSTALLED IN SOUND CONCRETE TO A DEPTH EQUAL TO AT LEAST 6 TIMES THE BOLT DIAMETER.

APPROVED Dec. 8, 1981
R. H. Sullivan
Assistant Division Director
Technical Services

STATE OF MINNESOTA
DEPARTMENT OF TRANSPORTATION
POST SEAT FOR ANCHORAGE
ON FOOTING OR BOX CULVERTS

SPECIFICATION
REFERENCE
2554
REVISED
8-10-99 A.K.J.

STANDARD
PLATE
NO.
8316C