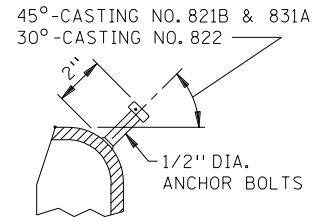
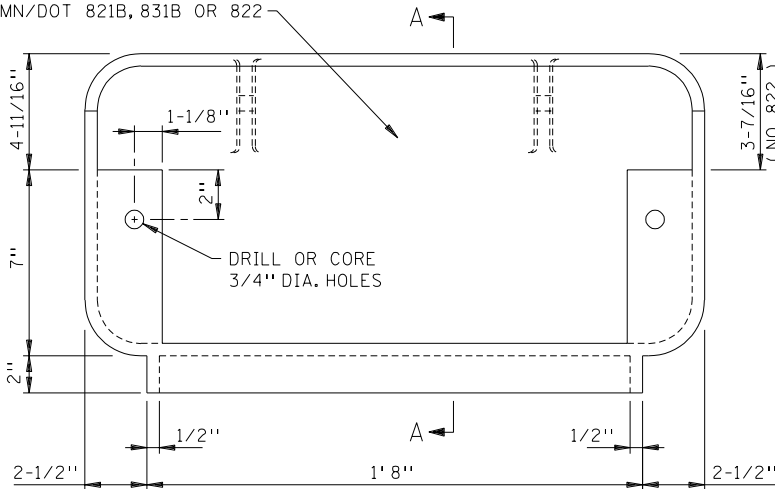


TOP VIEW

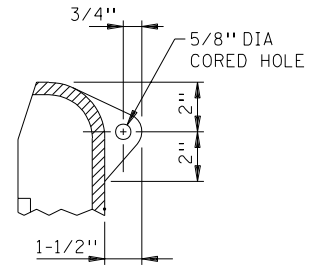


ALTERNATE SECTION

PLACE IN 1" DEPRESSED LETTERS
MN/DOT 821B, 831B OR 822

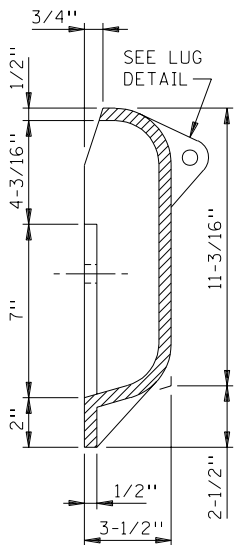


FRONT VIEW

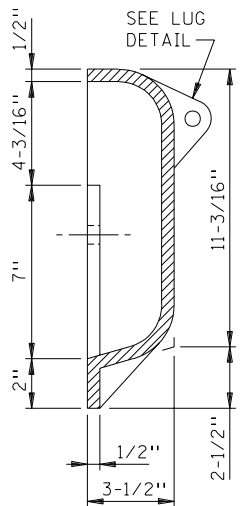


SECTION

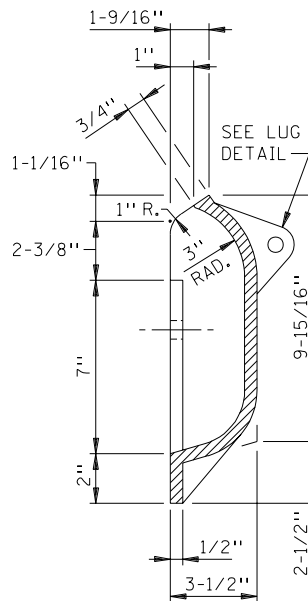
LUG DETAIL



SECTION A-A
CASTING NO. 821B



SECTION A-A
CASTING NO. 831A



SECTION A-A
CASTING NO. 822

NOTES:

- USE 1/4" FILLETS IN CORNERS.
- ALL RADII ARE 2-1/4" UNLESS NOTED.
- PLAN AND ELEVATION SHOWN FOR CASTING NO. 821B. OTHER CASTINGS SIMILAR SEE SECTION VIEWS FOR VARIOUS DIMENSIONS.
- FURNISH TWO 1/2" DIA. X 1-1/4" LG. CAP SCREWS WITH CUT WASHERS. CURB BOX TO BE ATTACHED TO GRATE FRAME TEMPORARILY WITH CAP SCREWS DURING CONSTRUCTION. CAP SCREWS TO BE REMOVED AFTER CURB HAS HARDENED.
- SEE STD. PLATE 7111, FOR FIELD CONSTRUCTION REQUIREMENTS.

CURB BOX CASTING NO 821 B (FOR DESIGN B CURBS)
CURB BOX CASTING NO. 831 A (FOR DESIGN V CURBS)
CURB BOX CASTING NO. 822 (FOR DESIGN S CURBS)

APPROVED Dec. 10, 1982

R. H. Sullivan
Assistant Division Director
Technical Services

STATE OF MINNESOTA
DEPARTMENT OF TRANSPORTATION
CURB BOX CASTING FOR
CATCH BASIN

SPECIFICATION
REFERENCE

2506

STANDARD
PLATE
NO.

4161F