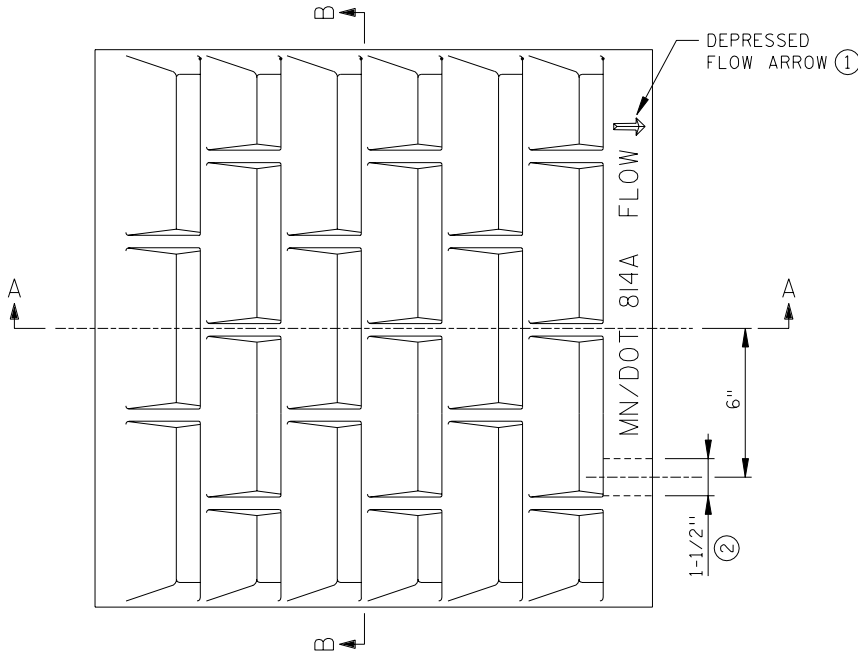
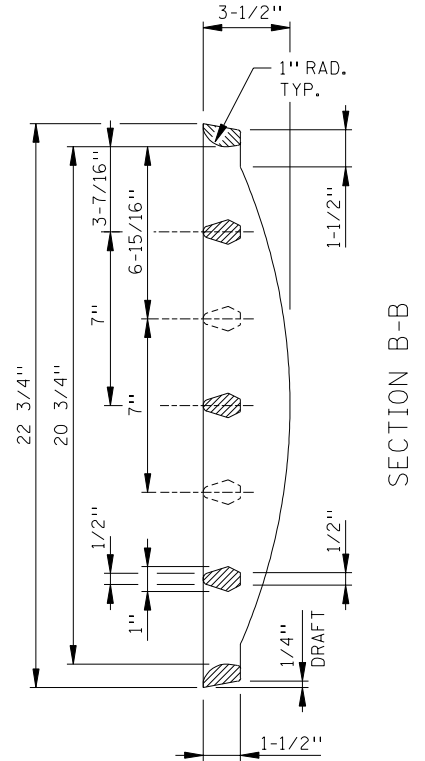


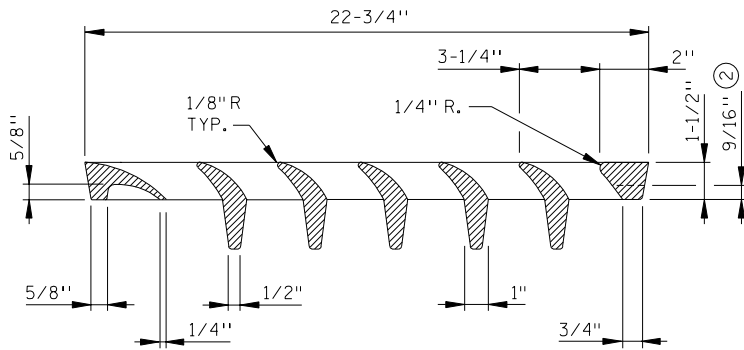
RIB DETAIL



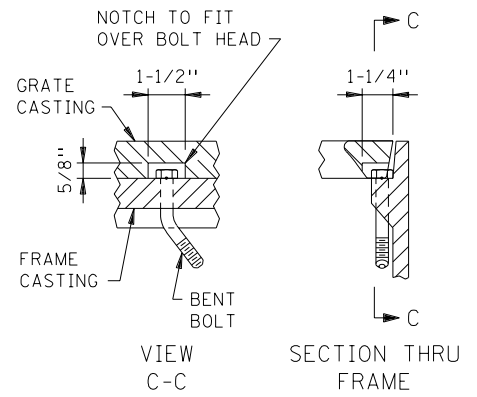
TOP VIEW



SECTION B-B



SECTION A-A



VIEW C-C SECTION THRU FRAME  
GRATE AND FRAME WITH BOLT INSTALLED

- ① INSTALLED GRATE WITH ARROW IN DIRECTION OF FLOW.
- ② NOTCH PROVIDED TO FIT OVER BOLT HEAD IN FRAME TO PREVENT WRONG ALIGNMENT OF VANES. SEE DETAIL SHOWN.

NOTE:

GRATE CASTING IS BICYCLE SAFE WHEN INSTALLED IN CORRECT POSITION.  
THIS GRATE IS TO BE USED WITH CATCH BASIN FRAME CASTING NO. 802A, 805, OR 806.

GRATE CASTING 814A

APPROVED **Feb. 27, 1991**  
*R.M. Hill*  
DIRECTOR  
OFFICE OF TECHNICAL SUPPORT

STATE OF MINNESOTA  
DEPARTMENT OF TRANSPORTATION

CATCH BASIN GRATE CASTING

SPECIFICATION  
REFERENCE  
2506

STANDARD  
PLATE  
NO.  
4152C