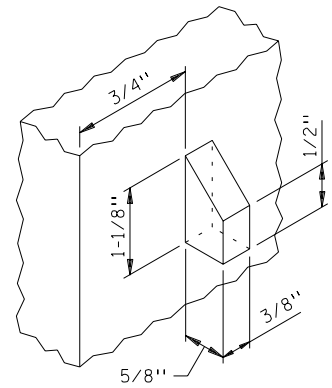
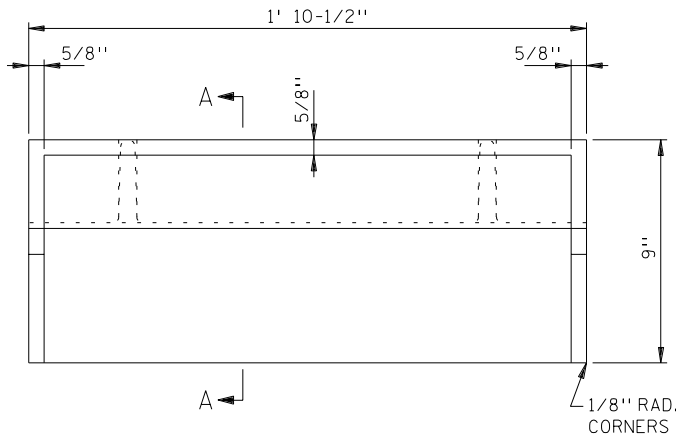


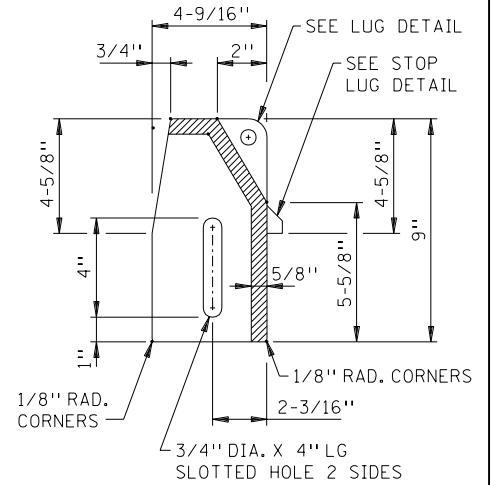
TOP VIEW



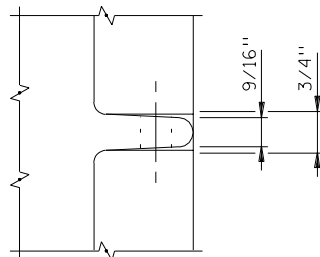
STOP LUG DETAIL



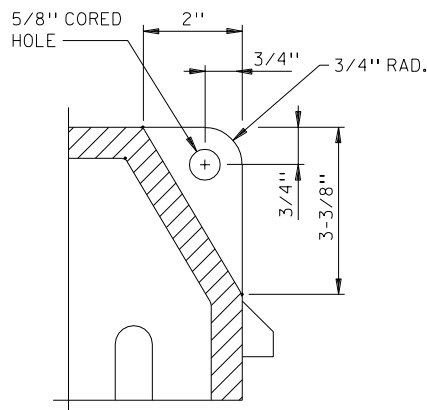
FRONT VIEW



SECTION A-A



PLAN



SECTION LUG DETAIL

NOTES:

- USE 1/4" FILLETS UNLESS OTHERWISE NOTED.
- SEE STD. PLATE 7111, "INSTALLATION OF CATCH BASIN CASTINGS" FOR CONSTRUCTION REQUIREMENTS.

CURB BOX CASTING NO. 824  
 APPROXIMATE WEIGHT - 50 LBS.

APPROVED March 8, 1982

*R.H. Sullivan*  
 Assistant Division Director  
 Technical Services

STATE OF MINNESOTA  
 DEPARTMENT OF TRANSPORTATION

CURB BOX CASTING FOR CATCH BASIN

SPECIFICATION  
 REFERENCE

2506

STANDARD  
 PLATE  
 NO.

4133A