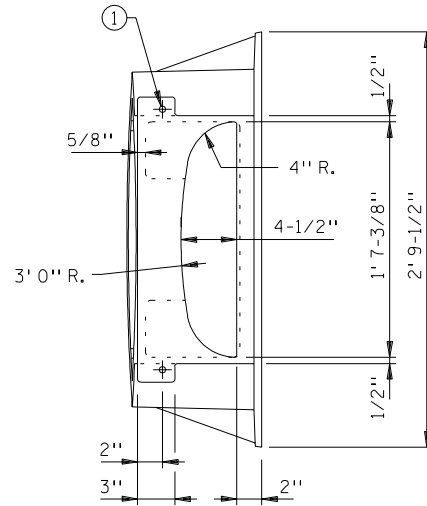
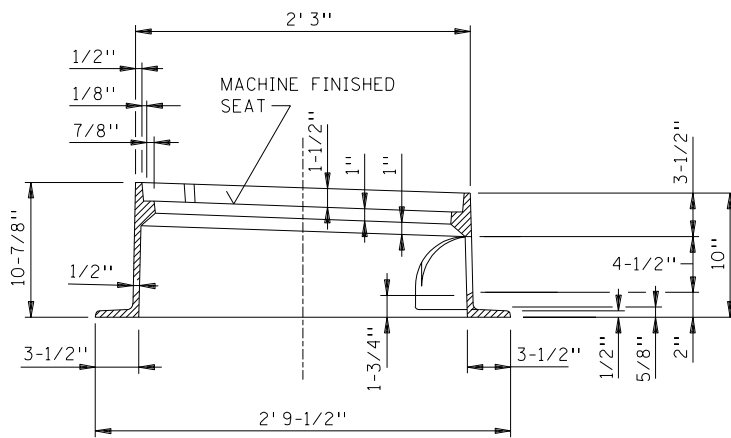


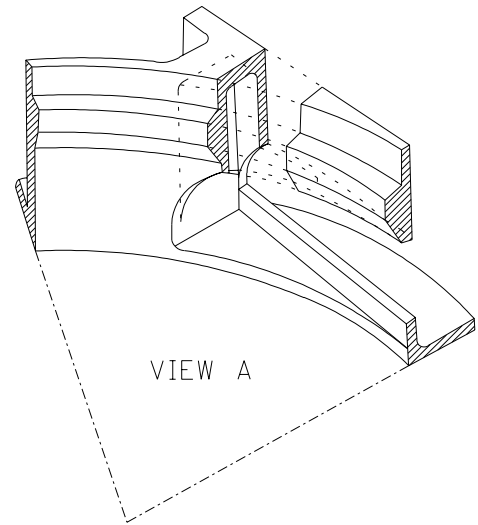
TOP VIEW



END VIEW



SECTION A-A



VIEW A

NOTES:

USE 1/4" FILLETS IN ALL CORNERS.

SEE STANDARD PLATE 7111, "INSTALLATION OF CATCH BASIN CASTINGS" FOR CONSTRUCTION REQUIREMENTS.

- ① LUG (2 THUS) DRILL BLIND HOLE FOR 1/2" CAP SCREW. TAP TO 3/4" DEPTH.
- ② APPLIES TO DESIGN B OR V CURB AND CURB & GUTTER.
- ③ USE WITH DESIGN S CURB.

CASTINGS USED FOR ASSEMBLY

GRATE FRAME	NO. 801
GRATE	NO. 810
CURB BOX ②	NO. 821B OR 831A
CURB BOX ③	NO. 822

GRATE FRAME CASTING NO. 801

APPROVED April 5, 1989

R.H. Sullivan

Director
Materials, Research and Standards

STATE OF MINNESOTA
DEPARTMENT OF TRANSPORTATION

CATCH BASIN FRAME CASTING

SPECIFICATION
REFERENCE

2506

STANDARD
PLATE
NO.

4126F