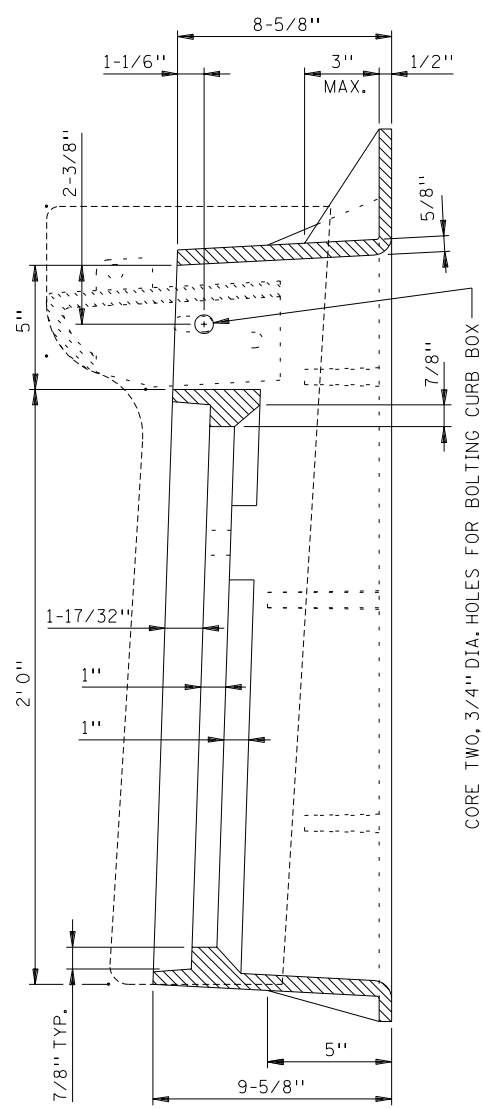


TOP VIEW



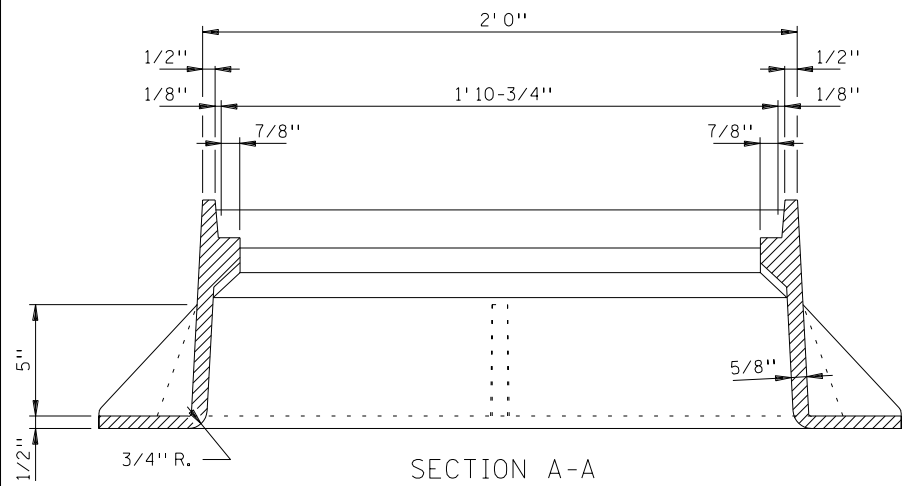
SECTION B-B

CASTINGS USED FOR ASSEMBLY	
GRATE	NO. 811, 814A, 815, 816
CURB BOX ①	NO. 824 OR 825

NOTES:

- APPROVED ALTERNATE FRAME CASTINGS MAY BE USED.
- FOR USE WITH 30" DIAMETER CATCH BASIN. USE 1/4" FILLETS IN ALL CORNERS. SEE STD. PLATE 7111, "INSTALLATION OF CATCH BASIN CASTINGS" FOR CONSTRUCTION REQUIREMENTS.
- ① APPLIED TO DESIGN B CURB AND CURB & GUTTER.
- ② AT LOCATIONS INDICATED IN TOP VIEW. PROVIDE 5/8" DIA. X 1" SLOTTED HOLES WHEN GRATE NO. 816 IS TO BE USED WITH THIS FRAME. FIELD PLACE 1/2" DIA. X 4" LONG GALVANIZED BOLT IN UP STREAM SIDE AND BEND UNDERSIDE TO PREVENT REMOVAL. THIS WILL PREVENT GRATE NO. 816 FROM BEING PLACED IN WRONG DIRECTION AND NOT BEING BICYCLE SAFE.

GRATE FRAME CASTING NO. 806



SECTION A-A

APPROVED MARCH 8, 1996
Donald J. Robinson
 STATE DESIGN ENGINEER

STATE OF MINNESOTA
 DEPARTMENT OF TRANSPORTATION
CATCH BASIN FRAME CASTING
 (FOR SQUARE GRATE)

SPECIFICATION
 REFERENCE
 2506

STANDARD
 PLATE
 NO.
 4125D