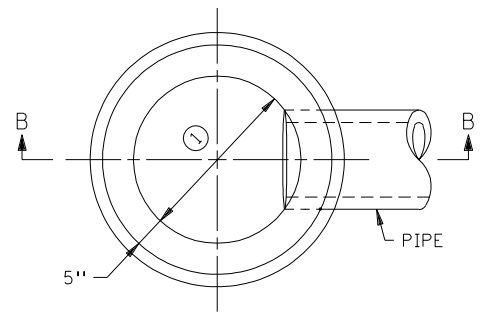
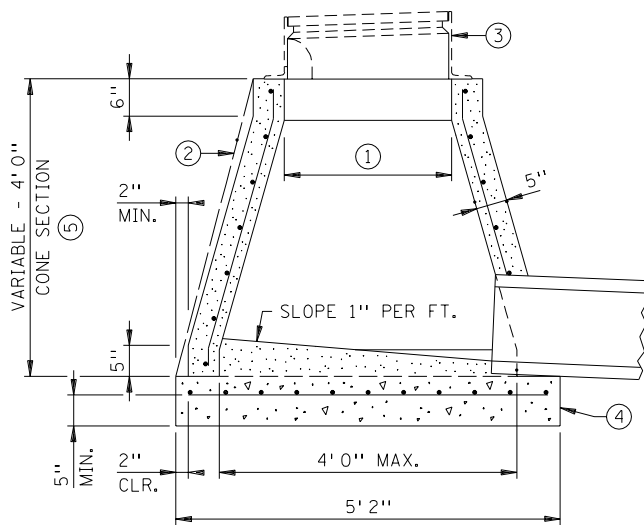


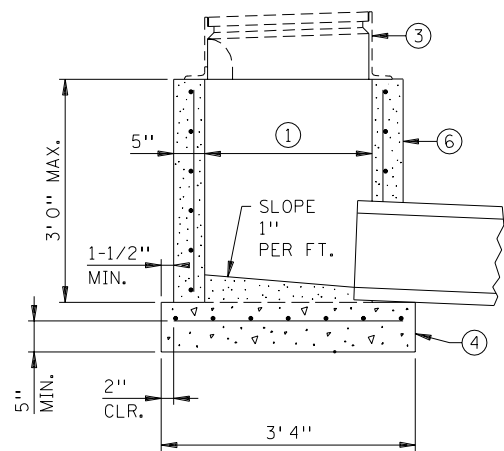
TOP VIEW
REINFORCEMENT NOT SHOWN



TOP VIEW
REINFORCEMENT NOT SHOWN



SECTION A-A
DESIGN G



SECTION B-B
DESIGN H

NOTES:

REINFORCING: SINGLE LINE STEEL WIRE FABRIC HAVING AN AREA OF NOT LESS THAN 0.12 SQ. IN. PER FOOT OF HEIGHT.

- ① 2' 3" NOM. OPENING. WHEN GRATE FRAME CASTING NO. 802A OR NO. 805 IS USED, SEE STANDARD PLATES CASTING LIST.
- ② A STRAIGHT TAPERED WALL IS ACCEPTABLE.
- ③ REFER TO PLAN FOR CASTINGS REQUIRED. USE ADJUSTING RINGS WHERE NECESSARY, SEE STANDARD PLATES INDEX. CASTING AND PRECAST CONC. ADJUSTING RINGS, SHALL BE SET ON FULL MORTAR BEDS.
- ④ 8 IN. POURED CONCRETE BASE. BASE REINFORCEMENT: 0.12 SQ. IN. PER FT. IN EACH DIRECTION. AN APPROVED ALTERNATE PRECAST CONCRETE BASE MAY BE USED.

- ⑤ HEIGHT OF STRUCTURE MAY BE INCREASED UP TO 1 FT. BY THE USE OF A PRECAST SECTION OR CONCRETE BLOCK CONSTRUCTION ABOVE THE CONE SECTION. SEE STANDARD PLATE 4002 FOR BLOCK CONSTRUCTION.
- ⑥ AS AN ALTERNATE, BRICK OR CONCRETE BLOCK MASONRY MAY BE USED. FOR MATERIALS & CONSTRUCTION METHODS, SEE STANDARD PLATE 4002. CONE SECTION DETAILS OF 4002 DO NOT APPLY.

DESIGN G
DESIGN H

APPROVED JULY 31, 1995
Donald J. Rodbruch
STATE DESIGN ENGINEER

STATE OF MINNESOTA
DEPARTMENT OF TRANSPORTATION
MANHOLE OR CATCH BASIN
PRECAST

SPECIFICATION
REFERENCE
2506
REVISED
8-22-96

STANDARD
PLATE
NO.
4006L