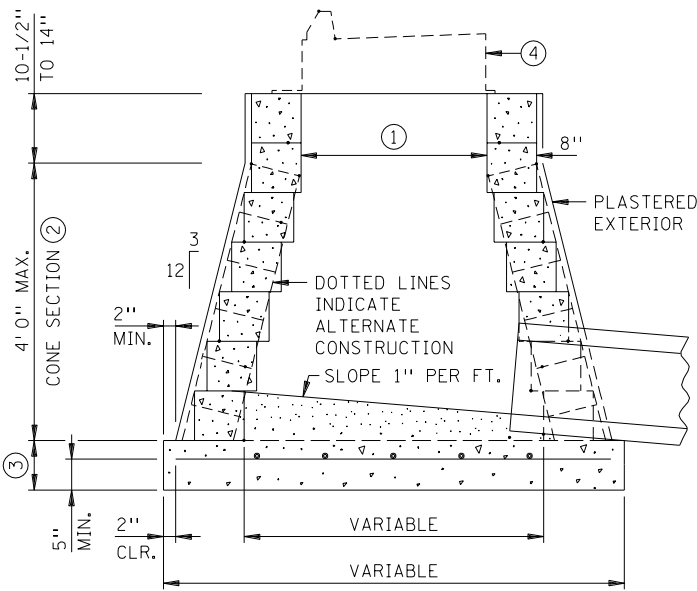
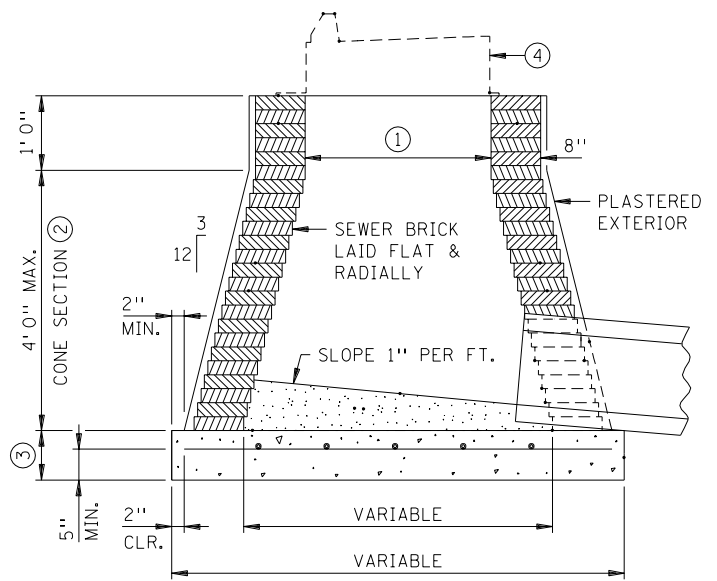


TOP VIEW  
MASONRY & BRICK



SECTION  
MASONRY UNITS



SECTION  
SEWER BRICK

NOTES:

- ① 2' 3" NORMAL OPENING. WHEN GRATE FRAME CASTING NO. 806 (SEE STANDARD PLATES CASTING LIST) IS USED, THE OPENING SHALL BE 2' 6".
- ② WHEN THE CONE SECTION EXCEEDS THE MAXIMUM SHOWN, STRUCTURE DESIGN "A" SHALL APPLY.
- ③ 8" POURED CONCRETE BASE. FOR ALTERNATE PRECAST CONCRETE BASE, SEE STANDARD PLATES INDEX. BASE REINFORCEMENT: 0.12 SQUARE INCHES PER FOOT IN EACH DIRECTION.
- ④ REFER TO PLAN FOR CASTINGS REQUIRED. USE ADJUSTING RINGS WHERE NECESSARY, SEE STANDARD PLATES INDEX. CASTING AND PRECAST CONC. ADJUSTING RINGS, SHALL BE SET ON FULL MORTAR BEDS.

DESIGN C

APPROVED OCTOBER 17, 1994

*Gerald J. Rodbruch*

STATE DESIGN ENGINEER

STATE OF MINNESOTA  
DEPARTMENT OF TRANSPORTATION  
MANHOLE OR CATCH BASIN  
MASONRY  
FIELD CONSTRUCTION

SPECIFICATION  
REFERENCE  
2506

REVISED  
8-22-96

STANDARD  
PLATE  
NO.

4002F