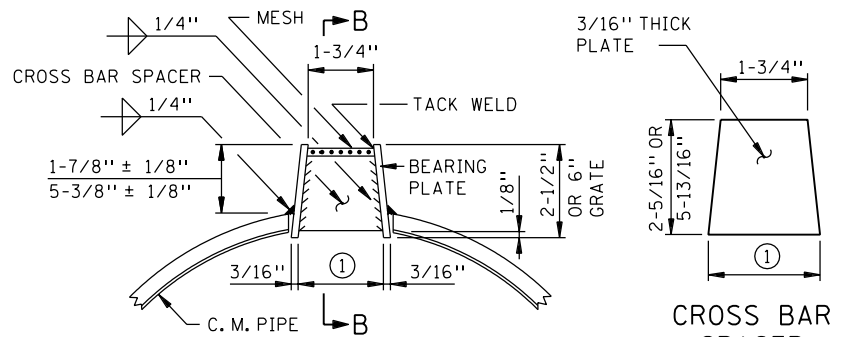
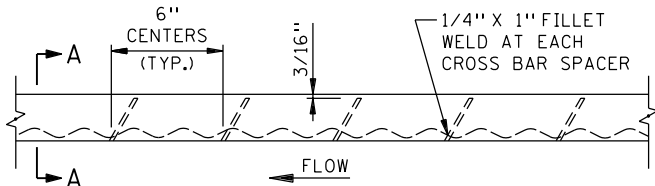


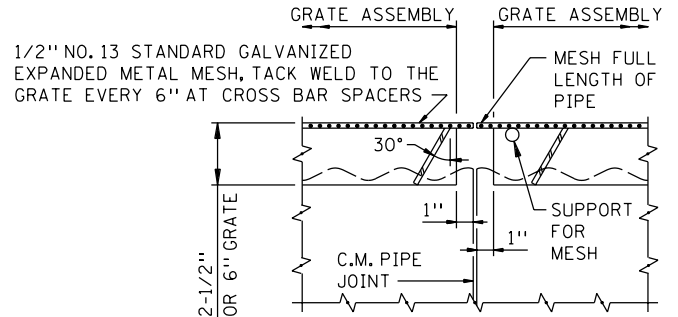
SECTION A-A
STANDARD GRATE SLOT DETAIL
TYPE 1



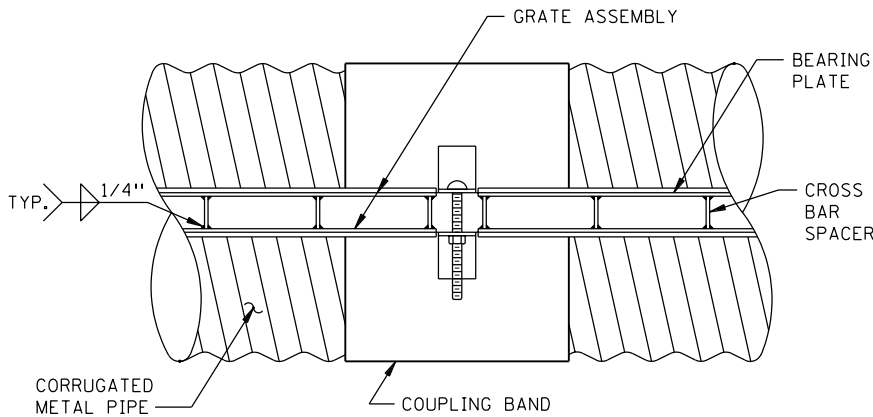
SECTION A-A
OPTIONAL GRATE SLOT DETAIL
FOR INCLUSION OF MESH
TYPE 2



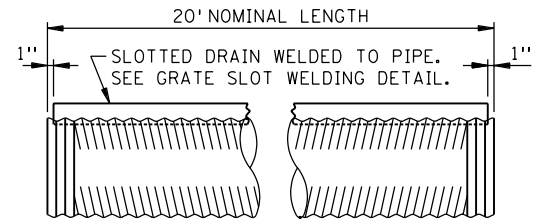
GRATE SLOT WELDING DETAIL



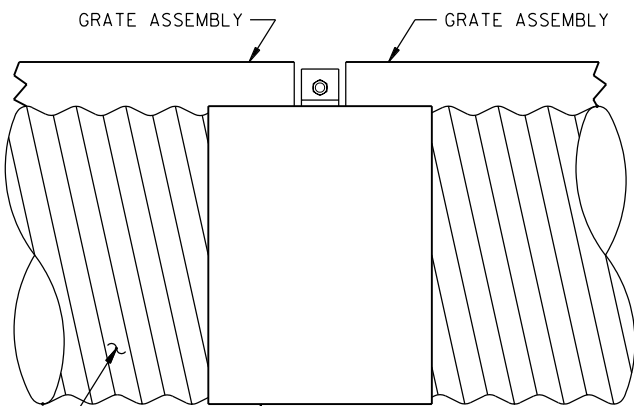
SECTION B-B



TOP VIEW



GRATE SLOT DRAIN



SIDE VIEW

TYPICAL COUPLING BAND

NOTES:

- PIPE THICKNESS SHALL BE 14 GAGE (0.79").
- DEPTH OF GRATES REQUIRED WILL BE SHOWN ON THE PLANS.
- INSTALLATION OF THE SLOTTED DRAIN UNDER THE TRAVELED WAY IS NOT ALLOWED.
- GRATE ASSEMBLIES SHALL CONFORM TO THE PROVISIONS OF SPEC. 3306 AND SHALL BE GALVANIZED AFTER FABRICATION AS PER SPEC. 3394.
- ALL WELDED LOCATIONS SHALL BE PAINTED WITH HIGH ZINC DUST CONTENT PAINT IN ACCORDANCE WITH EITHER SPEC 3518 OR SPEC. 3520 AFTER ATTACHING TO PIPE.
- SLOTTED DRAINS SHALL BE FURNISHED IN 20 FT. LENGTHS WHENEVER PRACTICAL TO MINIMIZE THE NUMBER OF JOINTS REQUIRED.
- TOLERANCES - 20' FINISHED LENGTHS
 - VERTICAL BOW ± 3/8"
 - HORIZONTAL BOW ± 5/8"
 - TWIST ± 1/2"

① 2-1/4" FOR 2-1/2" GRATE
3" FOR 6" GRATE.

APPROVED MAY 22, 2001

[Signature]
STATE DESIGN ENGINEER

STATE OF MINNESOTA
DEPARTMENT OF TRANSPORTATION
SLOTTED DRAIN FOR
12" THROUGH 30" DIA. C.M. PIPE
2-1/2" OR 6" DEEP GRATE (NOT STACKABLE)

SPECIFICATION
REFERENCE

1703
2503

STANDARD
PLATE
NO.

3138B