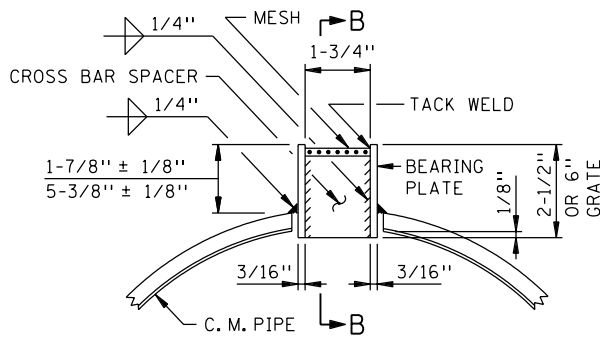
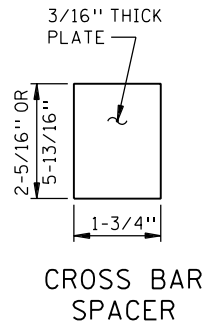


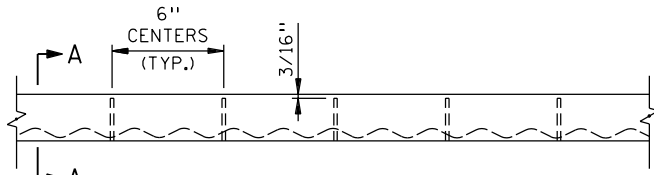
SECTION A-A  
STANDARD GRATE SLOT DETAIL  
TYPE 1



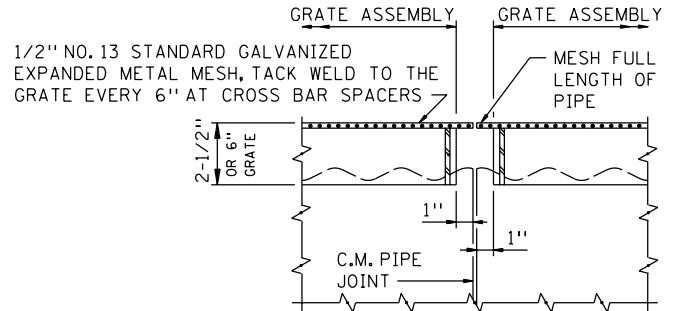
SECTION A-A  
OPTIONAL GRATE SLOT DETAIL  
FOR INCLUSION OF MESH  
TYPE 2



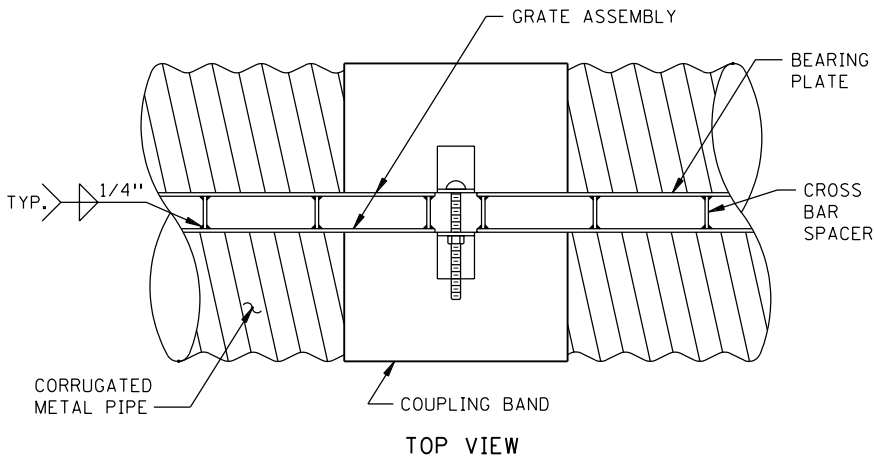
CROSS BAR SPACER



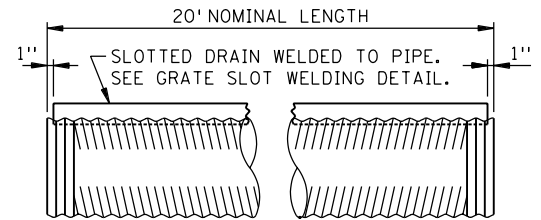
GRATE SLOT WELDING DETAIL



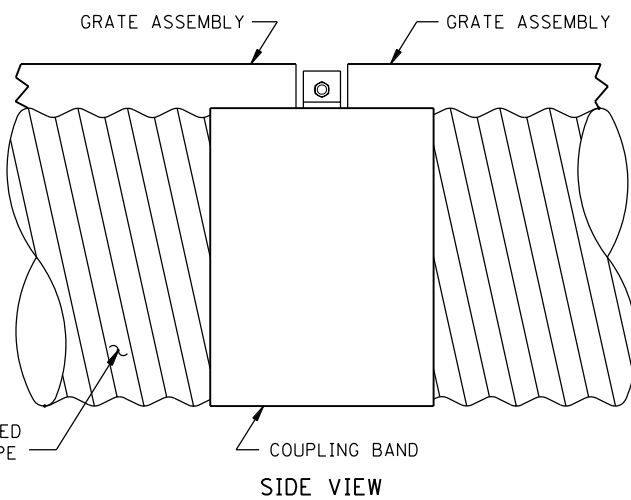
SECTION B-B



TOP VIEW



GRATE SLOT DRAIN



TYPICAL COUPLING BAND

**NOTES:**

PIPE THICKNESS SHALL BE 14 GAGE (0.79").  
DEPTH OF GRATES REQUIRED WILL BE SHOWN ON THE PLANS.

INSTALLATION OF THE SLOTTED DRAIN UNDER THE TRAVELED WAY IS NOT ALLOWED.

GRATE ASSEMBLIES SHALL CONFORM TO THE PROVISIONS OF SPEC. 3306 AND SHALL BE GALVANIZED AFTER FABRICATION AS PER SPEC. 3394.

ALL WELDED LOCATIONS SHALL BE PAINTED WITH HIGH ZINC DUST CONTENT PAINT IN ACCORDANCE WITH EITHER SPEC. 3518 OR SPEC. 3520 AFTER ATTACHING TO PIPE.

SLOTTED DRAINS SHALL BE FURNISHED IN 20 FT. LENGTHS WHENEVER PRACTICAL TO MINIMIZE THE NUMBER OF JOINTS REQUIRED.

- TOLERANCES - 20' FINISHED LENGTHS  
- VERTICAL BOW ± 3/8"  
- HORIZONTAL BOW ± 5/8"  
- TWIST ± 1/2"

APPROVED May 22, 2001

*[Signature]*  
STATE DESIGN ENGINEER

STATE OF MINNESOTA  
DEPARTMENT OF TRANSPORTATION  
**SLOTTED DRAIN FOR**  
**12" THROUGH 30" DIA. C.M. PIPE**  
2-1/2" OR 6" DEEP GRATE (STACKABLE)

SPECIFICATION  
REFERENCE  
1703  
2503

STANDARD  
PLATE  
NO.  
**3137B**