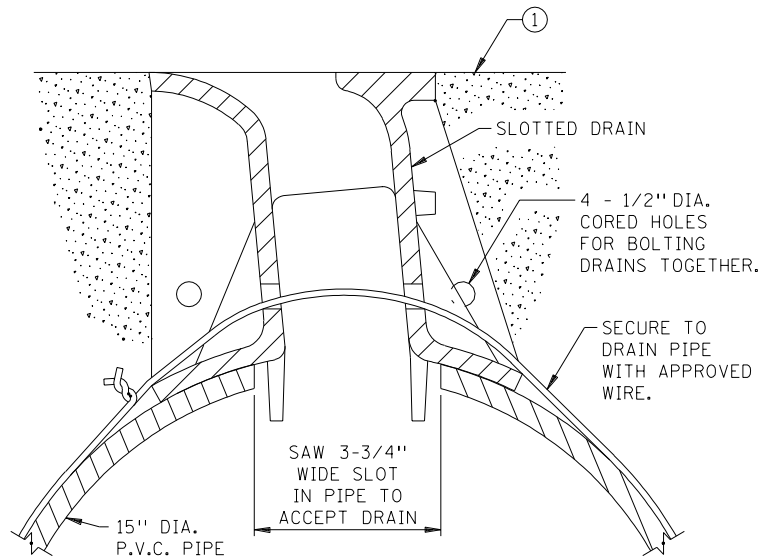
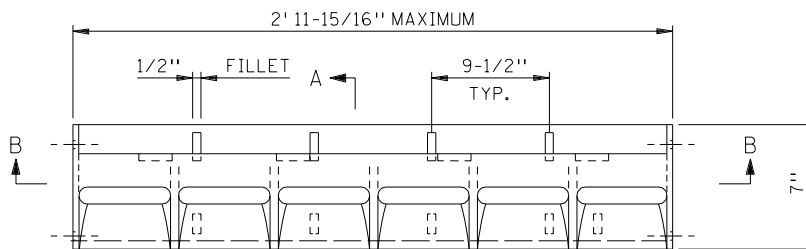


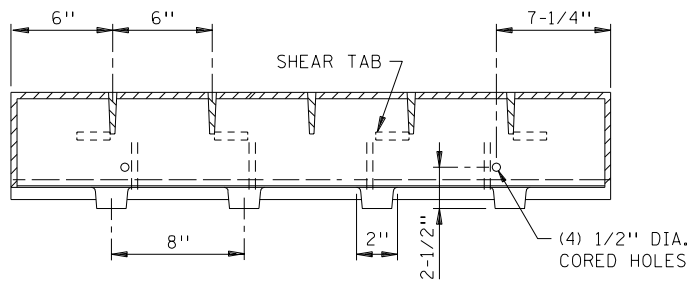
SECTION A-A



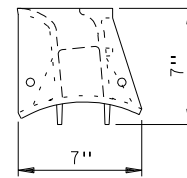
ATTACHMENT DETAIL



TOP VIEW



SECTION B-B



END VIEW

NOTE:

MATERIAL: CAST GRAY IRON ASTM A-48 CLASS 35B.

① P.V.C. PIPE TO BE INCASED IN 1000 P.S.I. CONCRETE 6" THICK ON EACH SIDE AND BOTTOM OF PIPE.

APPROVED AUGUST 17, 1998

Delbert W. Gerdes
STATE DESIGN ENGINEER

STATE OF MINNESOTA
DEPARTMENT OF TRANSPORTATION

SLOTTED VANE DRAIN
FOR P.V.C. PIPE

SPECIFICATION
REFERENCE

1703
2503

STANDARD
PLATE
NO.

3136B