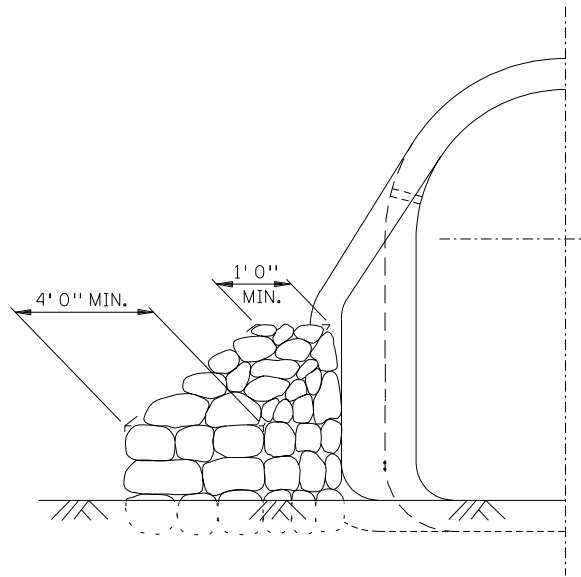


TYPICAL SECTION ALONG \bar{C}
OF CULVERT OR CATTLE PASS



HALF END VIEW
PRECAST CONCRETE CATTLE PASS

NOTE:
4 CU. YDS. OF HAND-PLACED RIPRAP IS REQUIRED
AT ENDS OF PRECAST CONCRETE CATTLE PASS.

APPROVED Oct. 1, 1966

W. A. Ebern

ASSISTANT COMMISSIONER
ENGINEERING STANDARDS

STATE OF MINNESOTA
DEPARTMENT OF TRANSPORTATION

HAND PLACED RIPRAP AT
PRECAST CONCRETE CATTLE PASS

SPECIFICATION
REFERENCE

2414
2512

STANDARD
PLATE
NO.

3135A