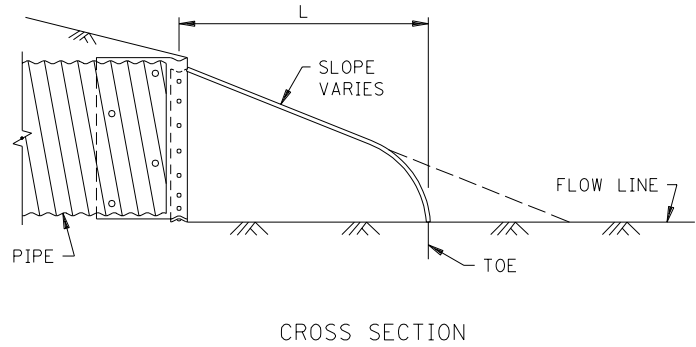
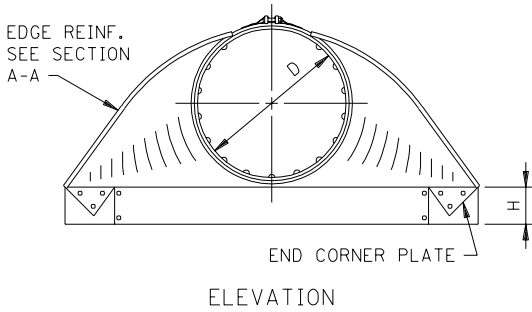
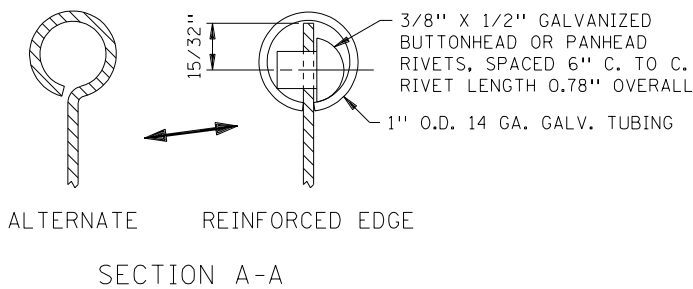


TYPE NO. 2
USE ON PIPE WITH ANNULAR CORRUGATIONS



DIMPLED ADAPTER BAND CONNECTION
USE ON PIPE WITH HELICAL CORRUGATIONS



PIPE SIZE (IN.)		GAUGE	DIMENSIONS				
I.D.	O.D.		A (IN.)	B (IN.)	H (IN.)	L (IN.)	W (IN.)
12	15	16	7	10	6	21	24
15	19	16	8	12	6	26	30
18	21	16	8	13.25	6	31	36
24	27.5	16	10	20.25	6	41	48

NOTE:
CORRUGATED POLYETHYLENE PIPE
SHALL CONFORM TO AASHTO M294.

APPROVED Feb. 26, 1987

R.H. Sullivan

Director

Materials, Research and Standards

STATE OF MINNESOTA
DEPARTMENT OF TRANSPORTATION
METAL APRON FOR
CORRUGATED POLYETHYLENE PIPE
USE AT ENTRANCES & DRIVEWAYS

SPECIFICATION
REFERENCE

2501

STANDARD
PLATE
NO.

3129A