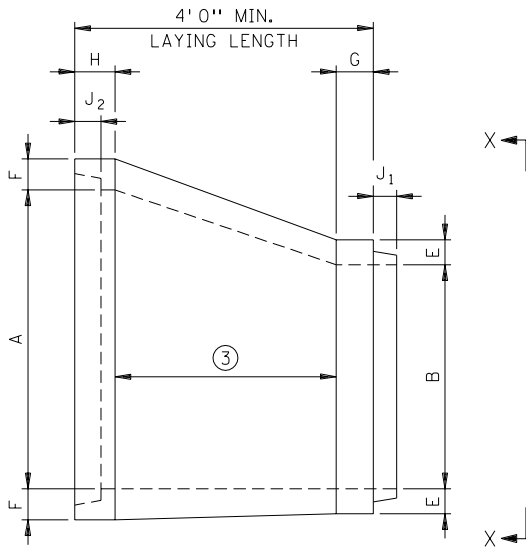
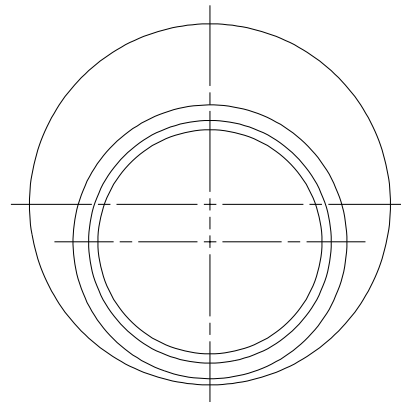


TOP VIEW

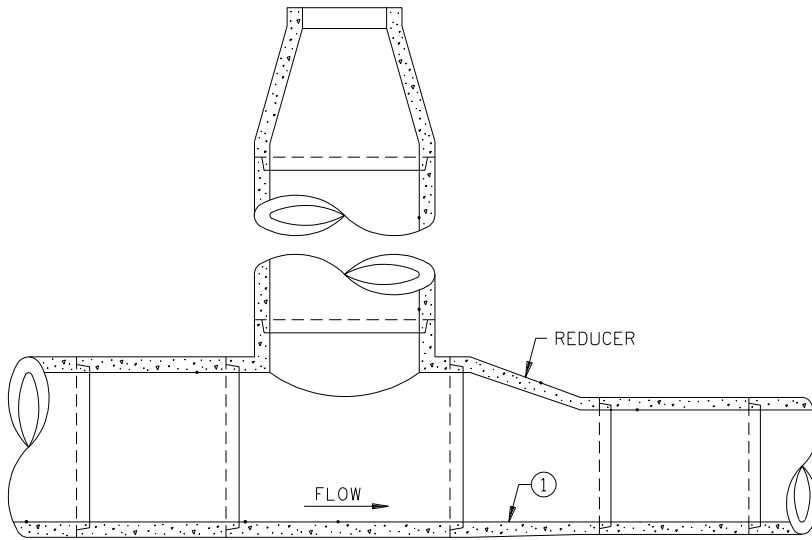


SIDE VIEW

DIAMETER (IN.)		E (IN.)	F (IN.)	G (2) (IN.)	H (2) (IN.)	J ₁ (2) (IN.)	J ₂ (2) (IN.)
18 - 12		2	2-1/2	4	4	1-3/4	2-1/4
24 - 18		2-1/2	3	4	5	2-1/4	2-3/4
30 - 24		3	3-1/2	3-1/2	5	2-3/4	3-1/4
30 - 27		3-1/4	3-1/2	6	6	3	3-1/4
36 - 30		3-1/2	4	4	5	3-1/4	3-3/4
36 - 33		3-3/4	4	6	6	3-1/2	3-3/4
42 - 33		3-3/4	4-1/2	6	6	3-1/2	4
42 - 36		4	4-1/2	6	6-1/2	3-3/4	4
48 - 36		4	5	6	6-1/2	3-3/4	4-1/4
48 - 42		4-1/2	5	6	6-1/2	4	4-1/4
54 - 48		5	5-1/2	6	6-1/2	4-1/4	4-1/2
60 - 48		5	6	6	6-1/2	4-1/4	5
60 - 54		5-1/2	6	6	6-1/2	4-1/2	5
66 - 60		6	6-1/2	6	6-1/2	5	5-1/2
72 - 66		6-1/2	7	8	8	5-1/2	6
78 - 66		6-1/2	7-1/2	6-1/2	7-1/2	5-1/2	6-1/2
78 - 72		7	7-1/2	8	8	6	6-1/2
84 - 78		7-1/2	8	8	8	6-1/2	7



VIEW X-X



LONGITUDINAL SECTION

NOTES:

SEE STANDARD PLATE 3000 FOR REINF. AND ADDITIONAL REQUIREMENTS. USE THE LARGEST AMOUNT OF REINFORCEMENT IN THE REDUCER PIPE AS DETERMINED BY DIAMETER OR CLASS OF ADJACENT PIPES.

JETCRETING WILL BE ALLOWED AS APPROVED BY THE OFFICE OF MATERIALS AND RESEARCH.

- ① INVERT ELEV. MAY BE HELD OR DROPPED AS NECESSARY. OPTION SHOWN HOLDS ELEVATION.
- ② IF THE JOINT OF STANDARD PLATE 3006 IS USED, THESE VALUES SHALL BE MADE THE APPROPRIATE VALUES OF STANDARD PLATE 3006.
- ③ MINIMUM TAPER LENGTH SHALL BE 4' 0" MINUS (G + H).

APPROVED January 21, 1983

R.H. Sullivan
Assistant Division Director
Technical Services

STATE OF MINNESOTA
DEPARTMENT OF TRANSPORTATION
REINFORCED CONCRETE
REDUCER PIPE

SPECIFICATION
REFERENCE
2501
2502
2503

STANDARD
PLATE
NO.
3001B