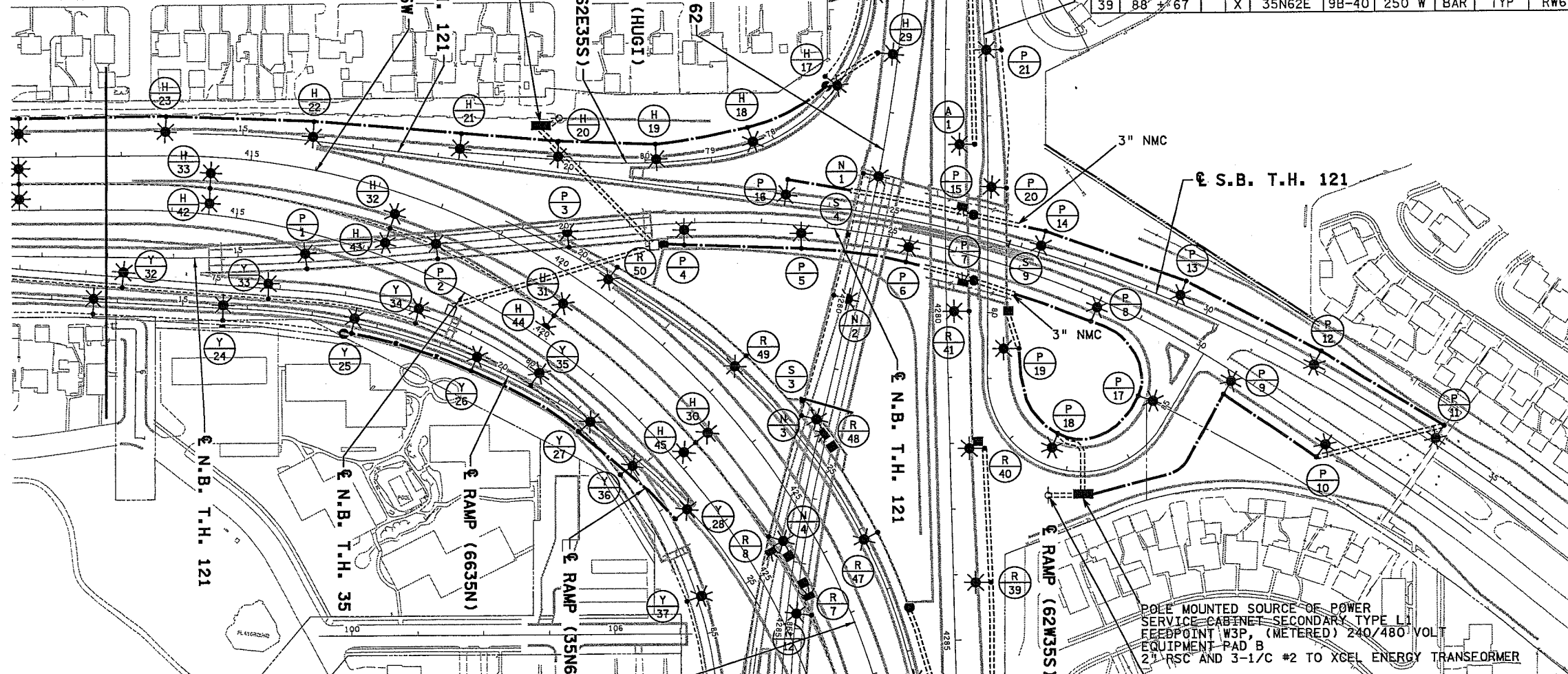


SEE SHEET NO.1324 FOR LEGEND

- NOTES:
1. ALL CONDUIT SHALL BE 1 1/2" NMC (UNLESS OTHERWISE NOTED)
 2. DIRECT BURIED CABLE SHALL BE ARMORED CABLE WITH 4-1/2" #4 CONDUCTORS.
 3. ALL DISTRIBUTION CABLE IN CONDUIT SHALL BE 3-1/2" #4 WITH 1-1/2" #4 GND (UNLESS OTHERWISE NOTED)
 4. CONNECTING INPLACE LIGHTING UNITS TO THE NEW LIGHTING CIRCUITS IS INCIDENTAL TO THE CONDUIT & WIRE.
 5. ABANDON ASSOCIATED EXISTING CONDUIT IN PLACE.

POLE MOUNTED SOURCE OF POWER SERVICE CABINET SECONDARY TYPE L2 FEEDPOINT BF1, (METERED) 240/480 VOLT EQUIPMENT PAD B 2" RSC AND 3-1/2" #3/0 TO XCEL ENERGY TRANSFORMER



FEED POINT "W3R"									
LIGHTING STANDARDS AND BASES									
NO.	STATION	LT.	RT.	LOCATION	TYPE	FIXTURE	BASE TYPE	POLE HEIGHT	WALL #
5	431 + 25	X		35W S.B.	9BD-49	400 W	MED.	TYP	N/A
6	428 + 41	X		35W S.B.	9BD-49	400 W	MED.	TYP	N/A
7	BRIDGE			BRIDGE	L	250 W	N/A	N/A	N/A
8	BRIDGE			BRIDGE	L	250 W	N/A	N/A	N/A
9	428 + 41	X		35W S.B.	9BD-49	400 W	MED	TYP	N/A
10	431 + 25	X		35W S.B.	9BD-49	400 W	MED	TYP	N/A
37	4288 + 12	X		62 W.B.	9B-40	250 W	BAR	TYP	RW48
38	4286 + 15	X		62 W.B.	9B-40	250 W	BAR	TYP	RW48
39	4284 + 13	X		62 W.B.	9-40	250 W	E	TYP	N/A
40	4282 + 09	X		62 W.B.	9-40	250 W	E	TYP	N/A
41	4280 + 00	X		62 W.B.	9B-40	250 W	BAR	TYP	RW73
46	28 + 45	X		62W35S	9-40	250 W	E	TYP	N/A
47	26 + 16	X		62W35S	9-40	250 W	BAR	TYP	RW64
48	BRIDGE			BRIDGE	L	250 W	N/A	N/A	N/A
49	22 + 89	X		62W35S	9B-40	250 W	BAR	TYP	RW64
50	20 + 55	X		62W35S	9B-40	250 W	BAR	TYP	N/A

FEED POINT "W3Y"									
LIGHTING STANDARDS AND BASES									
NO.	STATION	LT.	RT.	LOCATION	TYPE	FIXTURE	BASE TYPE	POLE HEIGHT	WALL #
24	15 + 63		X	6635N	9-40	250 W	BAR	TYP	RW1
25	17 + 64		X	6635N	9-40	250 W	E	TYP	N/A
26	19 + 55		X	6635N	9-40	250 W	E	TYP	N/A
27	21 + 46		X	35N62E	6-30	250 W	E	TYP	N/A
28	23 + 37		X	6635N	9-40	250 W	E	TYP	N/A
32	73 + 57		X	35N62E	9B-40	250 W	BAR	TYP	RW2
33	75 + 83		X	35N62E	9B-40	250 W	BAR	TYP	RW2
34	78 + 15		X	35N62E	9B-40	250 W	BAR	TYP	RW2
35	80 + 20		X	35N62E	6B-40	250 W	BAR	TYP	BRIDGE
36	82 + 19		X	35N62E	6B-40	250 W	BAR	TYP	BRIDGE
37	84 + 44		X	35N62E	9B-40	250 W	BAR	TYP	RW6
38	86 + 28		X	35N62E	9B-40	250 W	BAR	TYP	RW6
39	88 + 67		X	35N62E	9B-40	250 W	BAR	TYP	RW6

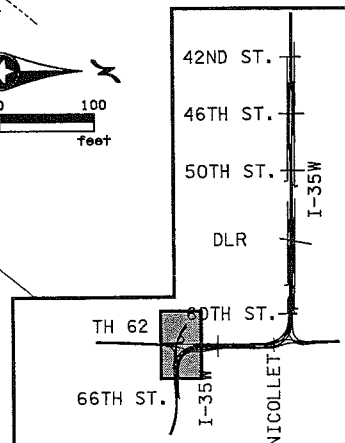
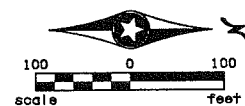
FEED POINT "W3H"									
LIGHTING STANDARDS AND BASES									
NO.	STATION	LT.	RT.	LOCATION	TYPE	FIXTURE	BASE TYPE	POLE HEIGHT	WALL #
16	75 + 20		X	62E35S	9B-40	250 W	BAR	TYP	RW54
17	76 + 73		X	62E35S	9B-40	250 W	BAR	TYP	RW54
18	78 + 31		X	62E35S	9-40	250 W	E	TYP	N/A
19	79 + 83		X	62E35S	9-40	250 W	E	TYP	N/A
20	81 + 35		X	62E35S	9-40	250 W	E	TYP	N/A
21	18 + 31		X	121 S.B.	9-40	250 W	E	TYP	N/A
22	16 + 06		X	121 S.B.	9-40	250 W	E	TYP	N/A
23	413 + 68		X	35W S.B.	9-40	250 W	E	TYP	N/A
29	4276 + 12		X	62 E.B.	9-49	400 W	H	TYP	N/A
30	422 + 81		X	35W N.B.	9BD-49	400 W	MED	TYP	N/A
31	420 + 01		X	35W N.B.	9BD-49	400 W	MED	TYP	N/A
32	417 + 28		X	35W N.B.	9BD-49	400 W	MED	TYP	N/A
33	414 + 55		X	35W N.B.	9BD-49	400 W	MED	TYP	N/A
42	414 + 55		X	35W N.B.	9BD-49	400 W	MED	TYP	N/A
43	417 + 28		X	35W N.B.	9BD-49	400 W	MED	TYP	N/A
44	420 + 01		X	35W N.B.	9BD-49	400 W	MED	TYP	N/A
45	422 + 81		X	35W N.B.	9BD-49	400 W	MED	TYP	N/A

FEED POINT "R3A"									
LIGHTING STANDARDS AND BASES									
NO.	STATION	LT.	RT.	LOCATION	TYPE	FIXTURE	BASE TYPE	POLE HEIGHT	WALL #
1	4277 + 44		X	62 W.B.	9-40	250 W	E	TYP	N/A
2	4273 + 74		X	62 W.B.	9B-49	400 W	BAR	TYP	RW49

FEED POINT "R3C"									
LIGHTING STANDARDS AND BASES									
NO.	STATION	LT.	RT.	LOCATION	TYPE	FIXTURE	BASE TYPE	POLE HEIGHT	WALL #
12	4272 + 73		X	62 E.B.	9B-49	400W	BAR	TYP	RW54

FEED POINT "W3P"									
LIGHTING STANDARDS AND BASES									
NO.	STATION	LT.	RT.	LOCATION	TYPE	FIXTURE	BASE TYPE	POLE HEIGHT	WALL #
1	16 + 05		X	121 N.B.	6B-40	250 W	BAR	TYP	BRIDGE
2	18 + 04		X	121 N.B.	6B-40	250 W	BAR	TYP	BRIDGE
3	20 + 05		X	121 N.B.	6B-40	250 W	BAR	TYP	BRIDGE
4	21 + 84		X	121 N.B.	9-40	250 W	E	TYP	N/A
5	23 + 60		X	121 N.B.	9-40	250 W	E	TYP	N/A
6	25 + 29		X	121 N.B.	9-40	250 W	E	TYP	N/A
7	BRIDGE			BRIDGE	L	250 W	N/A	N/A	N/A
8	28 + 31		X	121 N.B.	9-40	250 W	E	TYP	N/A
9	30 + 69		X	121 N.B.	9-40	250 W	E	TYP	N/A
10	32 + 40		X	121 N.B.	9-40	250 W	E	TYP	N/A
11	33 + 94		X	121 S.B.	9-40	250 W	E	TYP	N/A
12	31 + 80		X	121 S.B.	9-40	250 W	E	TYP	N/A
13	29 + 52		X	121 S.B.	9-40	250 W	E	TYP	N/A
14	27 + 28		X	121 S.B.	9-40	250 W	E	TYP	N/A
15	BRIDGE			BRIDGE	L	250 W	N/A	N/A	N/A
16	23 + 33		X	121 S.B.	9-40	250 W	E	TYP	N/A
17	84 + 91		X	121L	9-40	250 W	E	TYP	N/A
18	82 + 66		X	121L	9-40	250 W	E	TYP	N/A
19	80 + 54		X	121L	9-40	250 W	E	TYP	N/A
20	78 + 10		X	121L	9B-40	250 W	BAR	TYP	RW49
21	76 + 00		X	121L	9B-49	400 W	BAR	TYP	RW49

FEED POINT "W3N"									
LIGHTING STANDARDS AND BASES									
NO.	STATION	LT.	RT.	LOCATION	TYPE	FIXTURE	BASE TYPE	POLE HEIGHT	WALL #
1	4277 + 99		X	62 E.B.	6B-40	250 W	BAR	TYP	BRIDGE
2	4279 + 91		X	62 E.B.	6B-40	250 W	BAR	TYP	BRIDGE
3	4281 + 81		X	62 E.B.	6B-40	250 W	BAR	TYP	BRIDGE
4	4283 + 68		X	62 E.B.	6B-40	250 W	BAR	TYP	BRIDGE
5	4285 + 90		X	62 E.B.	6B-40	250 W	BAR	TYP	BRIDGE
6	4288 + 15		X	62 E.B.	9B-40	250 W	BAR	TYP	RW57
12	4284 + 78		X	62 E.B.	6B-40	250 W	BAR	TYP	BRIDGE
13	4287 + 06		X	62 E.B.	6B-40	250 W	BAR	TYP	BRIDGE
14	4289 + 28		X	62 E.B.	9B-40	250 W	BAR	TYP	RW9



POLE MOUNTED SOURCE OF POWER SERVICE CABINET SECONDARY TYPE L2 FEEDPOINT W3P (METERED) 240/480 VOLT EQUIPMENT PAD B 2" RSC AND 3-1/2" #2 TO XCEL ENERGY TRANSFORMER

S.O.P. XCEL ENERGY POLE MOUNTED TRANSFORMER

I hereby certify that this plan, specification, or report was prepared by me or under my direct supervision and that I am a duly Licensed Professional Electrical Engineer under the laws of the State of Minnesota.
 Print Name: **Brian D. HOLT**
 Date: 1-9-06 License #: 21428

DRAWN BY J. KRUSE
 DESIGNED BY J. KRUSE
 CHECKED BY B. HOLT
 COMM. NO. 0034702

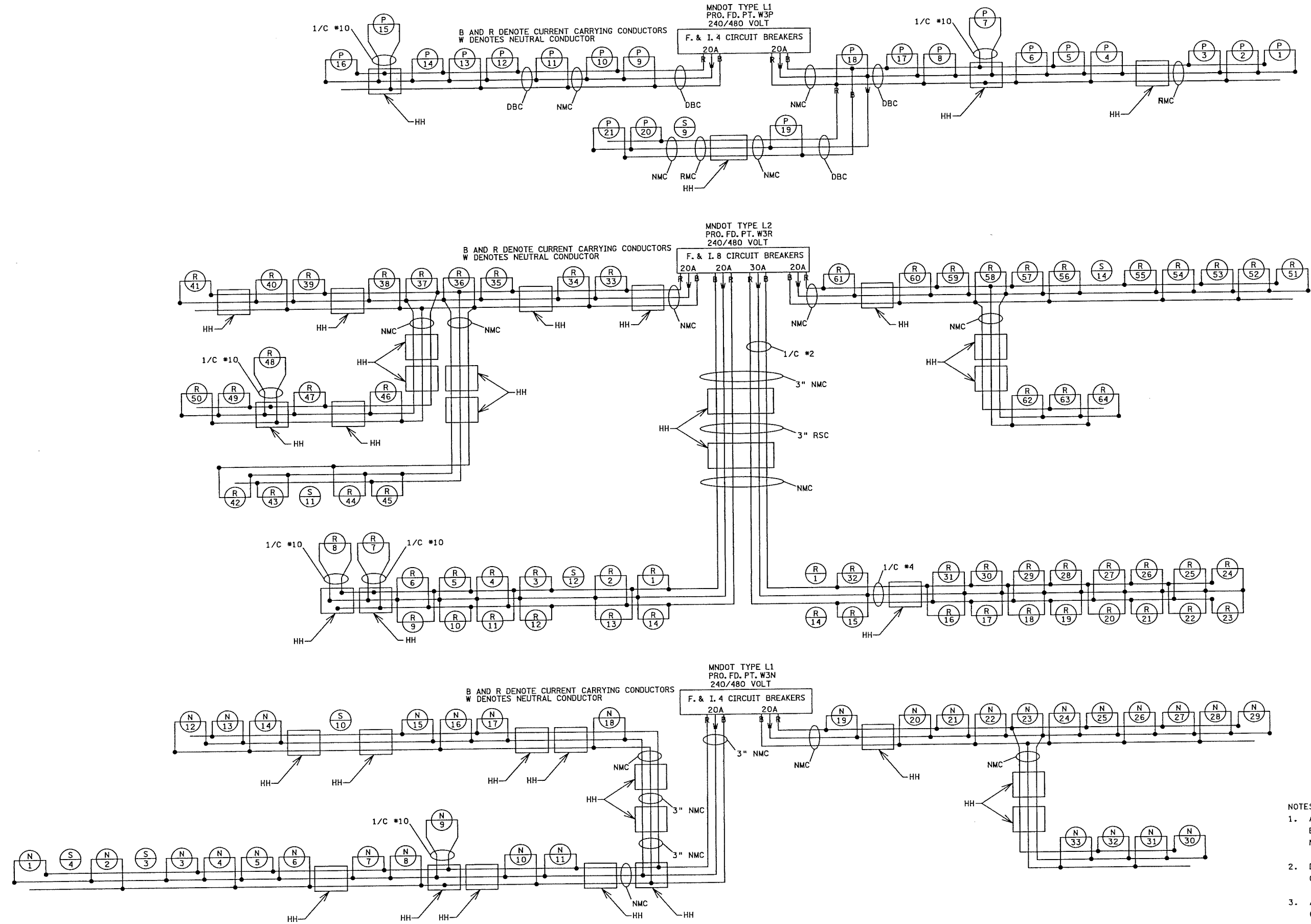


MINNESOTA DEPARTMENT OF TRANSPORTATION SHEET 1354 OF 1681
 LIGHTING PLAN
 S.P. 2782-281 (T.H. 35W)
 MAIN LINE

31.18.43 PM 1/5/2006

NO.	DATE	BY	CKD	APPR	REVISION

WHEN LIGHTS AND SIGNS ARE SHOWN BUT NOT CONNECTED, THIS SIGNIFIES A CIRCUIT BEING ROUTED THROUGH THE BASE BUT NOT TERMINATED THERE.



- NOTES:
1. ALL DISTRIBUTION CABLE IN CONDUIT SHALL BE 3-1/C #4 AND 1-1/C #4 GND (UNLESS OTHERWISE NOTED).
 2. DIRECT BURIED CABLE SHALL BE ARMORED CABLE WITH 4-1/C #4 CONDUCTORS.
 3. ALL CONDUIT SHALL BE 1 1/2\"

10/11/01 AM
 1/9/2006
 h:\proj\elect\4702-r\h1-mu\plan\c2782281.LTV.dgn

NO	DATE	BY	CKD	APPR	REVISION

I hereby certify that this plan, specification, or report was prepared by me or under my direct supervision and that I am a duly Licensed Professional Electrical Engineer under the laws of the State of Minnesota.

Print Name: **BRIAN D. HOLT**

Brian D Holt

Date: 1-9-06 License #: 21428

DRAWN BY
J. KRUSE

DESIGNED BY
J. KRUSE

CHECKED BY
B. HOLT

COMM. NO. 0034702

