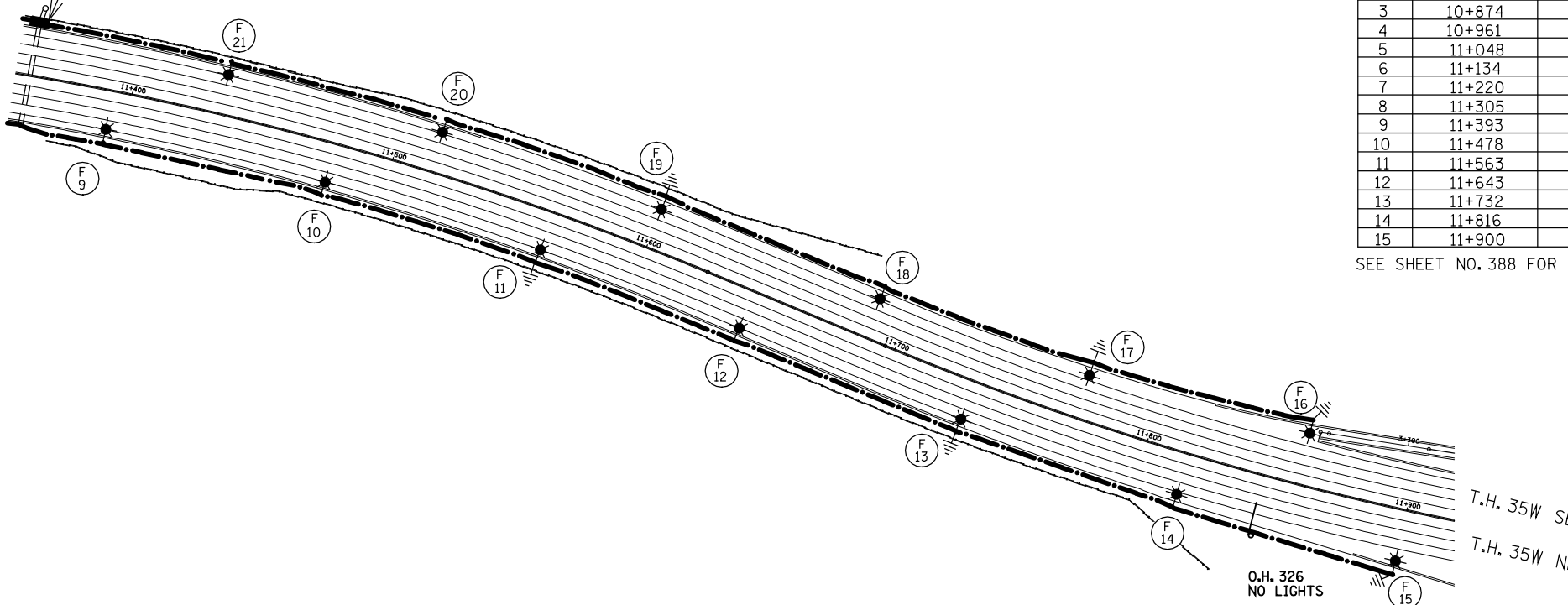


W. 70TH ST.
 PAD MOUNTED SOURCE OF POWER
 SERVICE CABINET SECONDARY TYPE L1
 FD. PT. NO. W3F, 240/480 V. METERED.
 F. & I. 53 mm R.S.C. AND 3-1/C NO. 2 TO
 NSP TRANSFORMER.
 EQUIPMENT PAD B REQUIRED.



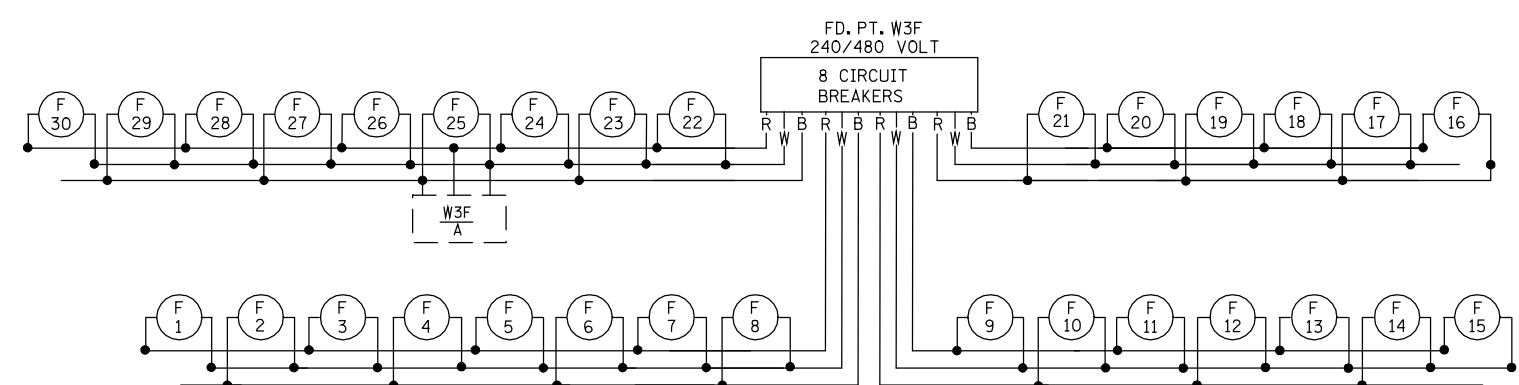
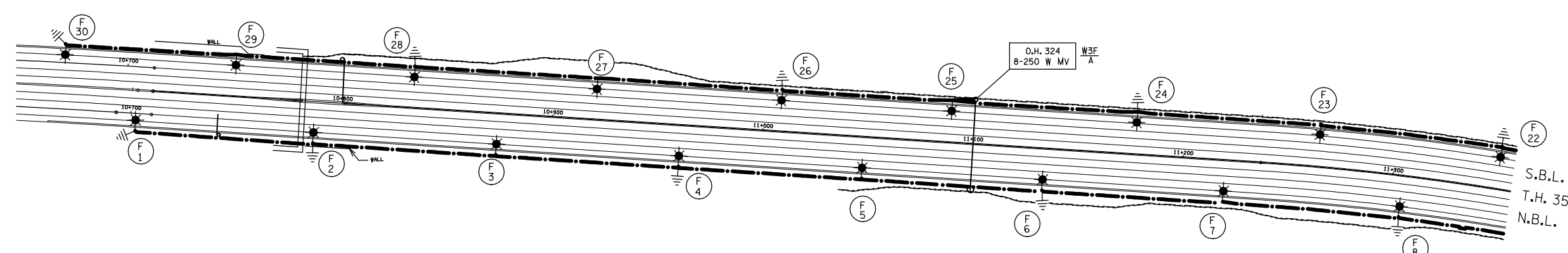
FD. PT. W3F

LIGHTING STANDARDS AND BASES					
NO.	STATION	LT.	RT.	LOCATION	TYPE
1	10+702		10.6 m	T.H. 35W NBL	4-15
2	10+787		20.4 m	T.H. 35W NBL	4-15
3	10+874		21.4 m	T.H. 35W NBL	4-15
4	10+961		21.4 m	T.H. 35W NBL	4-15
5	11+048		21.4 m	T.H. 35W NBL	4-15
6	11+134		21.4 m	T.H. 35W NBL	4-15
7	11+220		21.4 m	T.H. 35W NBL	4-15
8	11+305		21.4 m	T.H. 35W NBL	4-15
9	11+393		21.4 m	T.H. 35W NBL	4-15
10	11+478		21.4 m	T.H. 35W NBL	4-15
11	11+563		21.4 m	T.H. 35W NBL	4-15
12	11+643		21.4 m	T.H. 35W NBL	4-15
13	11+732		21.4 m	T.H. 35W NBL	4-15
14	11+816		22 m	T.H. 35W NBL	4-15
15	11+900		26 m	T.H. 35W NBL	4-15

FD. PT. W3F

LIGHTING STANDARDS AND BASES					
NO.	STATION	LT.	RT.	LOCATION	TYPE
16	11+858		22 m	T.H. 35W SBL	4-15
17	11+772		22 m	T.H. 35W SBL	4-15
18	11+685		22 m	T.H. 35W SBL	4-15
19	11+600		22 m	T.H. 35W SBL	4-15
20	11+515		22 m	T.H. 35W SBL	4-15
21	11+433		21 m	T.H. 35W SBL	4-15
22	10+349		21 m	T.H. 35W SBL	4-15
23	11+264		21 m	T.H. 35W SBL	4-15
24	11+177		21 m	T.H. 35W SBL	4-15
25	11+089		21 m	T.H. 35W SBL	4-15
26	11+008		21 m	T.H. 35W SBL	4-15
27	10+922		22 m	T.H. 35W SBL	4-15
28	10+834		22 m	T.H. 35W SBL	4-15
29	10+748		22 m	T.H. 35W SBL	4-15
30	10+670		11.2 m	T.H. 35W SBL	4-15

SEE SHEET NO. 388 FOR PLACEMENT OF LIGHTING UNITS



B AND R DENOTE CURRENT CARRYING CONDUCTORS
 W DENOTES NEUTRAL CONDUCTOR

FD. PT. W3F

LIGHTING PLAN

METER ADDRESS: W3F - 6947 HUMBOLDT Ave. S.