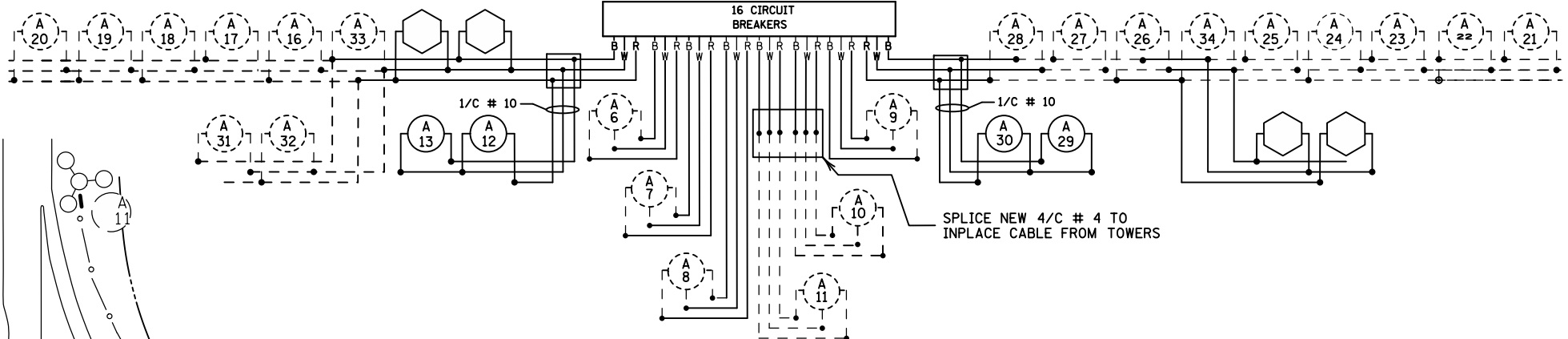


PLOTTED/REVISED: 2/9/2017

DISTRICT #: METRO  
PLOT NAME: 12782-288AB\_lo1118  
PATH & FILENAME: IP\_PWP-d0757264V2782-288AB\_lo1118.dgn

B AND R DENOTE CURRENT CARRYING CONDUCTORS  
W DENOTES NEUTRAL CONDUCTOR  
FD. PT. W3A  
240/480 VOLT

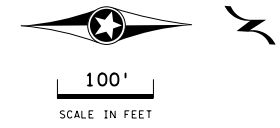
16 CIRCUIT BREAKERS



**LEGEND**

- INPLACE LIGHTING UNIT
- INSTALL SALVAGED LIGHTING UNIT
- F & I CONCRETE LIGHT BASE
- INPLACE TOWER LIGHTING UNIT
- F & I UNDERPASS LIGHT
- INSTALL SALVAGED CABINET
- INPLACE ARMORED CABLE
- ARMORED CABLE 4 CONDUCTOR NO. 4
- 3" NON-METALLIC CONDUIT ( DIRECTIONAL BORE ) UNLESS NOTED OTHERWISE
- PERMANENT GROUND ROD (25 OHMS OR LESS)
- HANDHOLE

SEE SHEET NO. 200 FOR CITY LIGHTING PLAN



HAND DIG ARMORED CABLE AT INPLACE CABINET FROM INPLACE TOWER LIGHTS A10 AND A11 RELOCATE AND SPLICE IN HANDHOLE

RELOCATE SALVAGED CABINET PAD MOUNTED SOURCE OF POWER INSTALL SALVAGED CABINET SECONDARY TYPE L2, FD. PT. NO. W3A, 240/480 VOLT. F. & I. 2" R.S.C. & 3-1/C NO 3/0 TO TRANSFORMER F. & I. EQUIPMENT PAD B

**FD. PT. W3A**

LIGHTING STANDARDS AND BASES					
NO.	STATION	LT.	RT.	LOCATION	TYPE
LIGHTS A1-A13 REMAIN INPLACE					
①	W3A/14	338+70		T.H. 35W N.B.	12-49
①	W3A/15	336+10		T.H. 35W N.B.	12-49
LIGHTS A16-A19 REMAIN INPLACE					
②	W3A/20	338+40		NWRAMP	9-40
②	W3A/21	335+95		NWRAMP	9-40
LIGHTS A22-A24 REMAIN INPLACE					
W3A/25	335+30			T.H. 35W S.B.	L
W3A/26	334+60			T.H. 35W S.B.	L
W3A/27	334+45			T.H. 35W N.B.	L
W3A/28	335+15			T.H. 35W N.B.	L

- ① F & I LIGHT BASE DESIGN H
- ② F & I LIGHT BASE DESIGN E

**FEEDPOINT W3A  
TH 35W at 76th ST.**

**LIGHTING PLAN**