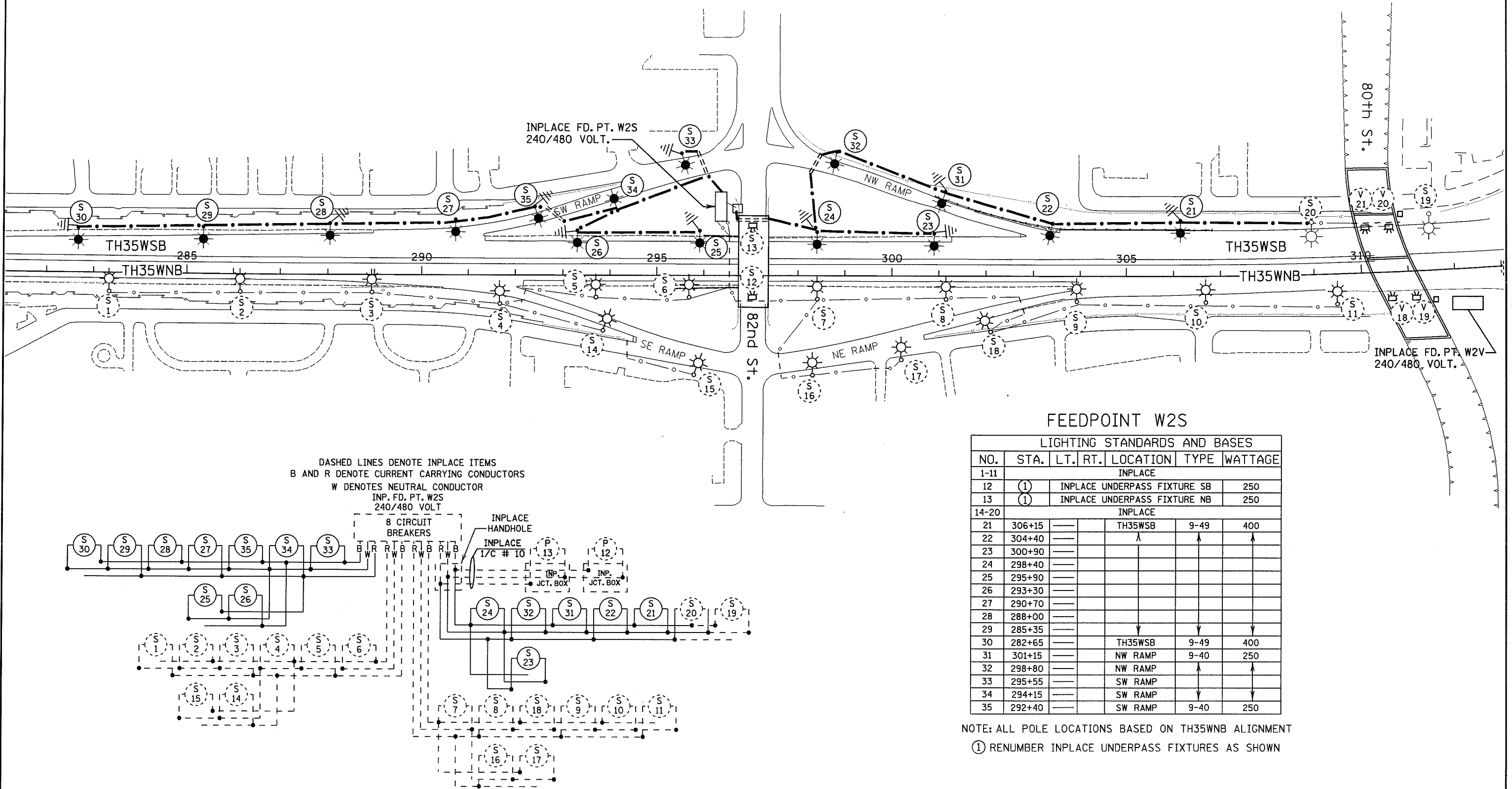


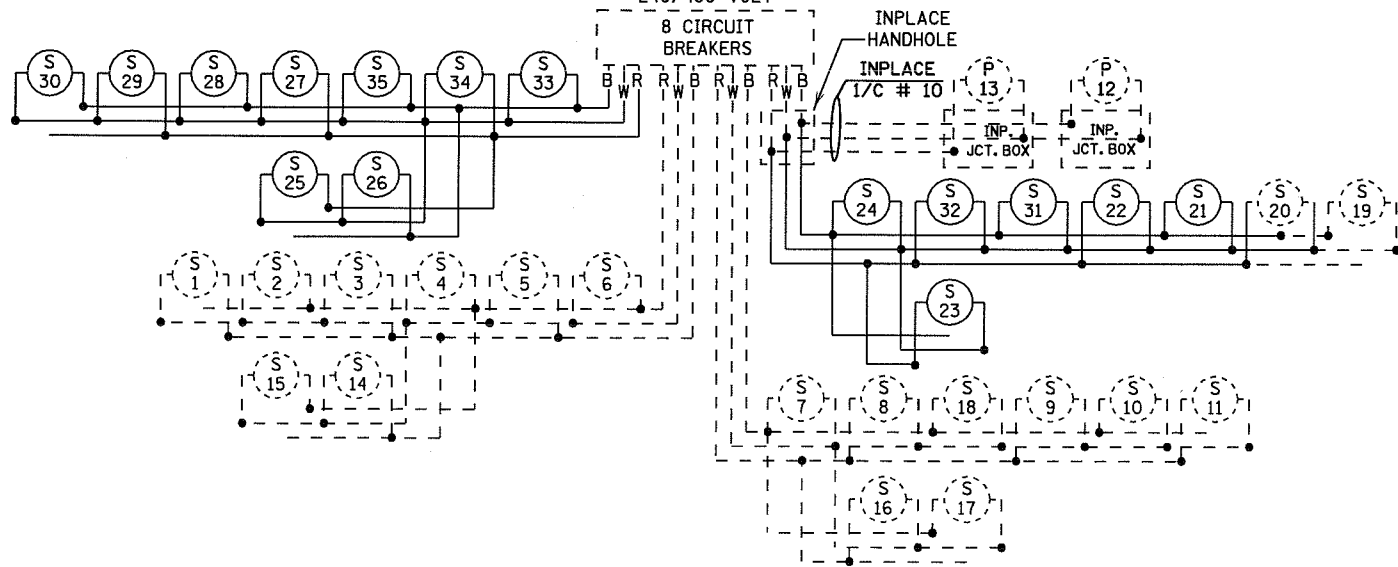
SEE LEGEND SHEET 9

PLOTTED/REVISED: 3/4/2010

DISTRICT #: METRO
 IPLOT NAME: 12782-318-101-3
 PATH & FILENAME: c:\Project\Wise\PW_Working\Kilufi\Err\1062054\2782-318-101-3\lit.dgn



DASHED LINES DENOTE INPLACE ITEMS
 B AND R DENOTE CURRENT CARRYING CONDUCTORS
 W DENOTES NEUTRAL CONDUCTOR
 INP. FD. PT. W2S
 240/480 VOLT



FEEDPOINT W2S

| LIGHTING STANDARDS AND BASES | | | | | | |
|------------------------------|--------|-----|-----|------------------------------|------|---------|
| NO. | STA. | LT. | RT. | LOCATION | TYPE | WATTAGE |
| 1-11 | | | | INPLACE | | |
| 12 | (1) | | | INPLACE UNDERPASS FIXTURE SB | | 250 |
| 13 | (1) | | | INPLACE UNDERPASS FIXTURE NB | | 250 |
| 14-20 | | | | INPLACE | | |
| 21 | 306+15 | | | TH35WSB | 9-49 | 400 |
| 22 | 304+40 | | | ^ | ↑ | ↑ |
| 23 | 300+90 | | | | | |
| 24 | 298+40 | | | | | |
| 25 | 295+90 | | | | | |
| 26 | 293+30 | | | | | |
| 27 | 290+70 | | | | | |
| 28 | 288+00 | | | | | |
| 29 | 285+35 | | | | ↓ | ↓ |
| 30 | 282+65 | | | TH35WSB | 9-49 | 400 |
| 31 | 301+15 | | | NW RAMP | 9-40 | 250 |
| 32 | 298+80 | | | NW RAMP | ↑ | ↑ |
| 33 | 295+55 | | | SW RAMP | ↑ | ↑ |
| 34 | 294+15 | | | SW RAMP | ↓ | ↓ |
| 35 | 292+40 | | | SW RAMP | 9-40 | 250 |

NOTE: ALL POLE LOCATIONS BASED ON TH35WNB ALIGNMENT
 (1) RENUMBER INPLACE UNDERPASS FIXTURES AS SHOWN

FEEDPOINT W2S

| | | | | | |
|--------------|------------|-----------|---|-------------------------|--|
| BY | DATE | REVISIONS | SYSTEM ID: FEEDPOINT: W2S | T.E. LOCATION: 82nd ST. | LIGHTING PLANS |
| | | | METER ADDRESS: 8202 Highway 35 So. Bloomington, 55431 | | |
| DRAWN BY: NS | CKD BY: GB | DATE: | CERTIFIED BY: <i>Michael P. Gubinsky</i> | LIC. NO. 19863 | DATE: 3/4/2010 |
| | | | LICENSED PROFESSIONAL ENGINEER | | STATE PROJ. NO. 2782-318 (T.H.35W) SHEET NO. 12 OF 12 SHEETS |