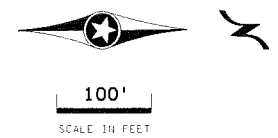
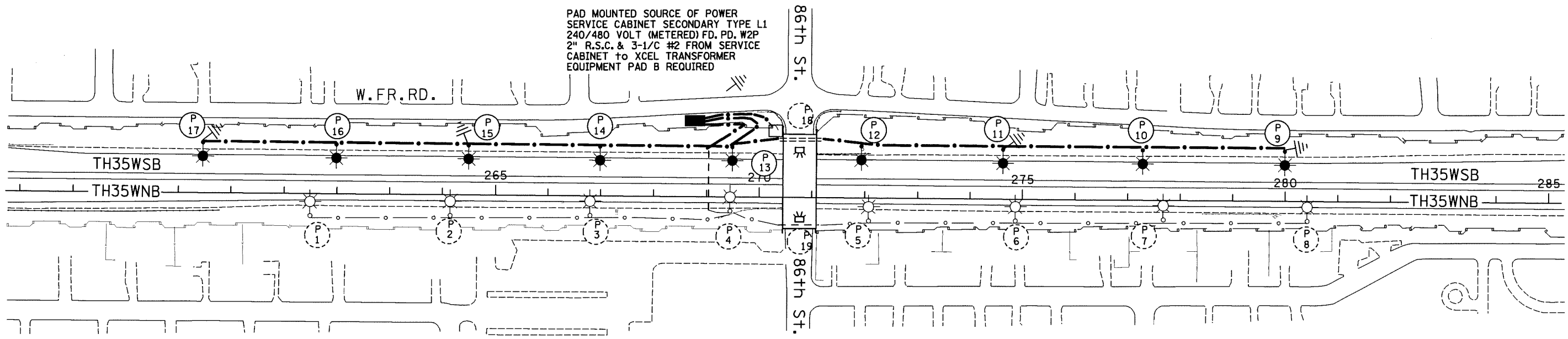


SEE LEGEND SHEET 9

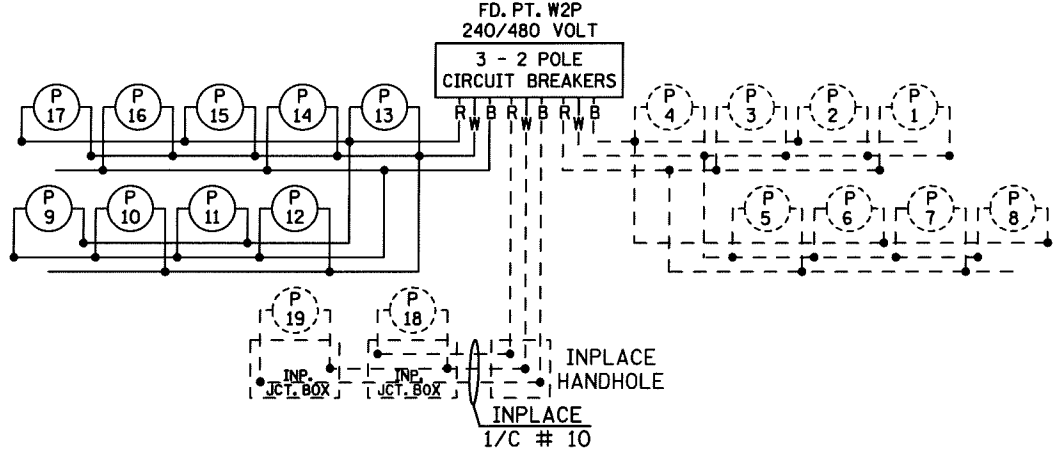


PLOTTED/REVISED: 7/10/2013



PAD MOUNTED SOURCE OF POWER
 SERVICE CABINET SECONDARY TYPE L1
 240/480 VOLT (METERED) FD. PD. W2P
 2" R.S.C. & 3-1/C #2 FROM SERVICE
 CABINET to XCEL TRANSFORMER
 EQUIPMENT PAD B REQUIRED

DASHED LINES DENOTE INPLACE ITEMS
 B AND R DENOTE CURRENT CARRYING CONDUCTORS
 W DENOTES NEUTRAL CONDUCTOR



FEEDPOINT W2P

LIGHTING STANDARDS AND BASES						
NO.	STA.	LT.	RT.	LOCATION	TYPE	WATTAGE
1-8				INPLACE		
9	280+00			35WSB	9-49	400
10	277+25					
11	274+60					
12	271+95					
13	269+50					
14	267+00					
15	264+50					
16	262+00					
17	259+50			35WSB	9-49	400
18	(1)			INPLACE UNDERPASS FIXTURE SB		250
19	(1)			INPLACE UNDERPASS FIXTURE NB		250

① RENUMBER INPLACE UNDERPASS FIXTURES AS SHOWN
 NOTE: ALL POLE LOCATIONS BASED ON TH35WNB ALIGNMENT

AS-BUILT 7/2013
 FEEDPOINTS W2P

LIGHTING PLANS

BY	DATE	REVISIONS	SYSTEM ID:	FEEDPOINT:	W2P	T.E.	LOCATION:	86th ST.
EK	7/2013	MOVE CABINET AND CABLES	METER ADDRESS:	8620 Highway 35 So. Bloomington, 55420				
DRAWN BY: NS			CERTIFIED BY: <i>Michael P. Glibinsky</i>			LIC. NO. 19863		
CKD BY: GB			DATE: 7/10/2013			STATE PROJ. NO. 2782-318 (T.H.35W)		
DATE:						SHEET NO. 11 OF 12 SHEETS		

DISTRICT #: METRO
 PLOT NAME: 12782-318_loi-3.11TAB
 PATH & FILENAME: IP_PWP:007840472782-318_loi-3.11TAB.dgn