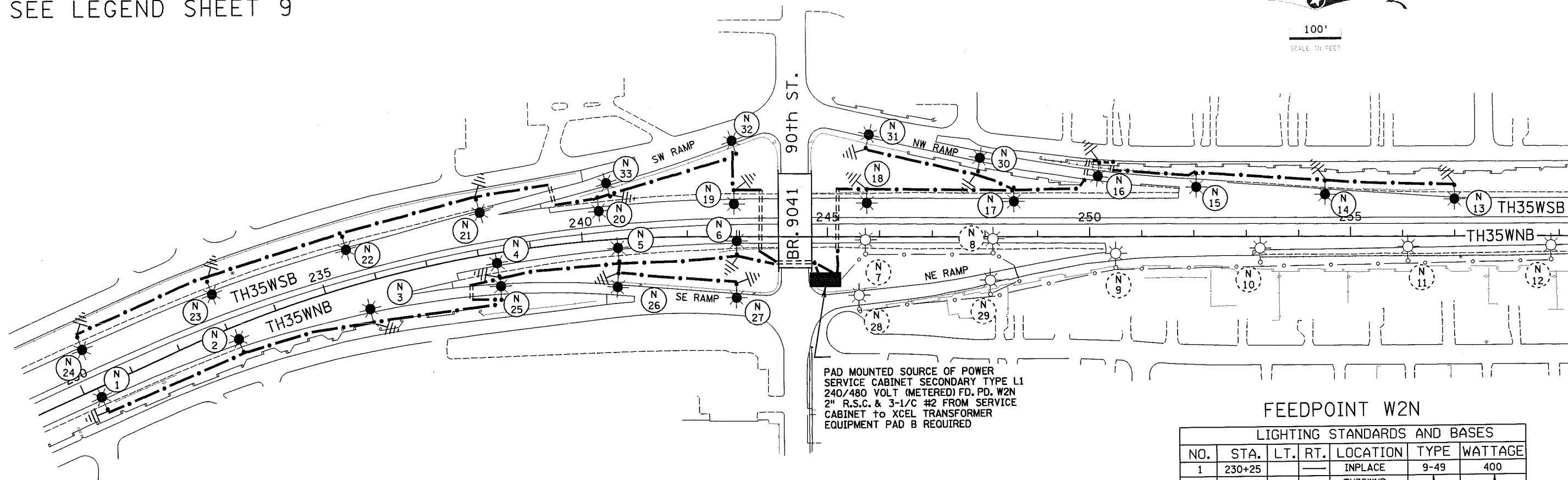


SEE LEGEND SHEET 9



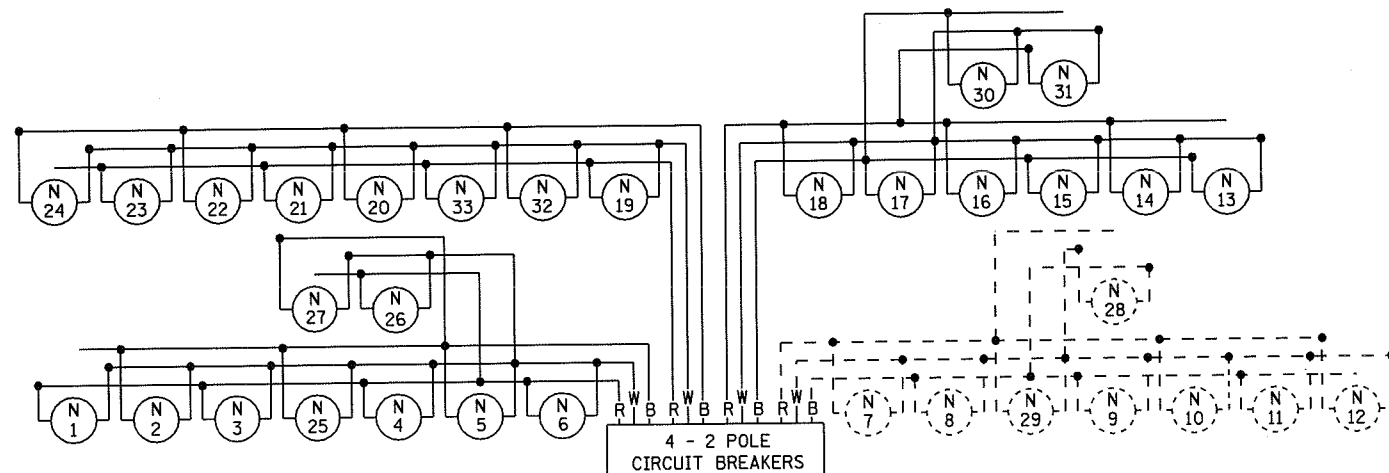
PAD MOUNTED SOURCE OF POWER
 SERVICE CABINET SECONDARY TYPE L1
 240/480 VOLT (METERED) FD. PD. W2N
 2" R.S.C. & 3-1/2" #2 FROM SERVICE
 CABINET to XCEL TRANSFORMER
 EQUIPMENT PAD B REQUIRED

FEEDPOINT W2N

LIGHTING STANDARDS AND BASES						
NO.	STA.	LT.	RT.	LOCATION	TYPE	WATTAGE
1	230+25			INPLACE	9-49	400
2	233+10			TH35WNB	↑	↑
3	235+70			↑	↓	↓
4	238+30				↓	↓
5	240+65				↓	↓
6	242+95			TH35WNB	9-49	400
7-12				INPLACE		
13	257+00			TH35WSB	9-49	400
14	254+50			↑	9-49	↑
15	252+00				9-49	
16	250+15				9-40	
17	248+55				9-49	
18	245+75				↑	↑
19	242+90				↑	↑
20	240+35				↑	↑
21	238+15				↑	↑
22	235+60				↑	↑
23	243+00				↓	↓
24	230+-30			TH35WSB	9-49	400
25	238+30			SE RAMP	9-40	250
26	240+65			SE RAMP	9-40	250
27	242+95			SE RAMP	9-40	250
28-29				INPLACE		
30	247+85			NW RAMP	9-40	250
31	245+75			NW RAMP	↑	↑
32	242+95			NE RAMP	↓	↓
33	240+60			NE RAMP	9-40	250

① POLE NUMBER 16 IS MOUNTED BEHIND NOISE WALL - 9-40 POLE WITH 400 WATT LUMINAIRE
 NOTE: ALL POLE LOCATIONS BASED ON TH35WNB ALIGNMENTS

FEEDPOINT W2N



W DENOTES NEUTRAL CONDUCTOR
 B AND R DENOTE CURRENT CARRYING CONDUCTORS
 DASHED LINES DENOTE INPLACE ITEMS

LIGHTING PLANS

BY	DATE	REVISIONS

SYSTEM ID: FEEDPOINT: W2N T.E. LOCATION: 90th St.
 METER ADDRESS: 8999 Highway 35 So. Bloomington, 55423
 CERTIFIED BY: *Michael P. Gubinsky* LIC. NO. 19863 DATE: 3/4/2010
LICENSED PROFESSIONAL ENGINEER

STATE PROJ. NO. 2782-318 (T.H. 35W) SHEET NO. 10 OF 12 SHEETS

DISTRICT #: METRO
 PLOT NAME: 12782-318_lol-3
 PATH & FILENAME: c:\p\proj\w\se\pw_wor\king\luf\er\nd\062054\2782-318_lol-3.ltr.dgn
 PLOTTED/REVISED: 3/4/2010