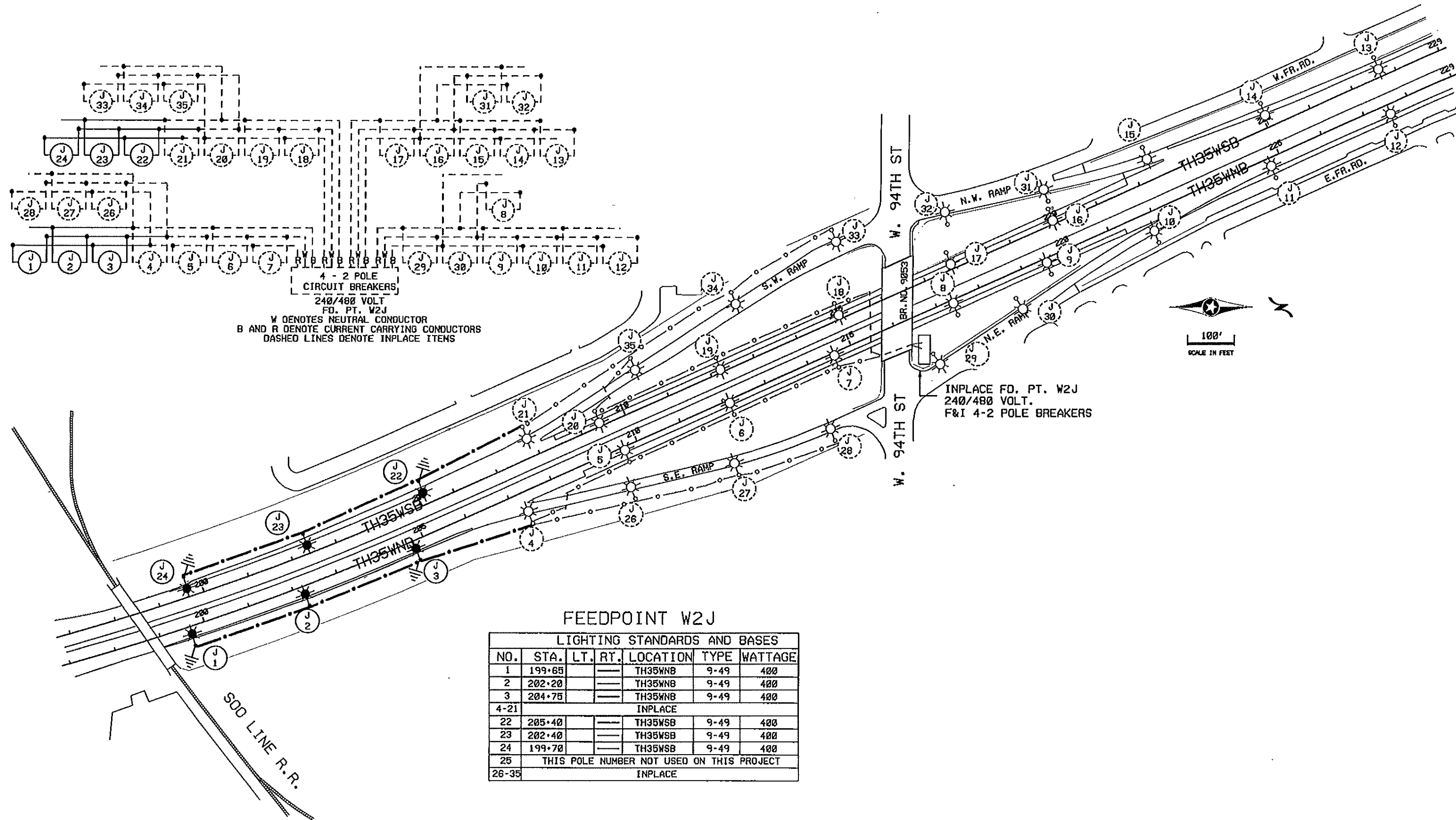


SEE LEGEND SHEET 8

PLOTTED/REVISED: 24/2011

DISTRICT: METRO
 I PLOT NAME: 2782-XXX.L03
 PATH & FILE NAMES: \TRAFFIC\LIGHTING\PLANS\35W\2782-XXX\2782-XXX.L01-3.LIT.DGN



FEEDPOINT W2J

LIGHTING STANDARDS AND BASES					
NO.	STA.	LT.	RT.	LOCATION	TYPE WATTAGE
1	199+65			TH35WNB	9-49 400
2	202+20			TH35WNB	9-49 400
3	204+75			TH35WNB	9-49 400
4-21				INPLACE	
22	205+40			TH35WSB	9-49 400
23	202+40			TH35WSB	9-49 400
24	199+70			TH35WSB	9-49 400
25	THIS POLE NUMBER NOT USED ON THIS PROJECT				
26-35				INPLACE	

FEEDPOINT W2J

LIGHTING PLANS

BY	DATE	REVISIONS	SYSTEM ID:	FEEDPOINT:	T.E.	LOCATION:	STATE PROJ. NO. 2782-324 (T.H. 35W) SHEET NO. 10 OF 10 SHEETS	
			METER ADDRESS:	10403 HIGHWAY 35 SO. BLOOMINGTON, 55423		WEST 94TH STREET		
DRAWN BY:	NS	CKD BY:	GB	DATE:				
			CERTIFIED BY:	<i>Michael P. Dubinsky</i>	LIC. NO. 19863	DATE: 1/24/2011		