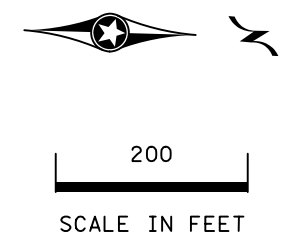


SPECIFIC NOTE:

① SEE RSS WALL PLANS FOR ALLOWABLE REINFORCEMENT ZONE CABLE PLACEMENT IN THIS AREA.

FEED POINT W1X  
LIGHTING STANDARDS AND FOUNDATIONS

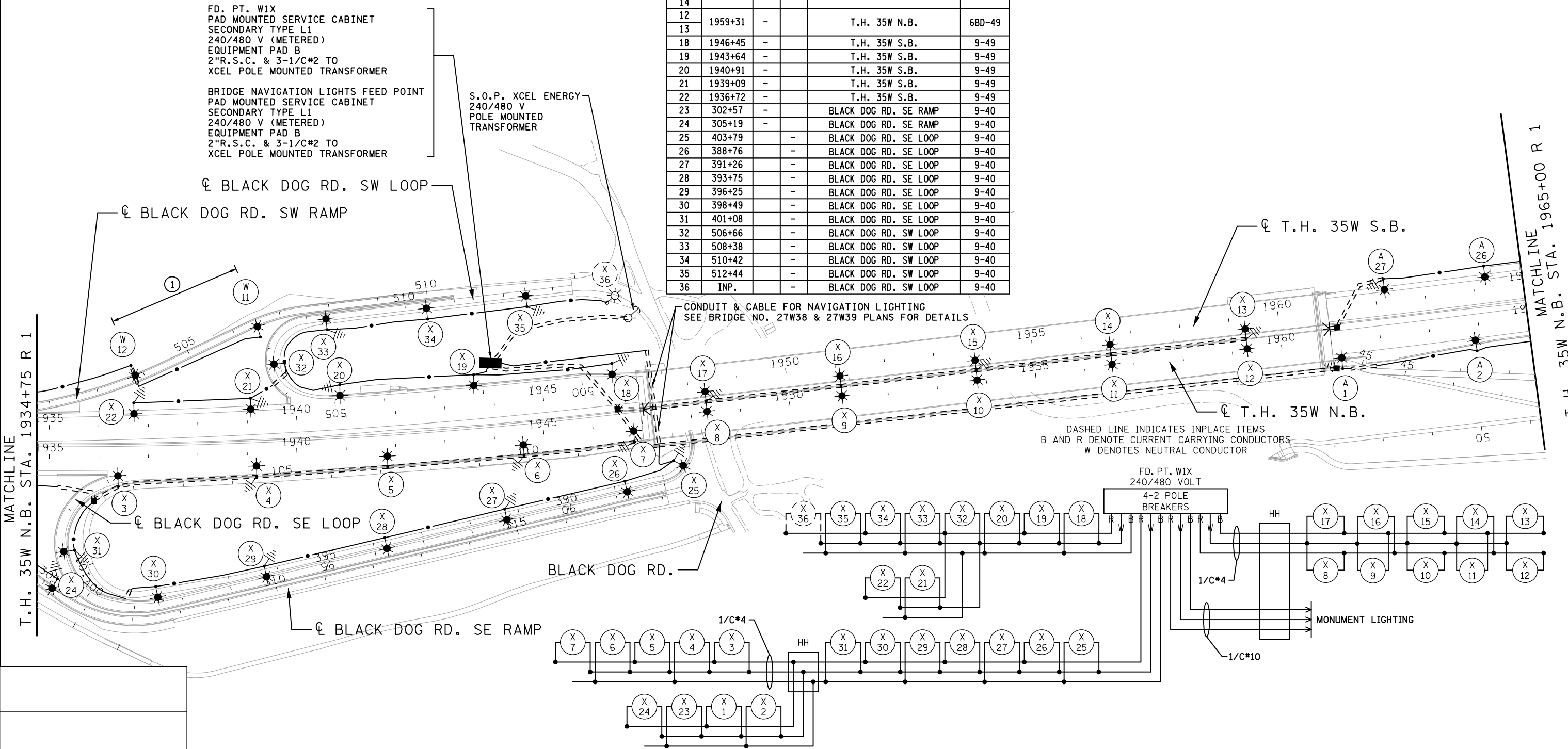
NO.	STATION	LT.	RT.	LOCATION	TYPE
1	1931+82	-	-	T.H. 35W N.B.	9-49
2	1934+26	-	-	T.H. 35W N.B.	9-49
3	1936+38	-	-	T.H. 35W N.B.	6B-49
4	1939+17	-	-	T.H. 35W N.B.	6B-49
5	1941+81	-	-	T.H. 35W N.B.	6B-49
6	1944+56	-	-	T.H. 35W N.B.	6B-49
7	1946+80	-	-	T.H. 35W N.B.	6B-49
8	1948+33	-	-	T.H. 35W N.B.	6B-49
9	1951+07	-	-	T.H. 35W N.B.	6B-49
10	1953+82	-	-	T.H. 35W N.B.	6B-49
11	1956+56	-	-	T.H. 35W N.B.	6B-49
12	1959+31	-	-	T.H. 35W N.B.	6B-49
13	1946+45	-	-	T.H. 35W S.B.	9-49
14	1943+64	-	-	T.H. 35W S.B.	9-49
15	1940+91	-	-	T.H. 35W S.B.	9-49
16	1939+09	-	-	T.H. 35W S.B.	9-49
17	1936+72	-	-	T.H. 35W S.B.	9-49
18	302+57	-	-	BLACK DOG RD. SE RAMP	9-40
19	305+19	-	-	BLACK DOG RD. SE RAMP	9-40
20	403+79	-	-	BLACK DOG RD. SE LOOP	9-40
21	388+76	-	-	BLACK DOG RD. SE LOOP	9-40
22	391+26	-	-	BLACK DOG RD. SE LOOP	9-40
23	393+75	-	-	BLACK DOG RD. SE LOOP	9-40
24	396+25	-	-	BLACK DOG RD. SE LOOP	9-40
25	398+49	-	-	BLACK DOG RD. SE LOOP	9-40
26	401+08	-	-	BLACK DOG RD. SE LOOP	9-40
27	506+66	-	-	BLACK DOG RD. SW LOOP	9-40
28	508+38	-	-	BLACK DOG RD. SW LOOP	9-40
29	510+42	-	-	BLACK DOG RD. SW LOOP	9-40
30	512+44	-	-	BLACK DOG RD. SW LOOP	9-40
31	INP.	-	-	BLACK DOG RD. SW LOOP	9-40



FD. PT. W1X  
PAD MOUNTED SERVICE CABINET  
SECONDARY TYPE L1  
240/480 V (METERED)  
EQUIPMENT PAD B  
2"R.S.C. & 3-1/C#2 TO  
XCEL POLE MOUNTED TRANSFORMER

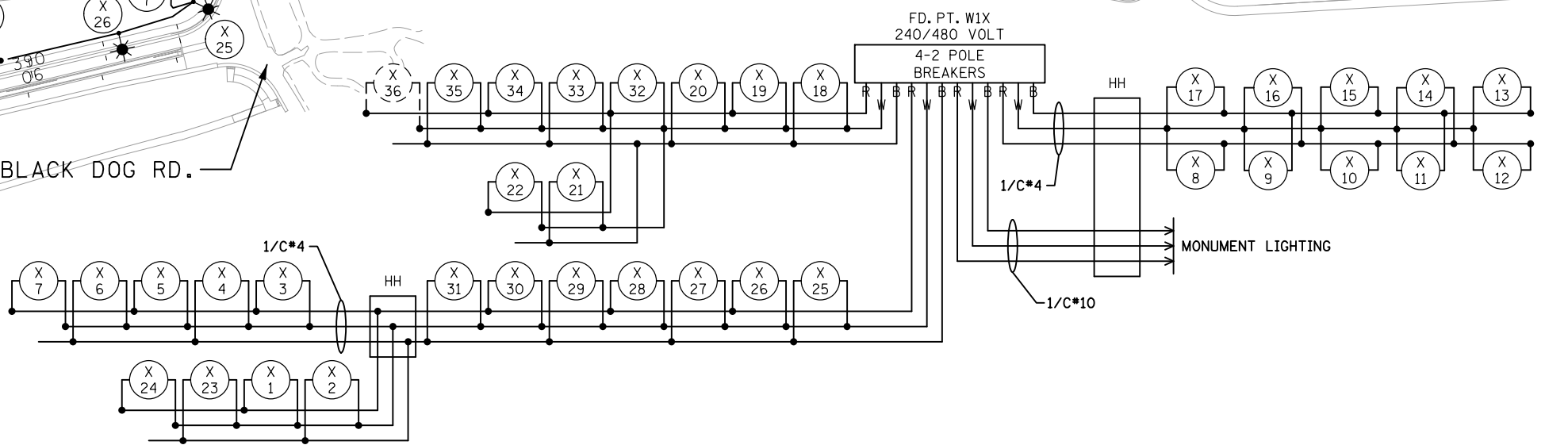
BRIDGE NAVIGATION LIGHTS FEED POINT  
PAD MOUNTED SERVICE CABINET  
SECONDARY TYPE L1  
240/480 V (METERED)  
EQUIPMENT PAD B  
2"R.S.C. & 3-1/C#2 TO  
XCEL POLE MOUNTED TRANSFORMER

S.O.P. XCEL ENERGY  
240/480 V  
POLE MOUNTED  
TRANSFORMER



CONDUIT & CABLE FOR NAVIGATION LIGHTING  
SEE BRIDGE NO. 27W38 & 27W39 PLANS FOR DETAILS

DASHED LINE INDICATES INPLACE ITEMS  
B AND R DENOTE CURRENT CARRYING CONDUCTORS  
W DENOTES NEUTRAL CONDUCTOR



MATCHLINE T.H. 35W N.B. STA. 1934+75 R 1

MATCHLINE 1965+00 R 1  
T.H. 35W N.B. STA. 1965+00 R 1

6:36:13 PM 3/30/2021 \\projects\2017\170145\CONSTRUCTION\Plan Sheets\cd1981124\_cb\_1106.dgn

NO	DATE	DWN	CKD	REVISIONS
0	02/18/19	JJP	MPM	RFC DP T-1
1	04/21/20			FDC-097_100
2	03/31/21			RECORD DRAWING



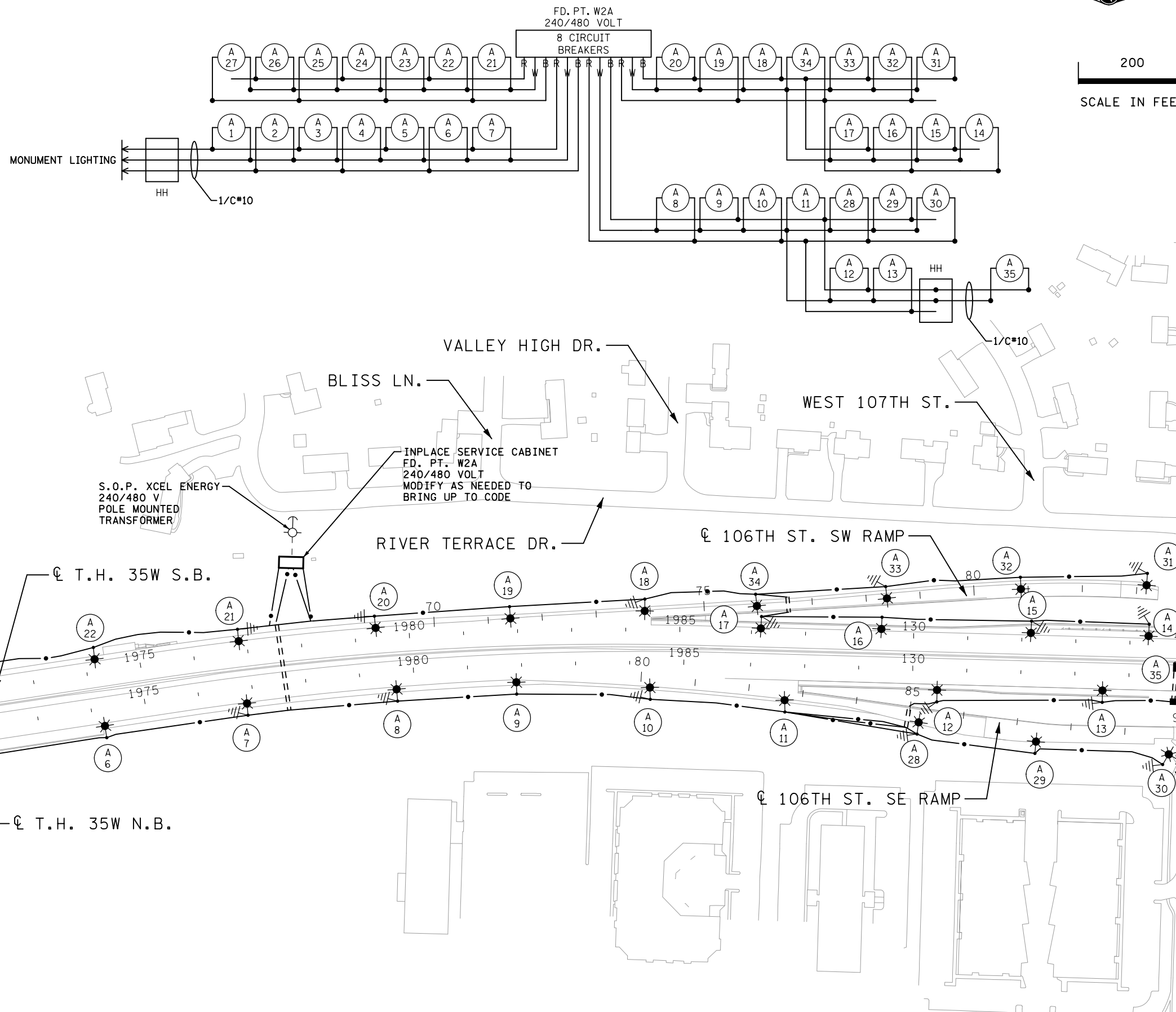
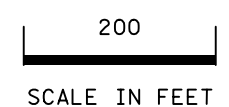
RECORD DRAWING NOTE: THESE RECORD DRAWINGS WERE DEVELOPED BASED ON THE PREVIOUS DRAWING REVISIONS AND INFORMATION TRANSMITTED FROM THE FIELD BY OTHERS. THE INFORMATION CONTAINED WITHIN THIS RECORD AS-BUILT PLAN REPRESENTS THE ACTUAL CONDITIONS FOR ALL CHANGES OF WHICH ALLIANT IS AWARE. FUTURE USERS OF THESE DRAWINGS SHOULD VERIFY AS-BUILT CONDITIONS IN THE FIELD IN ALL CIRCUMSTANCES.

PERMANENT LIGHTING PLAN  
FD. PT. W1X LAYOUT

FEED POINT W2A  
LIGHTING STANDARDS AND FOUNDATIONS

NO.	STATION	LT.	RT.	LOCATION	TYPE
1	1961+17	-	-	T.H. 35W N.B.	9-49
2	1963+90	-	-	T.H. 35W N.B.	9-49
3	1966+44	-	-	T.H. 35W N.B.	9-49
4	1969+01	-	-	T.H. 35W N.B.	9-49
5	1971+00	-	-	T.H. 35W N.B.	9-49
6	1974+21	-	-	T.H. 35W N.B.	9-49
7	1976+86	-	-	T.H. 35W N.B.	9-49
8	1979+66	-	-	T.H. 35W N.B.	9-49
9	1981+89	-	-	T.H. 35W N.B.	9-49
10	1984+38	-	-	T.H. 35W N.B.	9-49
11	127+66	-	-	T.H. 35W N.B.	9-49
12	130+46	-	-	T.H. 35W N.B.	9-49
13	133+52	-	-	T.H. 35W N.B.	9-49
14	134+35	-	-	T.H. 35W S.B.	9-49
15	132+17	-	-	T.H. 35W S.B.	9-49
16	129+41	-	-	T.H. 35W S.B.	9-49
17	127+18	-	-	T.H. 35W S.B.	9-49
18	1984+35	-	-	T.H. 35W S.B.	9-49
19	1981+87	-	-	T.H. 35W S.B.	9-49
20	1979+38	-	-	T.H. 35W S.B.	9-49
21	1976+86	-	-	T.H. 35W S.B.	9-49
22	1974+19	-	-	T.H. 35W S.B.	9-49
23	1972+08	-	-	T.H. 35W S.B.	9-49
24	1969+50	-	-	T.H. 35W S.B.	9-49
25	1966+91	-	-	T.H. 35W S.B.	9-49
26	1964+24	-	-	T.H. 35W S.B.	9-49
27	1962+20	-	-	T.H. 35W S.B.	9-49
28	85+19	-	-	106TH ST. SE RAMP	9-40
29	87+38	-	-	106TH ST. SE RAMP	9-40
30	89+74	-	-	106TH ST. SE RAMP	9-40
31	83+18	-	-	106TH ST. SW RAMP	9-40
32	80+87	-	-	106TH ST. SW RAMP	9-40
33	78+37	-	-	106TH ST. SW RAMP	9-40
34	75+97	-	-	106TH ST. SW RAMP	9-40
35	UNDERPASS	-	-	106TH ST.	L

DASHED LINE INDICATES INPLACE ITEMS  
B AND R DENOTE CURRENT CARRYING CONDUCTORS  
W DENOTES NEUTRAL CONDUCTOR



MATCHLINE  
T.H. 35W N.B. STA. 1965+00 R 1

MATCHLINE  
T.H. 35W N.B. STA. 135+00 R 1

8:48:13 PM 3/28/2021 \\projects\2017\170145\CONSTRUCTION\Plan\_Sheets\cd1981124\_cb\_1107.dgn

NO	DATE	DWN	CKD	REVISIONS
0	02/18/19	JJP	MPM	RFC DP T-1
1	03/31/21			RECORD DRAWING



RECORD DRAWING NOTE: THESE RECORD DRAWINGS WERE DEVELOPED BASED ON THE PREVIOUS DRAWING REVISIONS AND INFORMATION TRANSMITTED FROM THE FIELD BY OTHERS. THE INFORMATION CONTAINED WITHIN THIS RECORD AS-BUILT PLAN REPRESENTS THE ACTUAL CONDITIONS FOR ALL CHANGES OF WHICH ALLIANT IS AWARE. FUTURE USERS OF THESE DRAWINGS SHOULD VERIFY AS-BUILT CONDITIONS IN THE FIELD IN ALL CIRCUMSTANCES.

PERMANENT LIGHTING PLAN  
FD. PT. W2A LAYOUT

I-35W DB PROJECT (S.P. 1981-124)  
SHEET NO. LL07 OF LL08 SHEETS