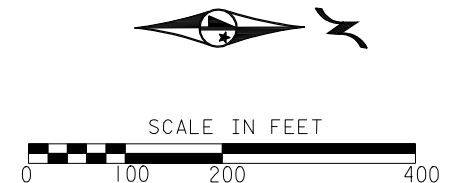


PAD MOUNTED SERVICE CABINET
 SECONDARY TYPE L2.
 EQUIPMENT PAD B REQUIRED.
 240/480 V., FD. PT. W1N.
 F & I 2" R.S.C., WEATHERHEAD,
 AND UNDERGROUND WIRE
 3-1/C NO. 3/0 TO INP. PP. #1.
 F & I OVERHEAD WIRE
 3-1/C NO. 3/0 BETWEEN
 INP. PP. #1 AND TRANSFORMER
 ON INP. PP. #2.
 DAKOTA ELECTRIC METERED SERVICE.

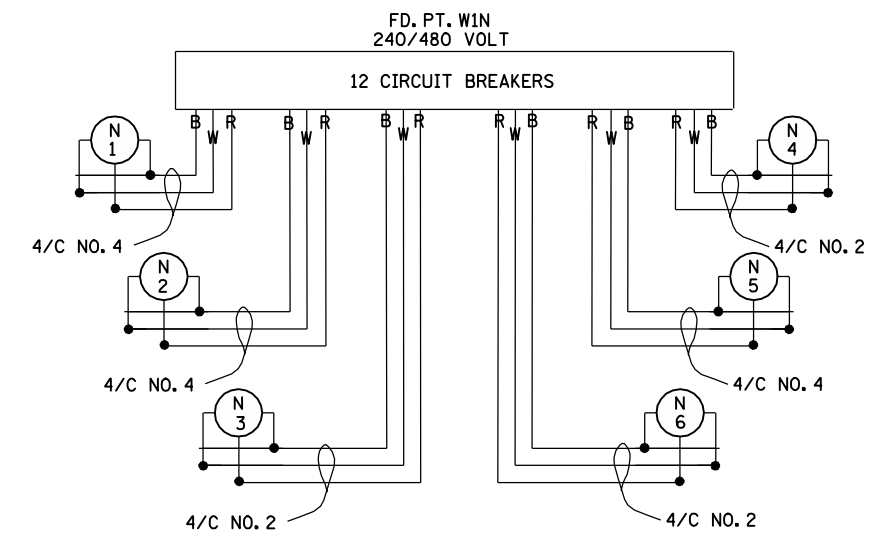


LEGEND

- 1000 WATT HIGH PRESSURE SODIUM HIGH MAST LIGHTING UNIT WITH 3 LUMINAIRES
- 1000 WATT HIGH PRESSURE SODIUM HIGH MAST LIGHTING UNIT WITH 4 LUMINAIRES
- PAD MOUNTED SOURCE OF POWER 240/480 V
- ➔ ORIENTATION OF LUMINAIRE
- == 3" NON-METALLIC CONDUIT DIRECTIONAL BORE (EXCEPT AS NOTED OTHERWISE)
- DIRECT BURIED POWER CABLE 4 CONDUCTOR ARMORED CABLE. SEE WIRING DIAGRAM FOR AWG SIZE. SEE SPEC NO. 3815 AND SPECIAL PROVISIONS.

FD. PT. W1N

| LIGHTING STANDARDS AND BASES | | | | | |
|------------------------------|---------|-----|-----|---------------|-------|
| NO. | STATION | LT. | RT. | LOCATION | TYPE |
| 1 | 1854+28 | | 62 | T.H. 35W N.B. | 3-120 |
| 2 | 1858+33 | | 151 | LOOP C | 4-120 |
| 3 | 1863+45 | | 216 | LOOP F | 4-120 |
| 4 | 1871+53 | | 75 | T.H. 35W N.B. | 3-120 |
| 5 | 739+43 | | 56 | T.H. 13 E.B. | 3-120 |
| 6 | 744+61 | | 59 | RAMP C | 3-120 |



B AND R DENOTE CURRENT CARRYING CONDUCTORS
 W DENOTES NEUTRAL CONDUCTOR

AS BUILT
 LIGHTING PLAN