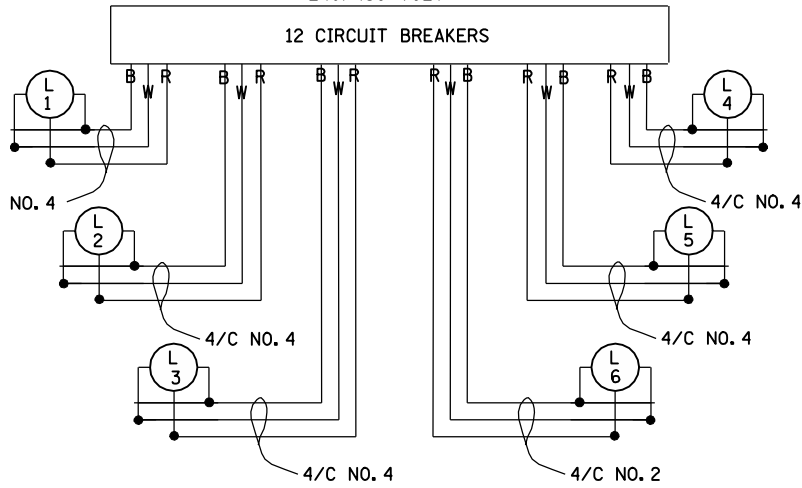


FD. PT. W1L
240/480 VOLT

12 CIRCUIT BREAKERS

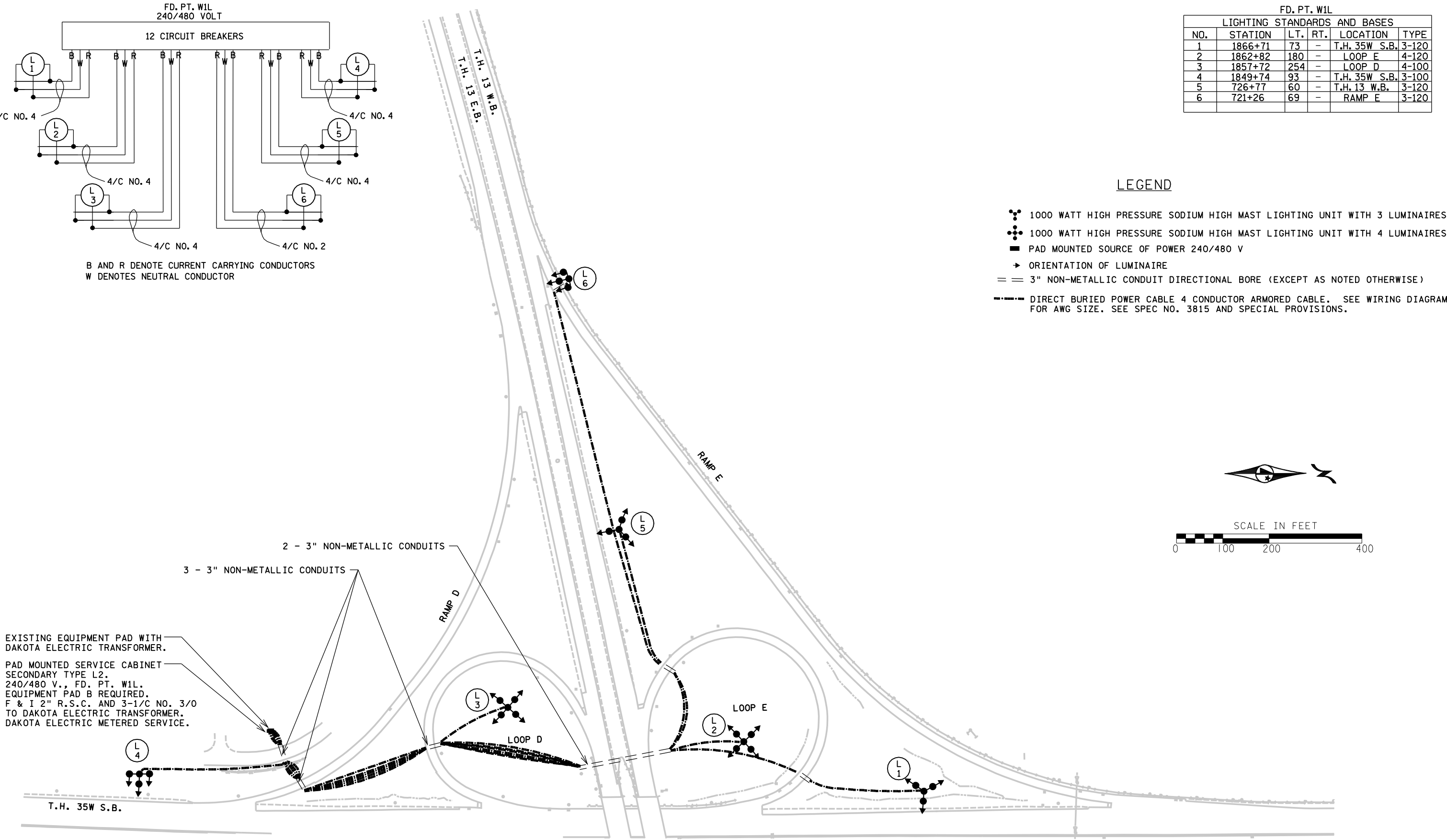


B AND R DENOTE CURRENT CARRYING CONDUCTORS
W DENOTES NEUTRAL CONDUCTOR

FD. PT. W1L LIGHTING STANDARDS AND BASES					
NO.	STATION	LT.	RT.	LOCATION	TYPE
1	1866+71	73	-	T.H. 35W S.B.	3-120
2	1862+82	180	-	LOOP E	4-120
3	1857+72	254	-	LOOP D	4-100
4	1849+74	93	-	T.H. 35W S.B.	3-100
5	726+77	60	-	T.H. 13 W.B.	3-120
6	721+26	69	-	RAMP E	3-120

LEGEND

- 1000 WATT HIGH PRESSURE SODIUM HIGH MAST LIGHTING UNIT WITH 3 LUMINAIRES
- 1000 WATT HIGH PRESSURE SODIUM HIGH MAST LIGHTING UNIT WITH 4 LUMINAIRES
- PAD MOUNTED SOURCE OF POWER 240/480 V
- ORIENTATION OF LUMINAIRE
- 3" NON-METALLIC CONDUIT DIRECTIONAL BORE (EXCEPT AS NOTED OTHERWISE)
- DIRECT BURIED POWER CABLE 4 CONDUCTOR ARMORED CABLE. SEE WIRING DIAGRAM FOR AWG SIZE. SEE SPEC NO. 3815 AND SPECIAL PROVISIONS.



EXISTING EQUIPMENT PAD WITH DAKOTA ELECTRIC TRANSFORMER.
PAD MOUNTED SERVICE CABINET SECONDARY TYPE L2. 240/480 V., FD. PT. W1L. EQUIPMENT PAD B REQUIRED. F & I 2" R.S.C. AND 3-1/C NO. 3/0 TO DAKOTA ELECTRIC TRANSFORMER. DAKOTA ELECTRIC METERED SERVICE.

L 4
T.H. 35W S.B.

2 - 3" NON-METALLIC CONDUITS
3 - 3" NON-METALLIC CONDUITS

RAMP D

L 3

LOOP D

L 5

RAMP E

L 2

LOOP E

L 1

L 6

AS BUILT
LIGHTING PLAN