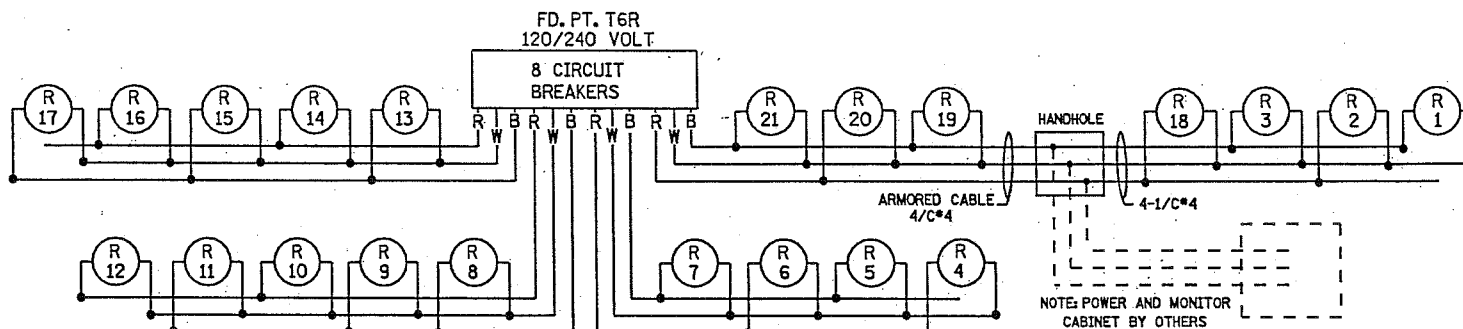


FD. PT. T6R

LIGHTING STANDARDS AND BASES						
NO.	STATION	LT.	RT.	LOCATION	TYPE	WATTAGE
1	546+20			WB36	9B-40	250
2	543+85				9B-40	
3	541+55				9B-40	
4	538+95				9-40	
5	536+55					
6	534+15					
7	531+75					
8	529+75					
9	527+50					
10	525+30					
11	523+05					
12	520+80			WB36		
13	11+10			NWRAMP		
14	13+20					
15	15+35					
16	17+50					
17	19+65			NWRAMP	9-40	
18	12+25			NERAMP	9B-40	
19	14+45				9-40	
20	16+70				9-40	
21	18+90			NERAMP	9-40	250

SEE LEGEND PAGE 457

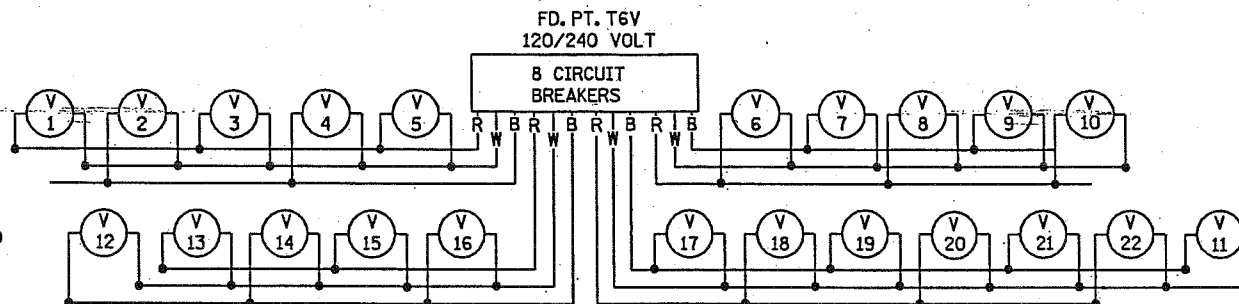
B AND R DENOTE CURRENT CARRYING CONDUCTORS
W DENOTES NEUTRAL CONDUCTOR



FD. PT. T6V

LIGHTING STANDARDS AND BASES						
NO.	STATION	LT.	RT.	LOCATION	TYPE	WATTAGE
1	520+90			EB36	9-40	250
2	523+20					
3	525+35					
4	527+50					
5	529+70					
6	531+75					
7	534+10					
8	536+45					
9	538+85					
10	541+20					
11	543+70			EB36		
12	12+00			SWRAMP		
13	14+25					
14	16+30					
15	18+40					
16	20+40			SWRAMP		
17	11+25			SERAMP		
18	13+40					
19	15+50					
20	17+40					
21	19+25					
22	21+10			SERAMP	9-40	250

B AND R DENOTE CURRENT CARRYING CONDUCTORS
W DENOTES NEUTRAL CONDUCTOR



€ SB MCKNIGHT RD (SMCKN)
€ NB MCKNIGHT RD (NMCKN)

PAD MOUNTED SOURCE OF POWER
SERVICE CABINET SECONDARY TYPE L1
120/240 VOLT (METERED) FD. PT. T6R
2" R.S.C., 3-1/C #2 AND WEATHERHEAD
FROM NO. ST. PAUL ENERGY POLE TO
SERVICE CABINET EQUIPMENT PAD B REQUIRED

NOTE: POWER AND MONITOR CABINET BY OTHERS

RETAINING WALL (RW01)

BARRIER

WB36

EB36

PAD MOUNTED SOURCE OF POWER
SERVICE CABINET SECONDARY TYPE L1
120/240 VOLT (METERED) FD. PT. T6V
2" R.S.C., 3-1/C #2 AND WEATHERHEAD
FROM NO. ST. PAUL ENERGY POLE TO
SERVICE CABINET EQUIPMENT PAD B REQUIRED

FD. PT. T6R
FD. PT. T6V

LIGHTING LAYOUT

DRAWN BY: NS

CHECKED BY: GB

CERTIFIED BY

Michael P. Salway
REGISTERED PROFESSIONAL ENGINEER

LIC. NO. 19863

DATE 10/23/2006

STATE PROJ. NO. 6211-81 (T.H. 36) SHEET NO. 458 OF 562 SHEETS

PLOTTED/REVISED: 10/23/2006

DISTRICT #: METRO
PLOT NAME: 6211-81-102
PATH & FILENAME: SATRAFF\LIGHTING\Plans\036\6211-81-102-4.dgn

