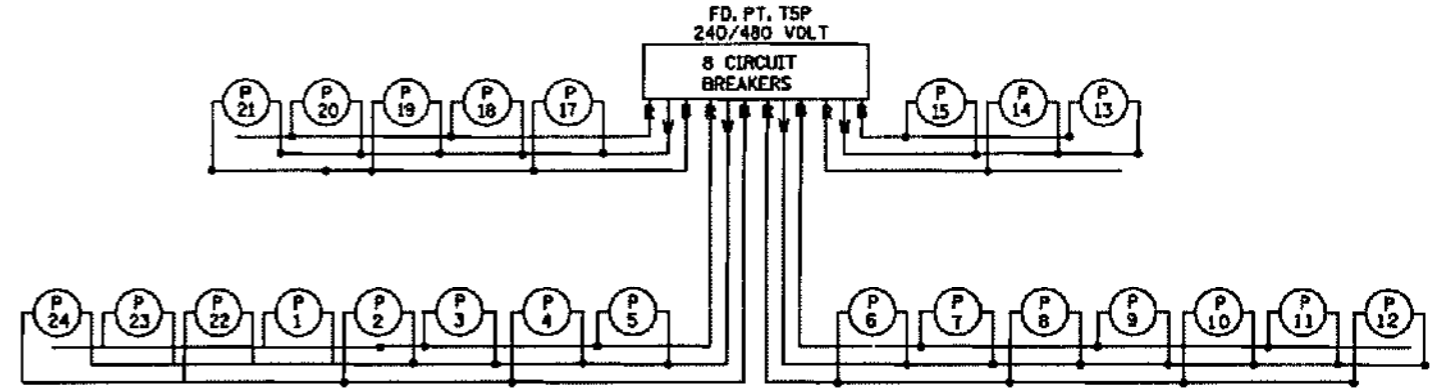
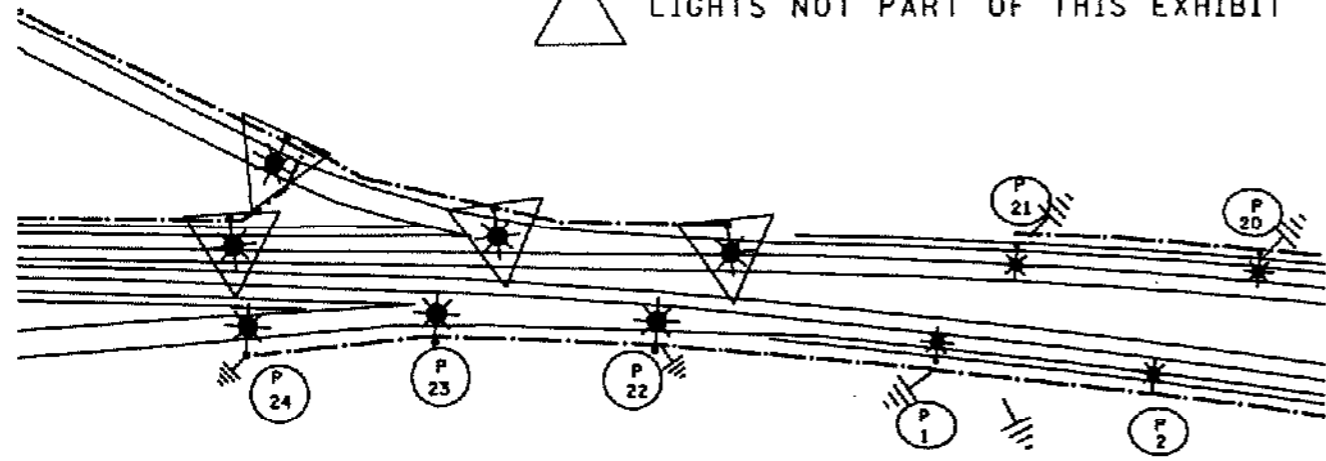
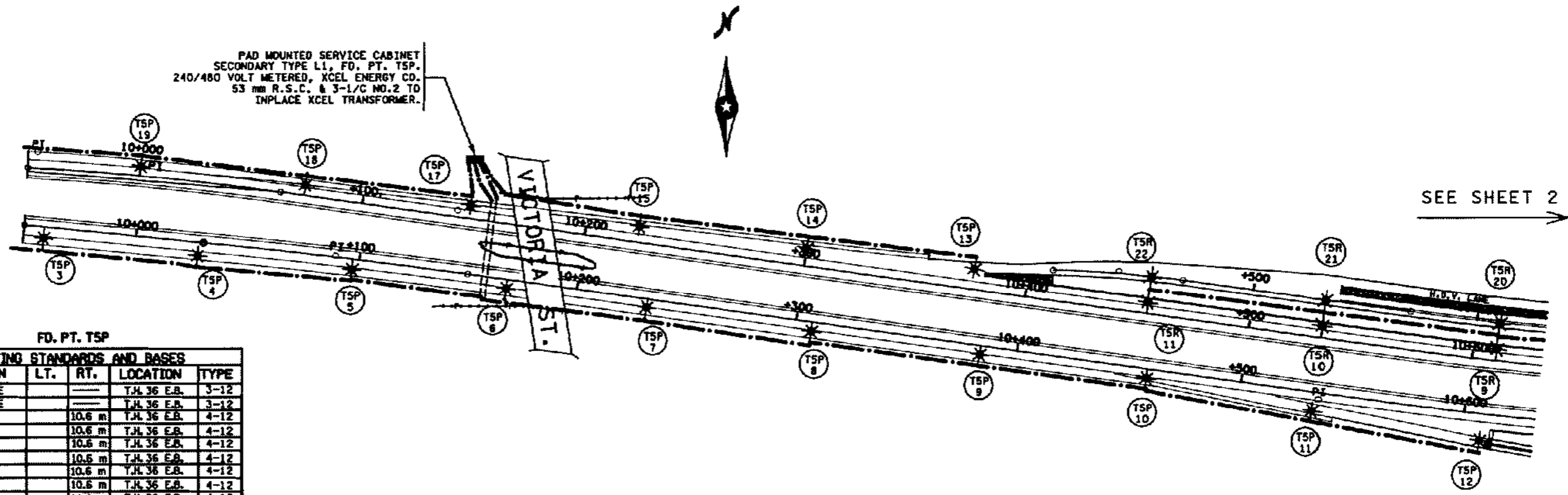


△ LIGHTS NOT PART OF THIS EXHIBIT



B AND R DENOTE CURRENT CARRYING CONDUCTORS
W DENOTES NEUTRAL CONDUCTOR

PAD MOUNTED SERVICE CABINET
SECONDARY TYPE 11, FD. PT. TSP.
240/480 VOLT METERED, XCEL ENERGY CO.
53 mm R.S.C. & 3-1/C NO.2 TO
INPLACE XCEL TRANSFORMER.



SEE SHEET 2 →

FD. PT. TSP

LIGHTING STANDARDS AND BASES					
NL.	STATION	LT.	RT.	LOCATION	TYPE
2	INPLACE			T.H. 36 E.B.	3-12
2	INPLACE			T.H. 36 E.B.	3-12
3	9+959		10.6 m	T.H. 36 E.B.	4-12
4	10+028		10.6 m	T.H. 36 E.B.	4-12
5	10+097		10.6 m	T.H. 36 E.B.	4-12
6	10+166		10.6 m	T.H. 36 E.B.	4-12
7	10+232		10.6 m	T.H. 36 E.B.	4-12
8	10+307		10.6 m	T.H. 36 E.B.	4-12
9	10+383		10.6 m	T.H. 36 E.B.	4-12
10	10+458		12.0 m	T.H. 36 E.B.	4-12
11	10+533		16.8 m	T.H. 36 E.B.	4-12
12	10+608		22.0 m	T.H. 62 E.B.	4-12
13	10+376	19.0 m		T.H. 62 W.B.	4-12
14	10+300	16.3 m		T.H. 62 W.B.	4-12
15	10+224	14.9 m		T.H. 62 W.B.	4-12
17	10+148	13.3 m		T.H. 62 W.B.	4-12
18	10+074	11.6 m		T.H. 62 W.B.	4-12
19	10+000	10.6 m		T.H. 62 W.B.	4-12
20	INPLACE			T.H. 62 W.B.	3-12
21	INPLACE			T.H. 62 W.B.	3-12
22	INPLACE			T.H. 62 E.B.	3-12
23	INPLACE			T.H. 62 E.B.	3-12
24	INPLACE			T.H. 62 E.B.	3-12

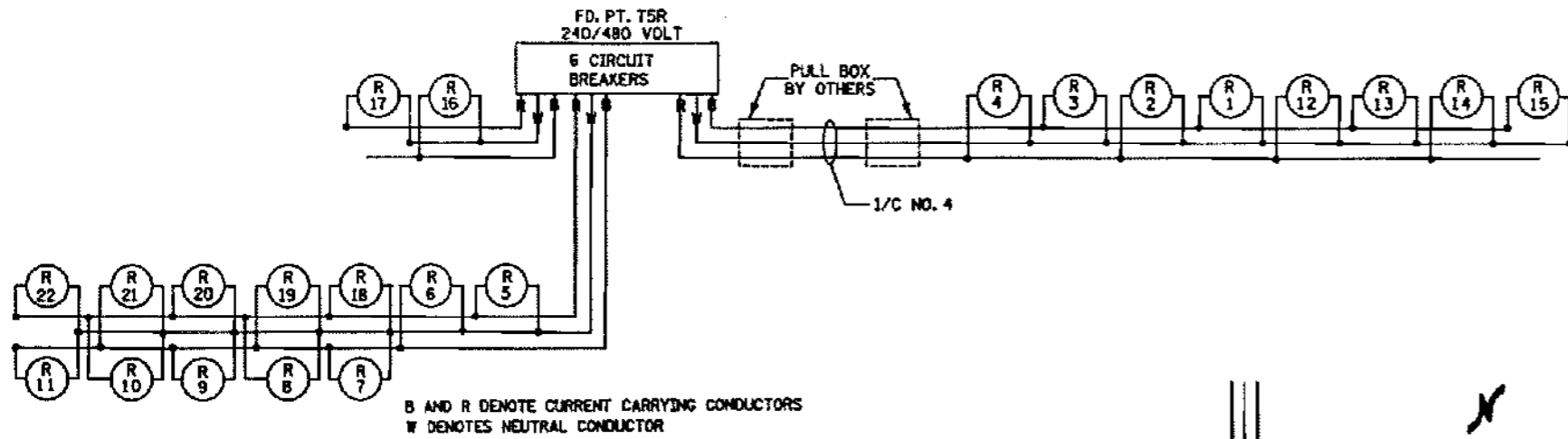
VICTORIA ST & T.H. 36
XCEL ENERGY CO.
METERED
FD. PT. T5P-T5R

LIGHTING PLAN

CERTIFIED BY *Susan J. Ladd* REG. NO. 21180
PROFESSIONAL ENGINEER

State Proj. No. 6212-141 (T.H. 36)

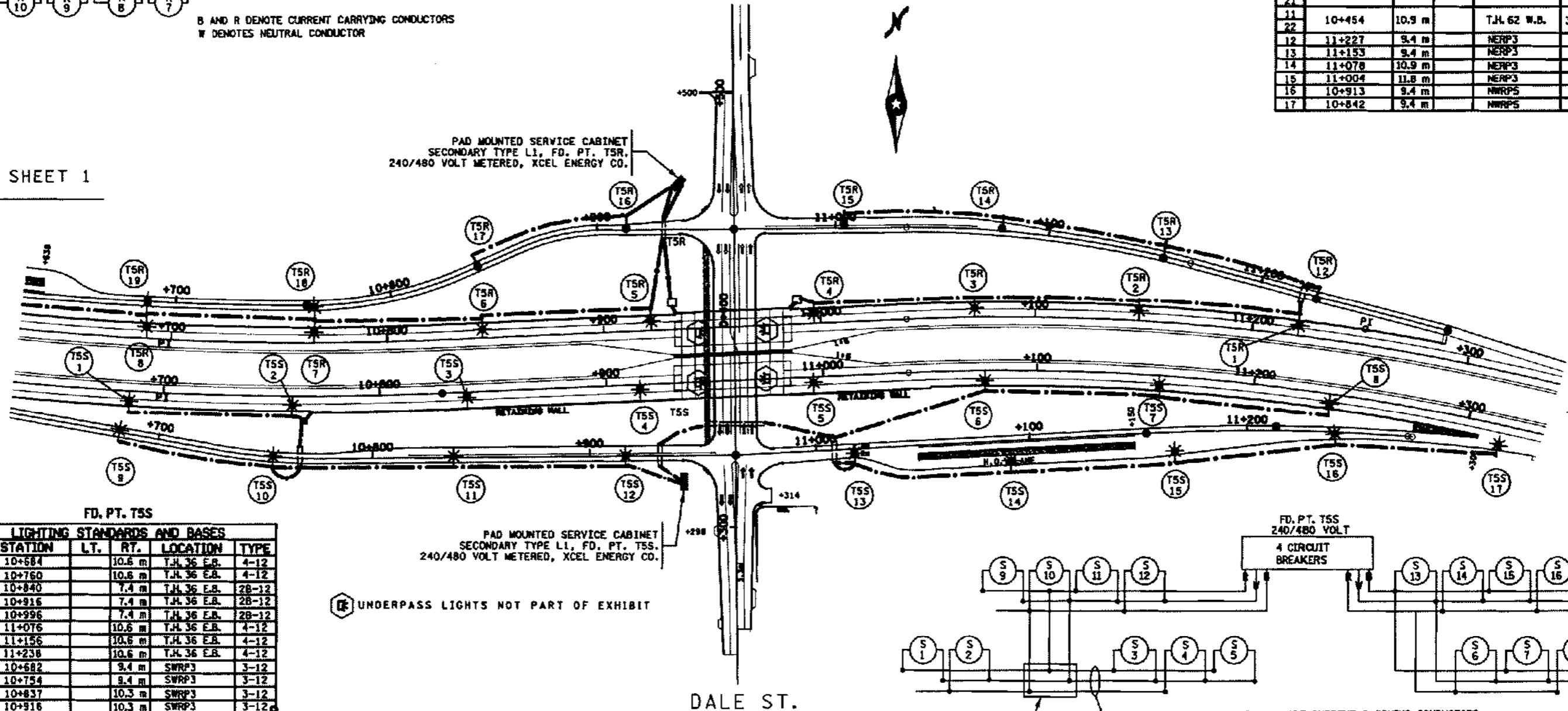
Sheet No. 1 of 2 Sheets



FD. PT. T5R

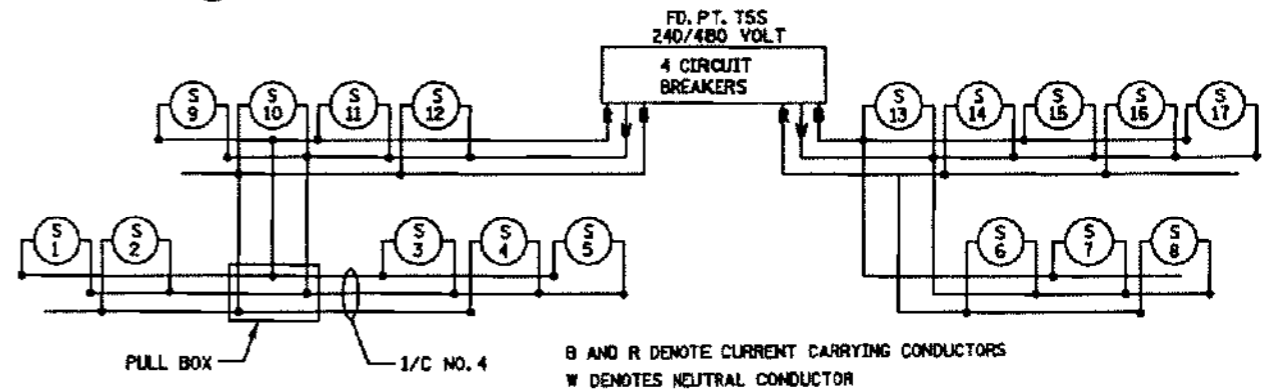
LIGHTING STANDARDS AND BASES					
NO.	STATION	LT.	RT.	LOCATION	TYPE
1	11+222	10.6 m		T.H. 36 W.B.	4-12
2	11+147	10.6 m		T.H. 36 W.B.	4-12
3	11+072	10.6 m		T.H. 36 W.B.	4-12
4	10+997	10.6 m		T.H. 36 W.B.	4-12
5	10+922	10.6 m		T.H. 36 W.B.	4-12
6	10+844	10.6 m		T.H. 36 W.B.	4-12
7	10+766	10.9 m		T.H. 36 W.B.	30-12
8	10+688	10.9 m		T.H. 36 W.B.	30-12
9	10+610	10.9 m		T.H. 36 W.B.	30-12
10	10+532	10.9 m		T.H. 62 W.B.	30-12
11	10+454	10.9 m		T.H. 62 W.B.	30-12
12	11+227	9.4 m		NERP3	3-12
13	11+153	9.4 m		NERP3	3-12
14	11+078	10.9 m		NERP3	3-12
15	11+004	11.8 m		NERP3	3-12
16	10+913	9.4 m		NWRP5	3-12
17	10+842	9.4 m		NWRP5	3-12

SEE SHEET 1



FD. PT. T5S

LIGHTING STANDARDS AND BASES					
NO.	STATION	LT.	RT.	LOCATION	TYPE
1	10+684	10.6 m		T.H. 36 E.B.	4-12
2	10+760	10.6 m		T.H. 36 E.B.	4-12
3	10+840	7.4 m		T.H. 36 E.B.	28-12
4	10+916	7.4 m		T.H. 36 E.B.	28-12
5	10+996	7.4 m		T.H. 36 E.B.	28-12
6	11+076	10.6 m		T.H. 36 E.B.	4-12
7	11+156	10.6 m		T.H. 36 E.B.	4-12
8	11+238	10.6 m		T.H. 36 E.B.	4-12
9	10+682	9.4 m		SWRP3	3-12
10	10+754	9.4 m		SWRP3	3-12
11	10+837	10.3 m		SWRP3	3-12
12	10+916	10.3 m		SWRP3	3-12
13	11+018	11.2 m		SERP4	3-12
14	11+091	17.5 m		SERP4	3-12
15	11+166	17.3 m		SERP4	3-12
16	11+241	10.7 m		SERP4	3-12
17	11+316	19.3 m		T.H. 36 E.B.	4-12



UNDERPASS LIGHTS NOT PART OF EXHIBIT

METER ADDRESS: FD. PT. T5R - 2249 DALE ST.
FD. PT. T5S - DALE ST.

CERTIFIED BY *Susan J. Ladd* REG. NO. 21180

DALE ST. AND T.H. 36
XCEL ENERGY CO., METERED
FD. PT. T5R, T5S

State Proj. No. 6212-141 (T.H. 36)