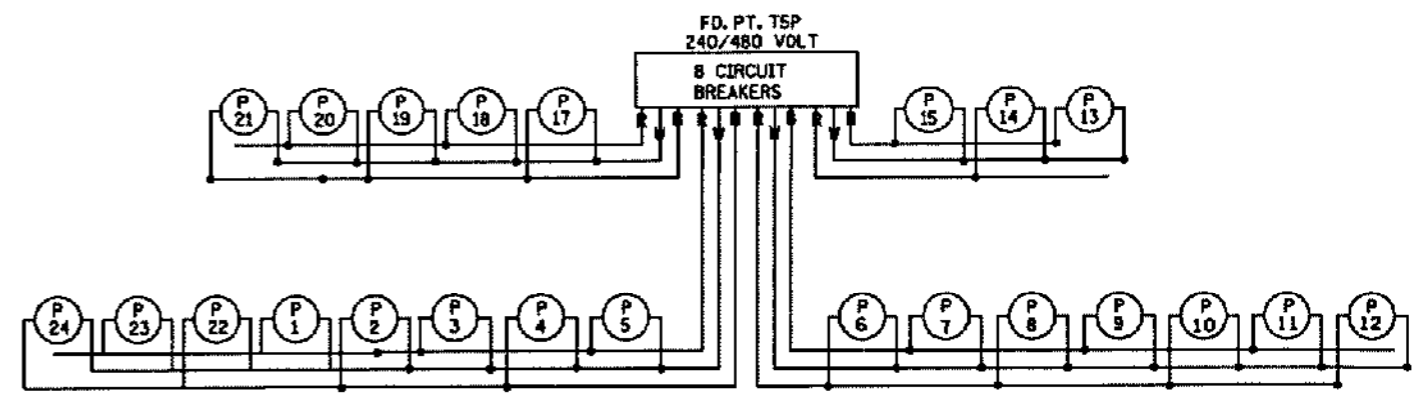
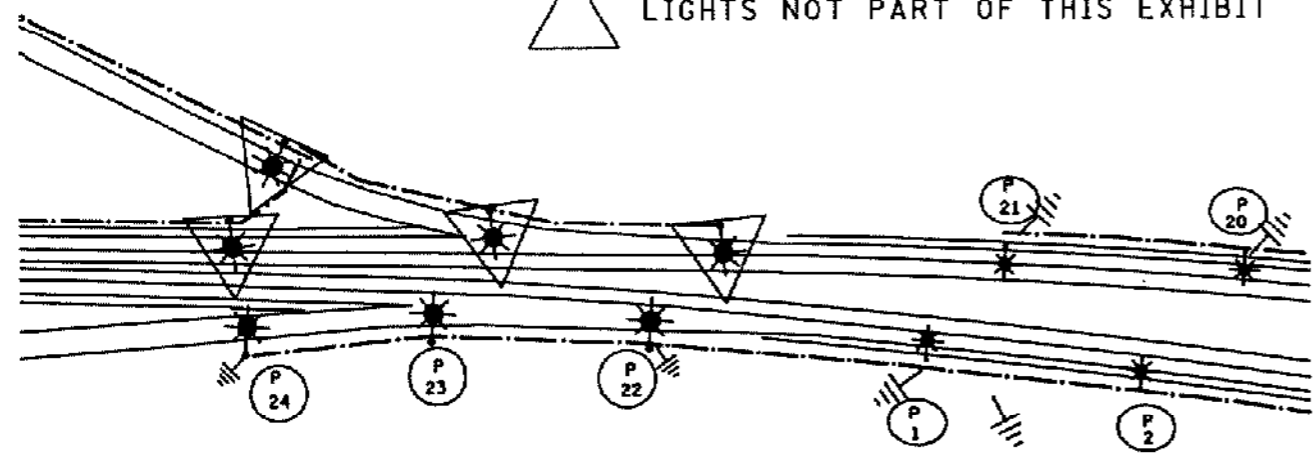
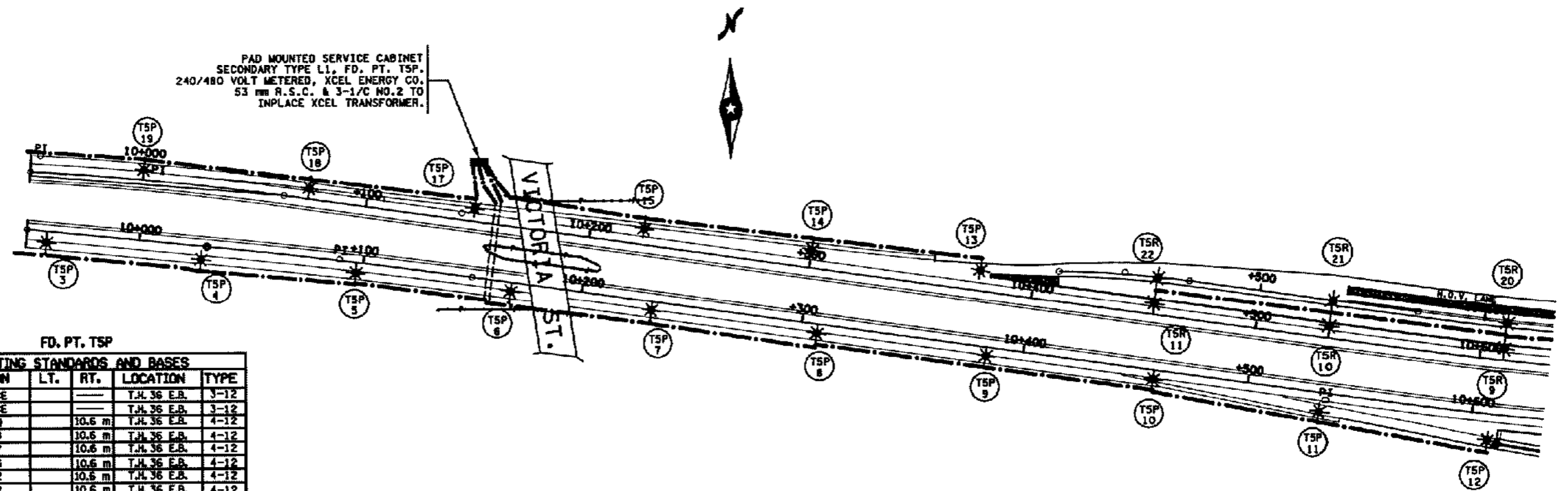


△ LIGHTS NOT PART OF THIS EXHIBIT



B AND R DENOTE CURRENT CARRYING CONDUCTORS
W DENOTES NEUTRAL CONDUCTOR


PAD MOUNTED SERVICE CABINET
SECONDARY TYPE L1, FD. PT. TSP.
240/480 VOLT METERED, XCEL ENERGY CO.
53 mm R.S.C. & 3-1/2" NO.2 TO
INPLACE XCEL TRANSFORMER.



FD. PT. TSP

LIGHTING STANDARDS AND BASES					
NO.	STATION	LT.	RT.	LOCATION	TYPE
2	INPLACE			T.H. 36 E.B.	3-12
2	INPLACE			T.H. 36 E.B.	3-12
3	9+959		10.6 m	T.H. 36 E.B.	4-12
4	10+028		10.6 m	T.H. 36 E.B.	4-12
5	10+097		10.6 m	T.H. 36 E.B.	4-12
6	10+166		10.6 m	T.H. 36 E.B.	4-12
7	10+232		10.6 m	T.H. 36 E.B.	4-12
8	10+307		10.6 m	T.H. 36 E.B.	4-12
9	10+383		10.6 m	T.H. 36 E.B.	4-12
10	10+458		12.0 m	T.H. 36 E.B.	4-12
11	10+533		16.8 m	T.H. 36 E.B.	4-12
12	10+608		22.0 m	T.H. 62 E.B.	4-12
13	10+376	19.0 m		T.H. 62 W.B.	4-12
14	10+300	16.3 m		T.H. 62 W.B.	4-12
15	10+224	14.9 m		T.H. 62 W.B.	4-12
17	10+148	13.3 m		T.H. 62 W.B.	4-12
18	10+074	11.6 m		T.H. 62 W.B.	4-12
19	10+000	10.6 m		T.H. 62 W.B.	4-12
20	INPLACE			T.H. 62 W.B.	3-12
21	INPLACE			T.H. 62 W.B.	3-12
22	INPLACE			T.H. 62 E.B.	3-12
23	INPLACE			T.H. 62 E.B.	3-12
24	INPLACE			T.H. 62 E.B.	3-12

VICTORIA ST & T.H. 36
XCEL ENERGY CO.
METERED
FD. PT. T5P



LIGHTING PLAN

CERTIFIED BY *Steven J. Latala* REG. NO. 21180
PROFESSIONAL ENGINEER