

DISTRICT #: Metro
 PLOT NAME: 12758-74.lt-AB
 PATH & FILENAME: Projects\DM罗斯077\2758074\TrafficLighting\2758-74.lt-AB.dgn
 PLOTTED/REVISED: 6-DEC-2018

R.P. 007+00.909
END S.P. 2758-74

FD. PT. T2J
PAD MOUNTED SERVICE CABINET
SECONDARY TYPE L1
240/480 V (METERED)
EQUIPMENT PAD TYPE B REQUIRED
2" R.S.C. 3- 1/C #2 TO XCEL
PAD MOUNTED TRANSFORMER.

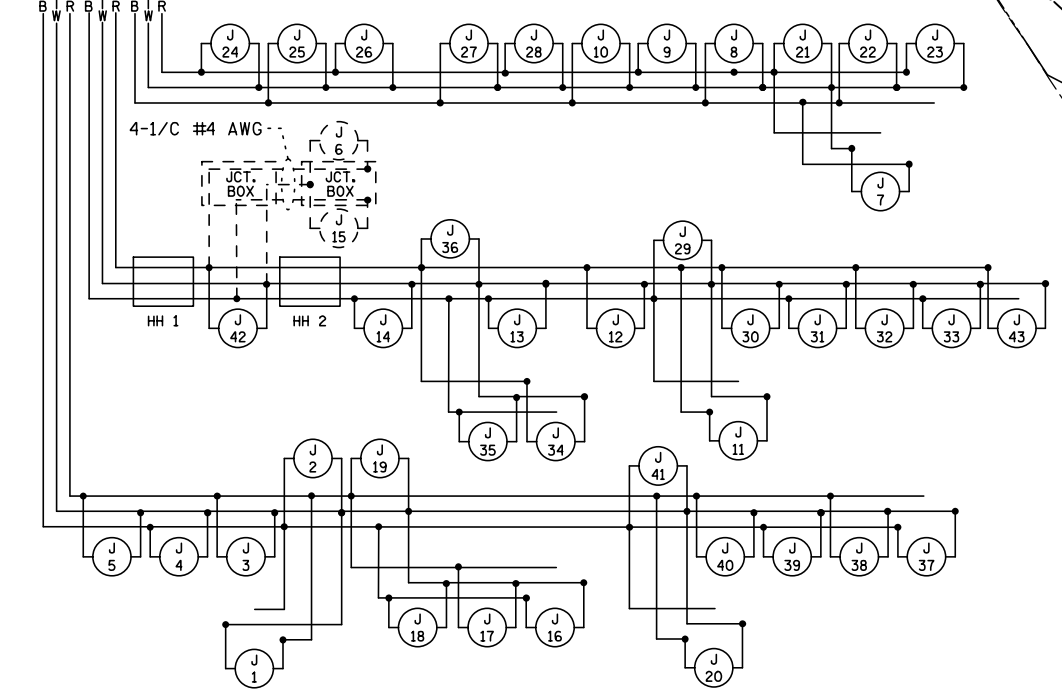


LEGEND

- LIGHTING UNIT
- PERMANENT GROUND ROD (25 OHMS OR LESS)
- DIRECT BURIED CABLE 4 CONDUCTOR NO. 4
- FD. PT. CABINET
- HANDHOLE (HH)
- 3" PVC DIRECTIONAL BORE (UNLESS OTHERWISE NOTED)
- INPLACE TYPE L LIGHTING UNIT
- INPLACE LIGHTING UNIT

DASHED LINES DENOTE INPLACE ITEMS
W DENOTES NEUTRAL CONDUCTOR
B AND R DENOTE CURRENT CARRYING CONDUCTORS
FD. PT. T2J
240/480 VOLT

4 - 2 POLE
BREAKERS



AS-BUILT

FEEDPOINT T2J LIGHTING UNIT LOCATION AND TYPE						
NO.	STATION	LT. RT.	LOCATION	TYPE	FOUNDATION	
(1)	1	1192+90	-	NB T.H. 77	9-49	H
	2	1195+65	-			
	3	1198+40	-			
	4	1201+20	-			
(1)	5	1203+90	-		9-49	H
	6	INPLACE	-		L	-
(1)	7	1206+85	-		9-49	H
	8	1209+55	-			
	9	1212+25	-			
	10	1214+95	-	NB T.H. 77		
	11	1213+00	-	SB T.H. 77		
	12	1210+70	-			
(1)	13	1208+40	-			
	14	1206+10	-		9-49	H
(1)	15	INPLACE	-		L	-
	16	1203+50	-		9-49	H
	17	1200+75	-			
	18	1198+00	-			
	19	1195+25	-			
(1)	20	1192+50	-	SB T.H. 77	9-49	H
	21	1+40	-	NE LOOP	9-40	E
	22	3+50	-	NE LOOP		
	23	5+05	-	NE LOOP		
	24	0+65	-	NE RAMP		
	25	3+00	-			
	26	5+00	-			
	27	7+00	-			
	28	9+00	-	NE RAMP		
	29	8+80	-	NW RAMP		
	30	6+85	-			
	31	4+90	-			
	32	2+30	-			
	33	0+80	-	NW RAMP		
	34	1+05	-	NW LOOP		
	35	4+25	-	NW LOOP		
	36	6+90	-	NW LOOP		
	37	65+40	-	EB OLD SHAKOPEE		
	38	9+80	-	SW RAMP		
	39	7+40	-			
	40	5+10	-			
	41	2+80	-	SW RAMP	9-40	E
	42	71+00	-	WB OLD SHAKOPEE	6B-40	INPLACE
	43	66+95	-	WB OLD SHAKOPEE	9-40	E

(1) INSTALL SALVAGED LUMINAIRE

BY	DATE	REVISIONS
JP	12-6-18	ALL COMPONENTS ARE GPS'd
DRAWN BY: JC		CKD BY: PB

FEEDPOINT: T2J LOCATION: HIGHWAY 77 AT E. OLD SHAKOPEE RD.
 METER ADDRESS: 8370 CEDAR AVENUE, BLOOMINGTON, MN 55425

CERTIFIED BY *Michael P. Dubinsky* LIC. NO. 19863 DATE: 6-DEC-2018
LICENSED PROFESSIONAL ENGINEER

LIGHTING PLAN

STATE PROJ. NO. 2758-74 (T.H. 77) SHEET NO. 12 OF 16 SHEETS
 STATE PROJ. NO. 1925-64 (T.H. 77)