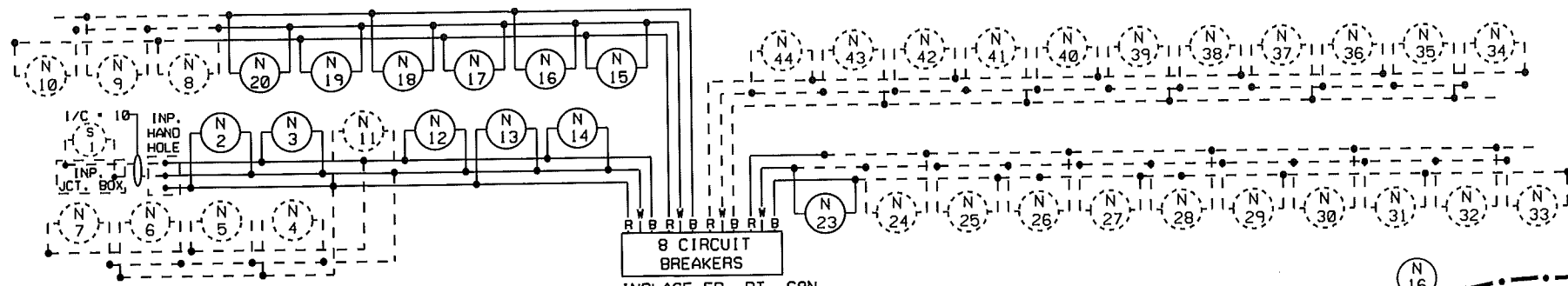
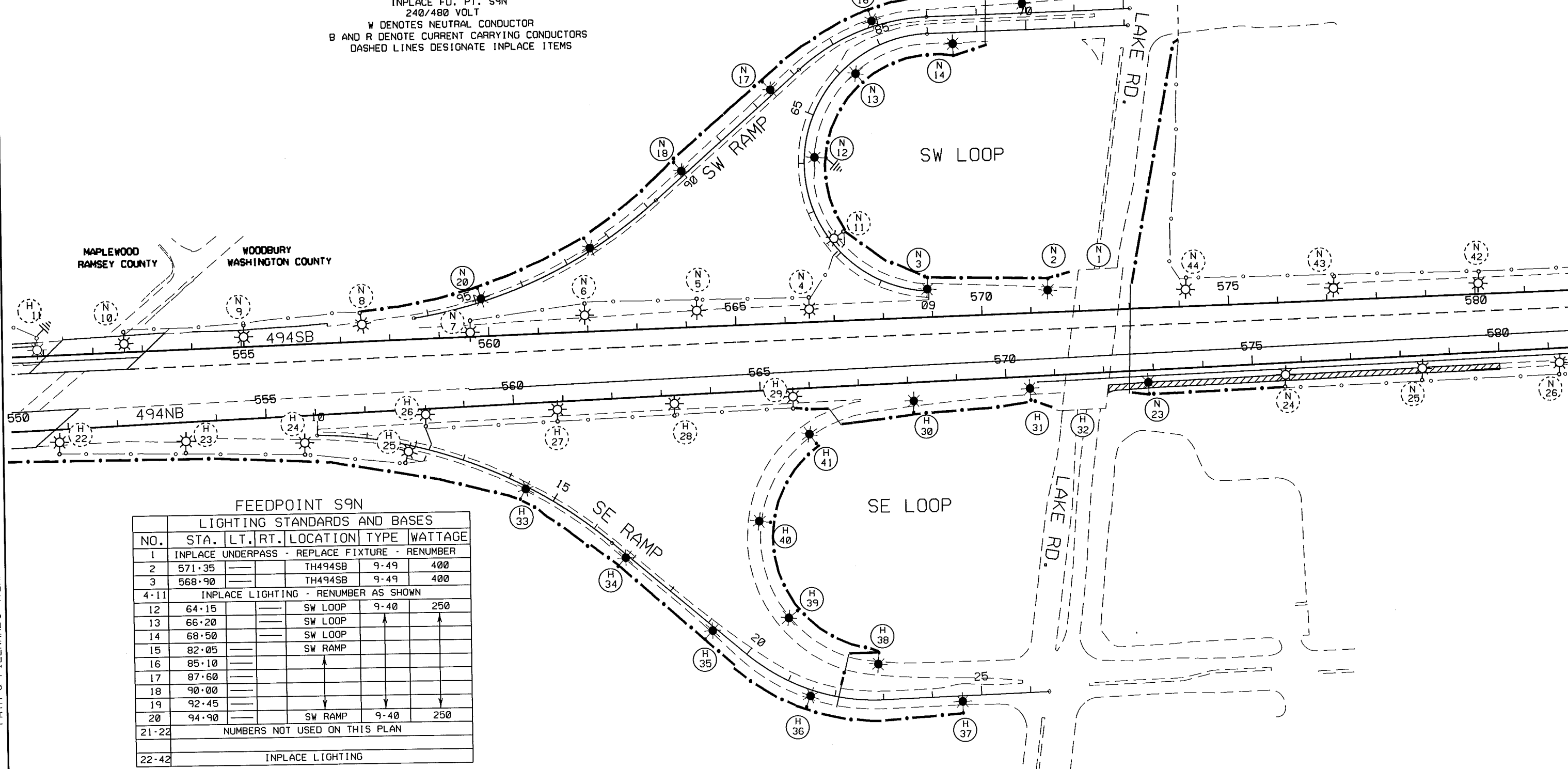


PLOTTED/REVISED 7/26/2010

DISTRICT 4-METRO  
 IPLOT NAME: T8285-93\_L01-3.LI  
 PATH & FILENAME: C:\TEMP\T8285-93\_L01-3.LI.DGN



FEEDPOINT S9N  
 PAD MOUNTED SOURCE OF POWER  
 SERVICE CABINET SECONDARY TYPE L2  
 240/480 V ( METERED )  
 2" R.S.C. & 3-1/2" FROM SERVICE  
 CABINET TO XCEL TRANSFORMER  
 EQUIPMENT PAD B REQUIRED



FEEDPOINT S9N

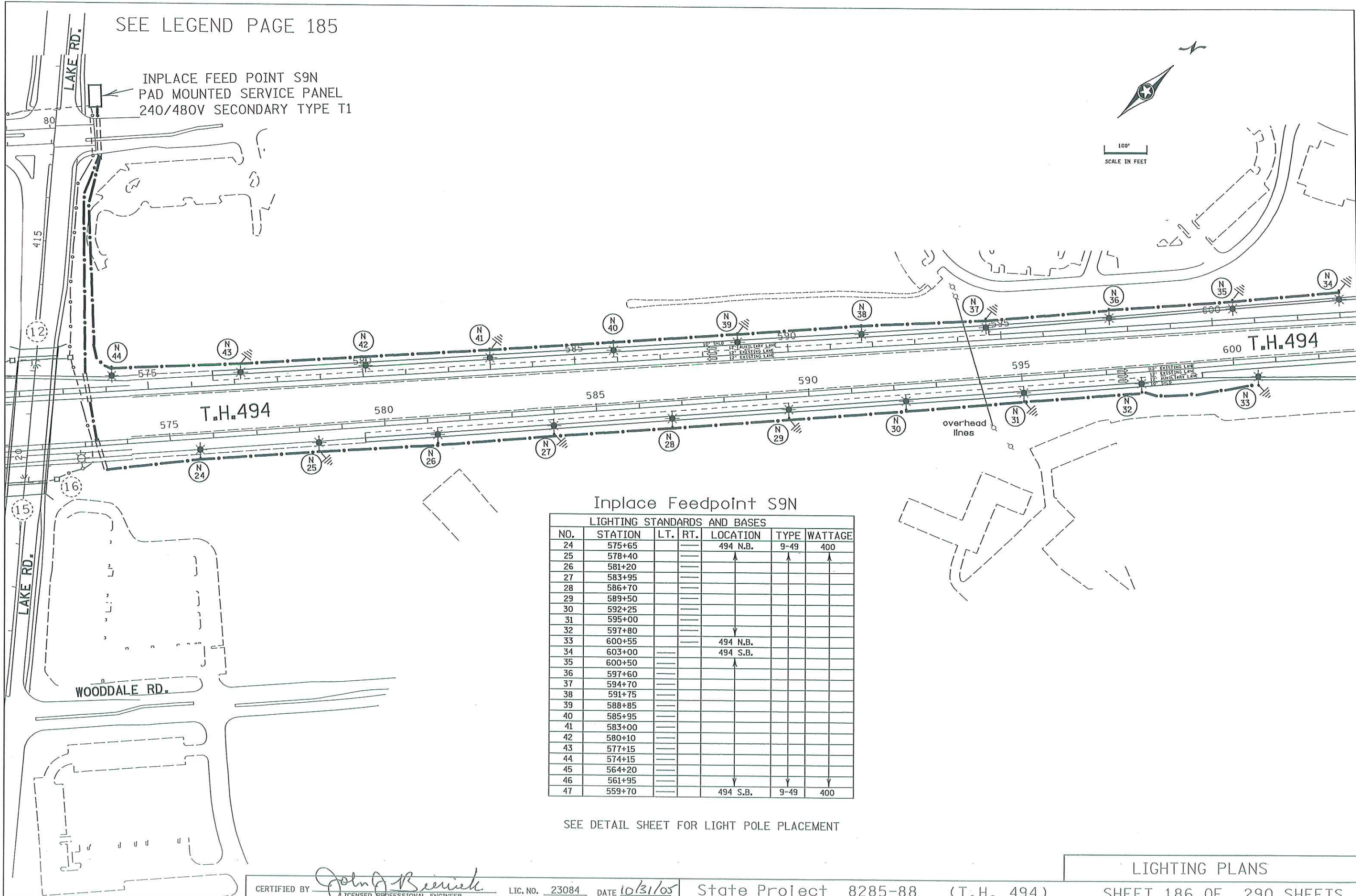
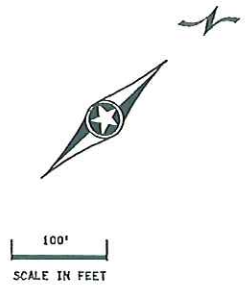
LIGHTING STANDARDS AND BASES						
NO.	STA.	LT.	RT.	LOCATION	TYPE	WATTAGE
1	INPLACE UNDERPASS - REPLACE FIXTURE - RENUMBER					
2	571.35			TH494SB	9-49	400
3	568.90			TH494SB	9-49	400
4-11	INPLACE LIGHTING - RENUMBER AS SHOWN					
12	64.15			SW LOOP	9-40	250
13	66.20			SW LOOP		
14	68.50			SW LOOP		
15	82.05			SW RAMP		
16	85.10					
17	87.60					
18	90.00					
19	92.45					
20	94.90			SW RAMP	9-40	250
21-22	NUMBERS NOT USED ON THIS PLAN					
22-42	INPLACE LIGHTING					

BY	DATE	REVISIONS	SYSTEM ID:	LIGHTING PLAN	
JP	7/26/10	UPDATED PRINT.			
DRAWN BY: NS	CKD BY: GB	DATE:	CERTIFIED BY _____	LIC. NO. 19863	DATE: _____
			STATE PROJ. NO. 8285-93 (T.H. 494) SHEET NO. 311 OF 341 SHEETS		

SEE LEGEND PAGE 185

INPLACE FEED POINT S9N  
PAD MOUNTED SERVICE PANEL  
240/480V SECONDARY TYPE T1

PLOTTED/REVISED: 10-26-05



Inplace Feedpoint S9N

LIGHTING STANDARDS AND BASES						
NO.	STATION	LT.	RT.	LOCATION	TYPE	WATTAGE
24	575+65			494 N.B.	9-49	400
25	578+40					
26	581+20					
27	583+95					
28	586+70					
29	589+50					
30	592+25					
31	595+00					
32	597+80					
33	600+55			494 N.B.		
34	603+00			494 S.B.		
35	600+50					
36	597+60					
37	594+70					
38	591+75					
39	588+85					
40	585+95					
41	583+00					
42	580+10					
43	577+15					
44	574+15					
45	564+20					
46	561+95					
47	559+70			494 S.B.	9-49	400

SEE DETAIL SHEET FOR LIGHT POLE PLACEMENT

DISTRICT TRO  
PLOT NAME: 8825-85 1o2

CERTIFIED BY

*John A. Beerick*  
LICENSED PROFESSIONAL ENGINEER

LIC. NO. 23084

DATE 10/31/05

State Project 8285-88 (T.H. 494)

LIGHTING PLANS

SHEET 186 OF 290 SHEETS