

SHEET TOTAL

- 13 - 400 WATT HIGH PRESSURE SODIUM LIGHTING UNITS
- 10 - 250 WATT HIGH PRESSURE SODIUM UNDERPASS LIGHTS
- 13 - 200 WATT HIGH PRESSURE SODIUM LIGHTING UNITS
- 19 - 250 WATT MERCURY VAPOR SIGN LIGHTS

**EXHIBIT 221E
JCT. T.H. 494 & T.H. 52
IN INVER GROVE HEIGHTS
N.S.P.**

FD. PT. S8J, S8H

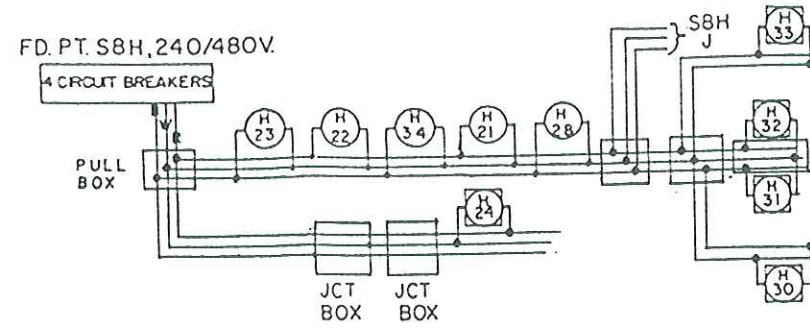
FD PT. S8H, 240/480V.

LIGHT STANDARDS & BASES

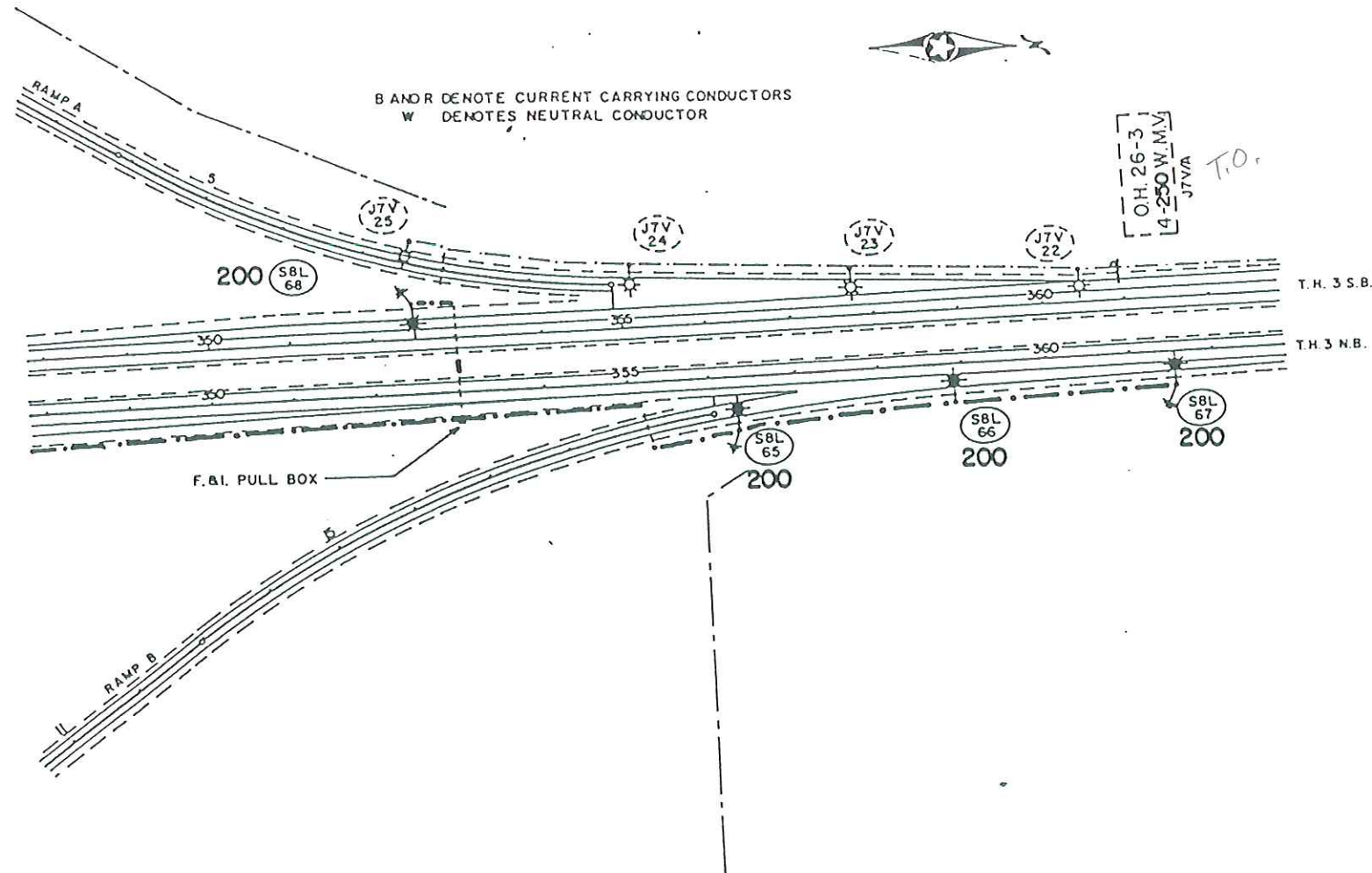
NO.	STATION	LT	RT.	LOCATION	TYPE
21	282+60	-	-	E.B.C-DROAD	9-49
22	280+00	-	-		9-49
23	277+50	-	-		9-49
(1) 24	275+20	-	-		L
25	272+60	-	-		9-49
26	270+10	-	-		9-49
27	267+60	-	-	E.B.C-D ROAD	9-49
28	SB 343+40	-	-	T.H. 3	9-40
29	SB 341+10	-	-	T.H. 3	4B-40
(1) 30	284+80	-	-	E.B.C-DROAD	L
(1) 31	E.B.284+80	-	-	T.H.494	L
(1) 32	W.B.284+80	-	-	T.H.494	L
(1) 33	284+80	-	-	W.B.C-DROAD	L
34	2+00	-	-	LOOP A	6-40

(1) UNDERPASS UNIT, 200 WATT HIGH PRESSURE SODIUM.
 LOCATE 40' POLES 9' BEHIND EDGE OF SHOULDER OR AS DIRECTED BY THE ENGINEER.
 LOCATE 50' POLES 11' BEHIND EDGE OF SHOULDER OR AS DIRECTED BY THE ENGINEER.

FD. PT. S8H, 240/480V.



O.H. J7V/A (26-3) &
 LIGHTING UNITS J7V/22, 23, 24 & 25 ARE
 NOT PART OF THIS EXHIBIT. (SEE EX. 167).



SHEET TOTAL
 4 - 200 WATT HIGH PRESSURE SODIUM LIGHTING UNITS

CERTIFIED COPY
 SEP 27 1985

EXHIBIT 221 E
 T.H. 52 N OF T.H. 494
 IN INVER GROVE HEIGHTS
 N.S.P.

FD.PT. S8L

State Proj. No. 1985-85(T.H.494-393)

Sheet No. 3 of 5