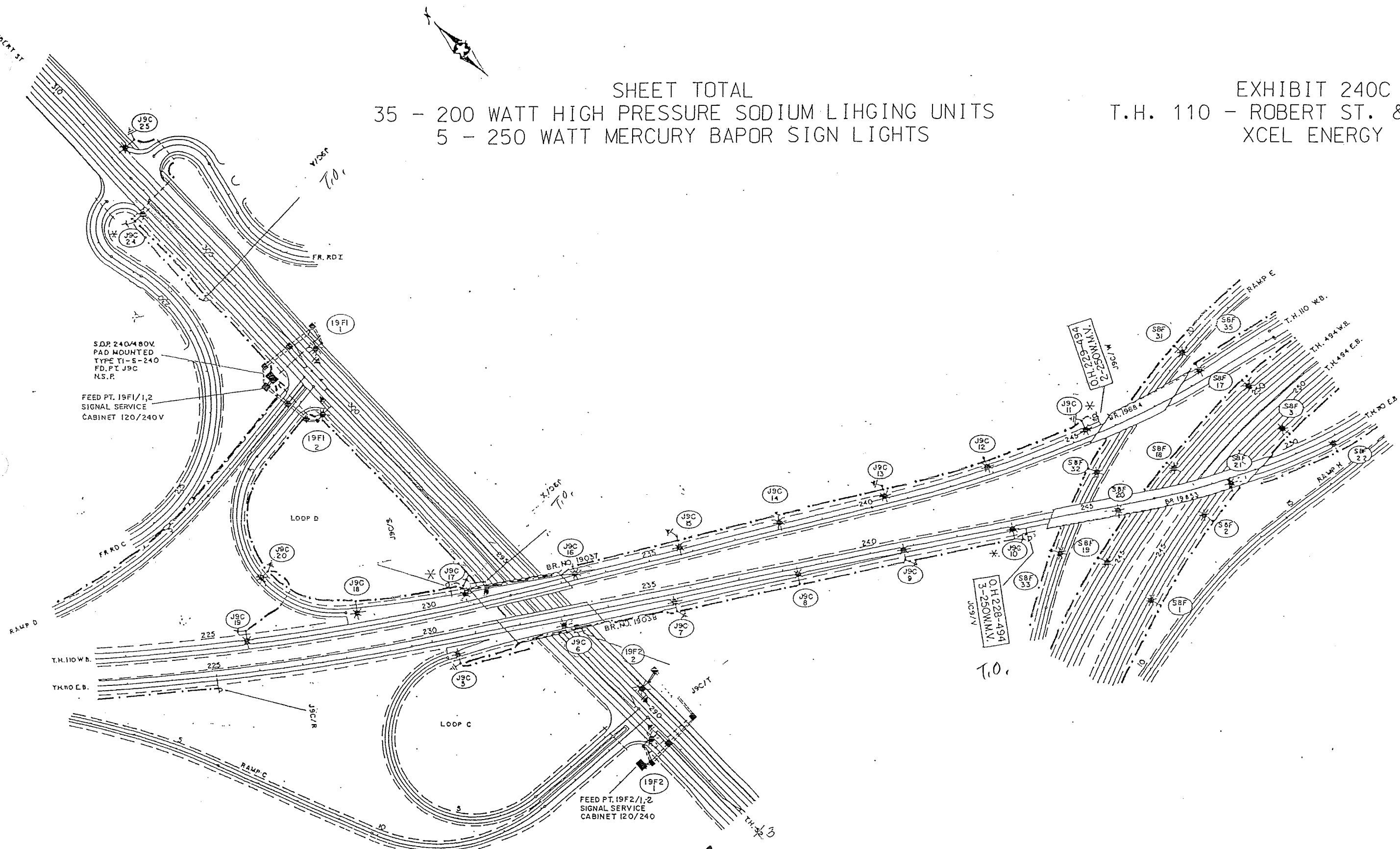
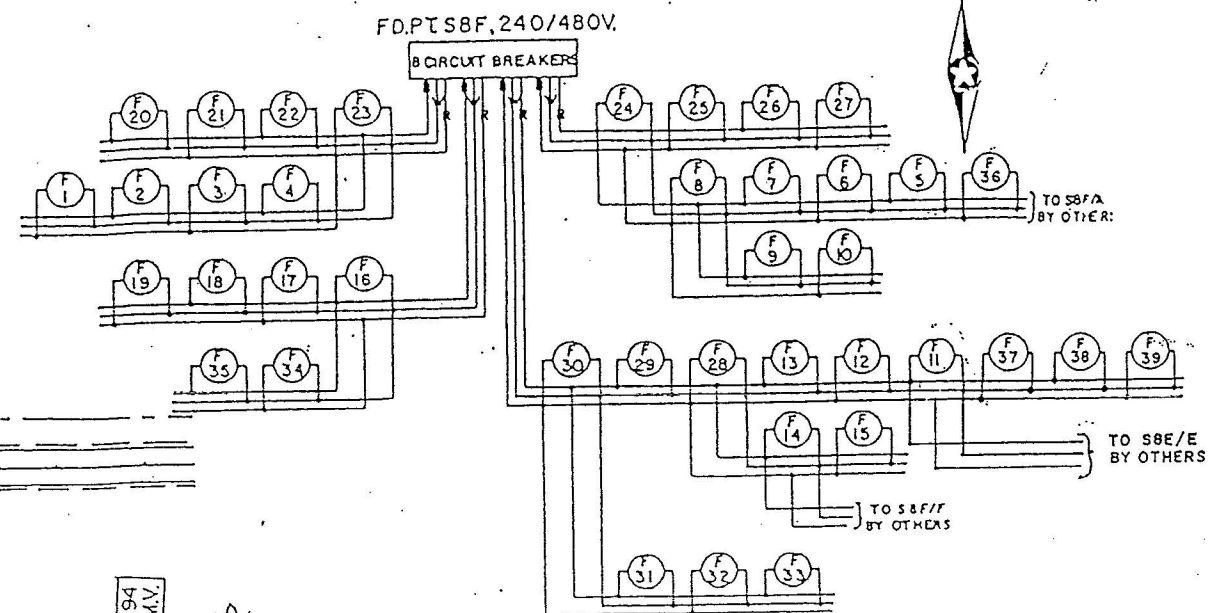
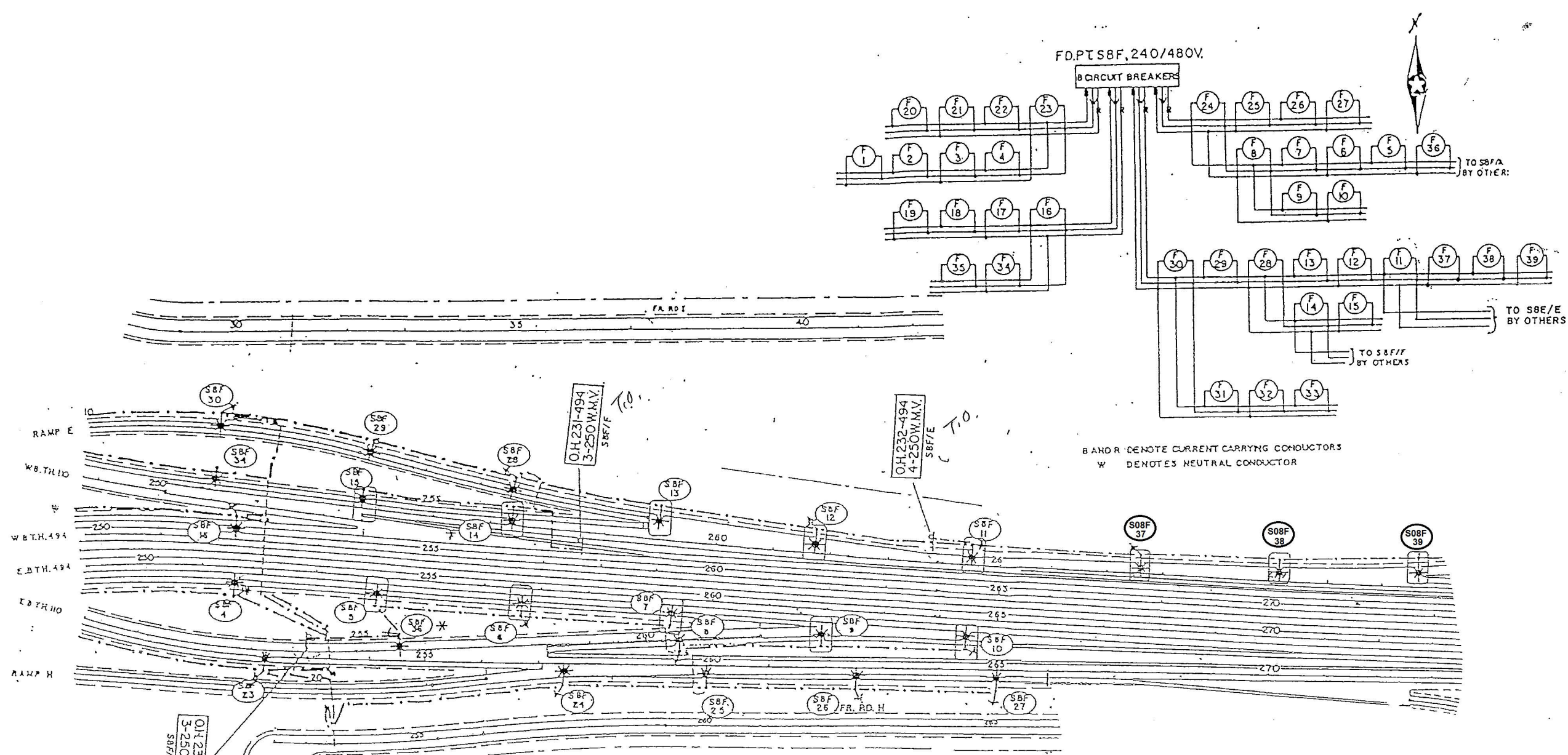


SHEET TOTAL  
 35 - 200 WATT HIGH PRESSURE SODIUM LIGHTING UNITS  
 5 - 250 WATT MERCURY VAPOR SIGN LIGHTS

EXHIBIT 240C  
 T.H. 110 - ROBERT ST. & T.H. 494  
 XCEL ENERGY





B AND R DENOTE CURRENT CARRYING CONDUCTORS  
W DENOTES NEUTRAL CONDUCTOR

S.O.P. 240/480V.  
PAD MOUNTED  
T1-S-240  
S08F

FD. PT. S8F, 240/480V.  
LIGHT STANDARDS & BASES

NO.	STATION	LT.	RT.	LOCATION	TYPE	NO.	STATION	LT.	RT.	LOCATION	TYPE
1	E.B. 243+90			T.H. 494	9-40	19	W.B. 244+75			T.H. 494	9-40
2	E.B. 246+30					20	E.B. 245+70				6B-40 (1)
3	E.B. 249+00					21	E.B. 248+45				6B-40 (1)
4	E.B. 251+60				9-40	22	E.B. 250+90				6-40
5	E.B. 254+10				9-49	23	E.B. 253+30			T.H. 494	6-40
6	E.B. 256+70				9-49	24	257+40			RAMP H	9-40
7	E.B. 259+30			T.H. 494	9-49	25	259+90				
8	260+60			T.H. 110	6-40	26	262+60				
9	E.B. 261+90			T.H. 494	9-49	27	265+00			RAMP H	9-40
10	E.B. 264+50			T.H. 494		28	2+40			RAMP E	6-40
11	W.B. 264+50			T.H. 110		29	5+00				
12	W.B. 261+75					30	7+70				
13	W.B. 259+00					31	10+50				
14	W.B. 256+40					32	13+90				
15	W.B. 253+70			T.H. 110	9-49	33	16+00			RAMP E	6-40
16	W.B. 252+40			T.H. 494	9-40	34	W.B. 251+10			T.H. 110	9-40
17	W.B. 250+00			T.H. 494	9-40	35	W.B. 248+30			T.H. 110	9-40
18	W.B. 247+30			T.H. 494	9-40	36	E.B. 255+70			T.H. 110	9-40

NO.	STATION	LT.	RT.	LOCATION	TYPE
37	267+60			E.B.C. ROAD	9-49
38	270+10			"	9-49
39	272+60			"	9-49

(1) BRIDGE MOUNTED, ANCHORAGE INP.

EXHIBIT 240C  
T.H. 494 - T.H. 110 TO BABCOT TR.  
XCEL ENERGY